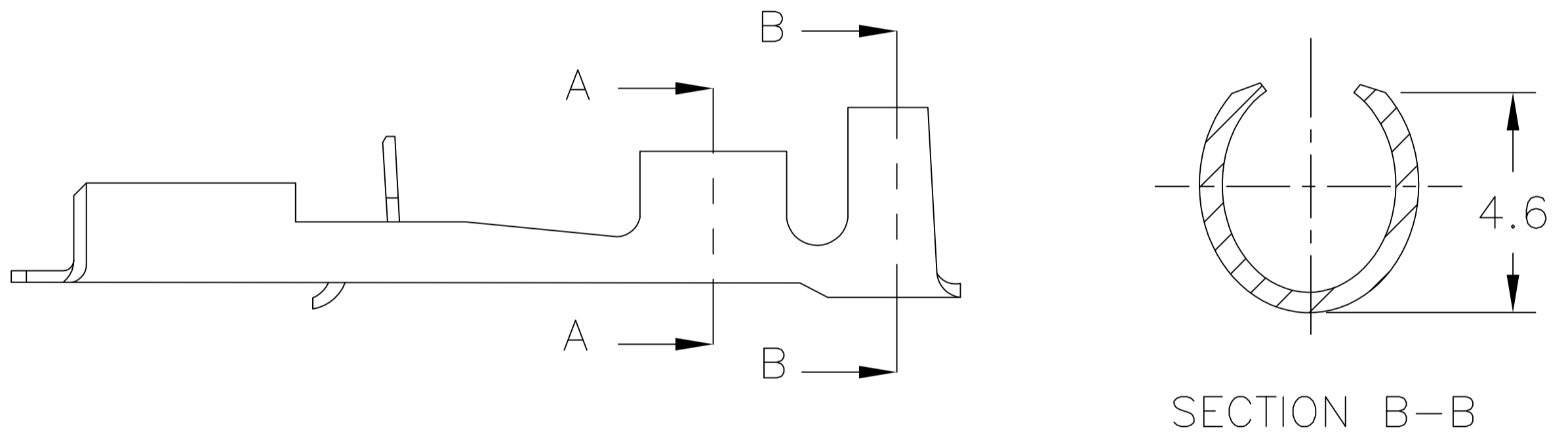
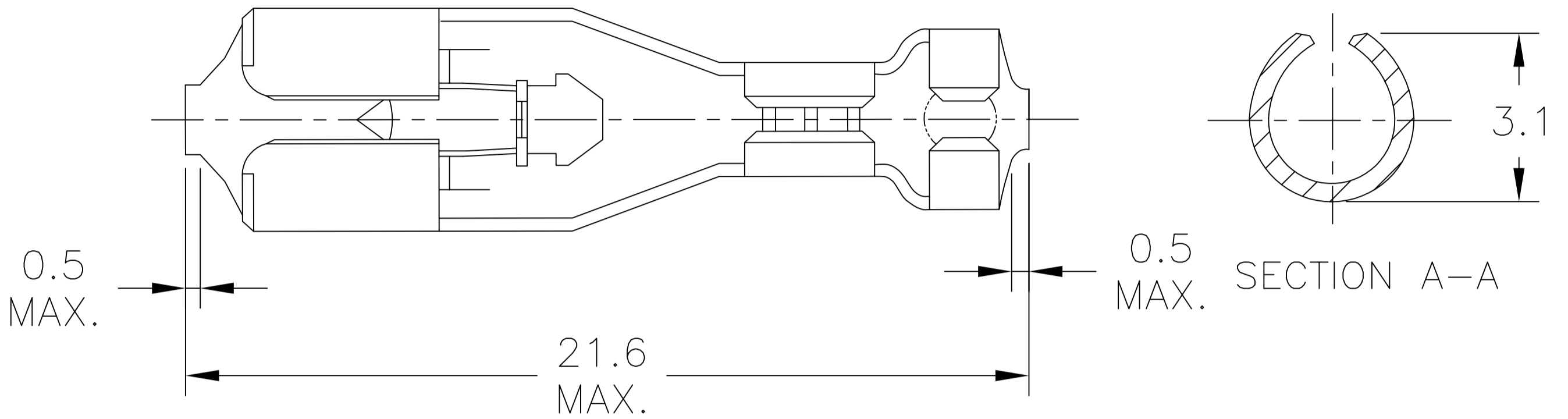


REVISIONS				
P	LTR	DESCRIPTION	DATE	APVD
	D2	REDRAWN PER ECR-17-011185	04AUG2017	RS HG



NOTE: THIS TERMINAL IS APPLIED FOR ONE WIRE CRIMPING

RELEASED FOR PUBLICATION

ALL RIGHTS RESERVED.

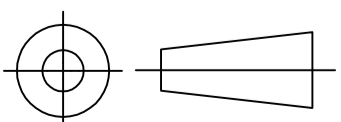
THIS DRAWING IS UNPUBLISHED.

© COPYRIGHT - TE Connectivity

411-5262	753899-1	170325-2	POST NICKEL, PHOSPHOR BRONZE	170331-2
411-5262	753899-1	170325-1	PRE-TIN, BRASS	170331-1
INSTRUCTION SHEET	HAND TOOL	STRIP P/N	MATERIAL	PART NO.

INSULATION DIA: 1.9-3.4mm | WIRE RANGE: 0.51-1.38mm²(AWG#20-#16)

DIMENSIONS: mm	DWN RAVI S	08AUG2017	MATERIAL SEE TABLE	FINISH SEE TABLE	
	CHK GUO HOGAN	08AUG2017	TE Connectivity		
TOLERANCES UNLESS OTHERWISE SPECIFIED:	APVD GUO HOGAN	08AUG2017			NAME 187 SERIES POS LOCK RECEPT LP
	PRODUCT SPEC	—			SIZE A4
0 PLC ± -	APPLICATION SPEC	—	CAGE CODE 00779	DRAWING NO C=170331	RESTRICTED TO —
1 PLC ± 0.4	WEIGHT	—	SCALE 4:1	SHEET 1 of 1	REV D2
2 PLC ± -	CUSTOMER DRAWING				
3 PLC ± -					
4 PLC ± -					
ANGLES ± -					



Mouser Electronics

Authorized Distributor

Click to View Pricing, Inventory, Delivery & Lifecycle Information:

[TE Connectivity:](#)

[170331-1](#)