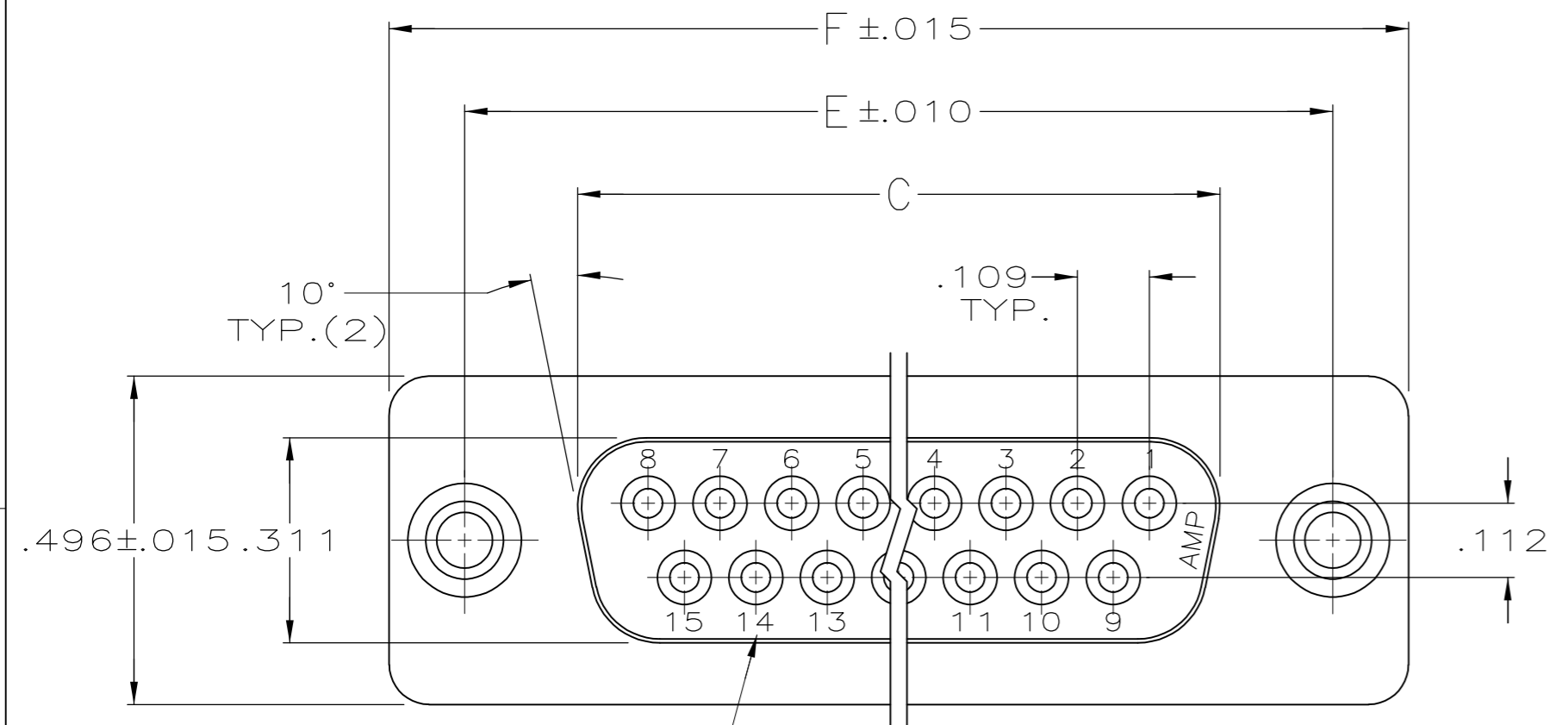
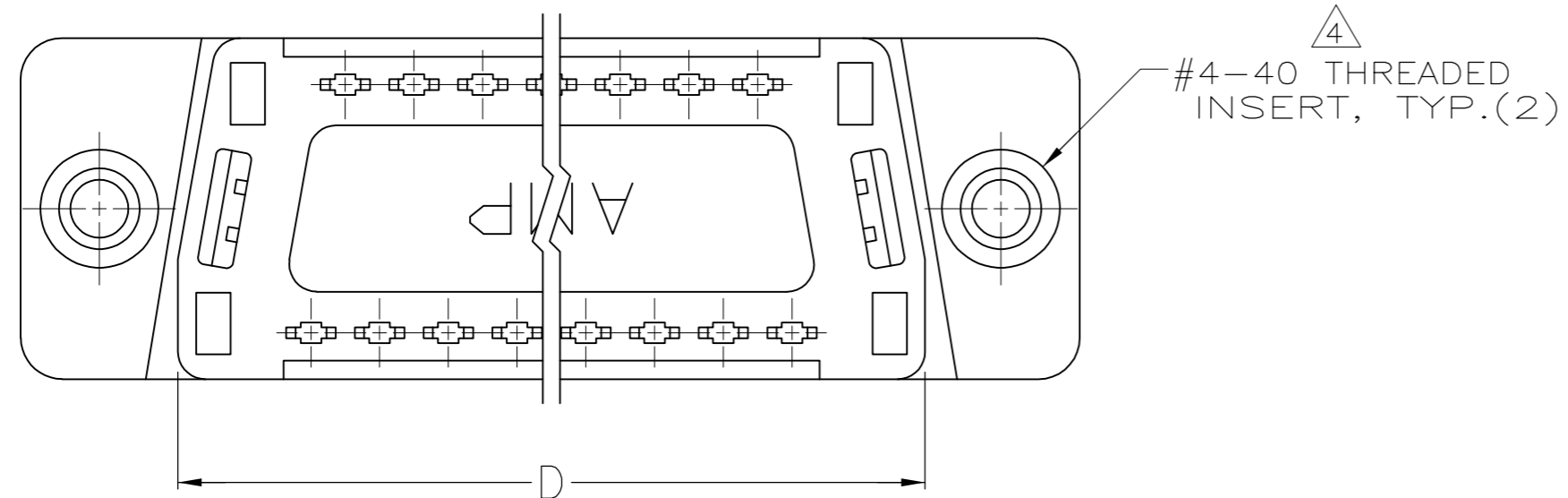
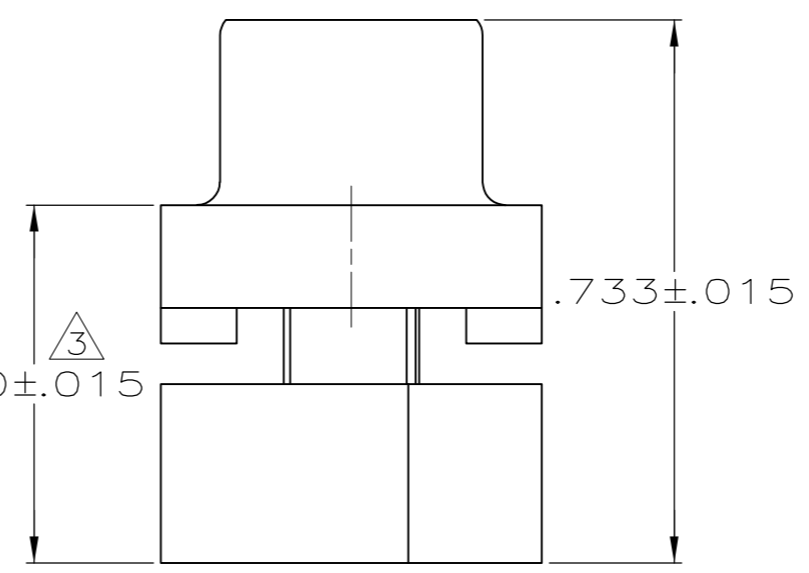
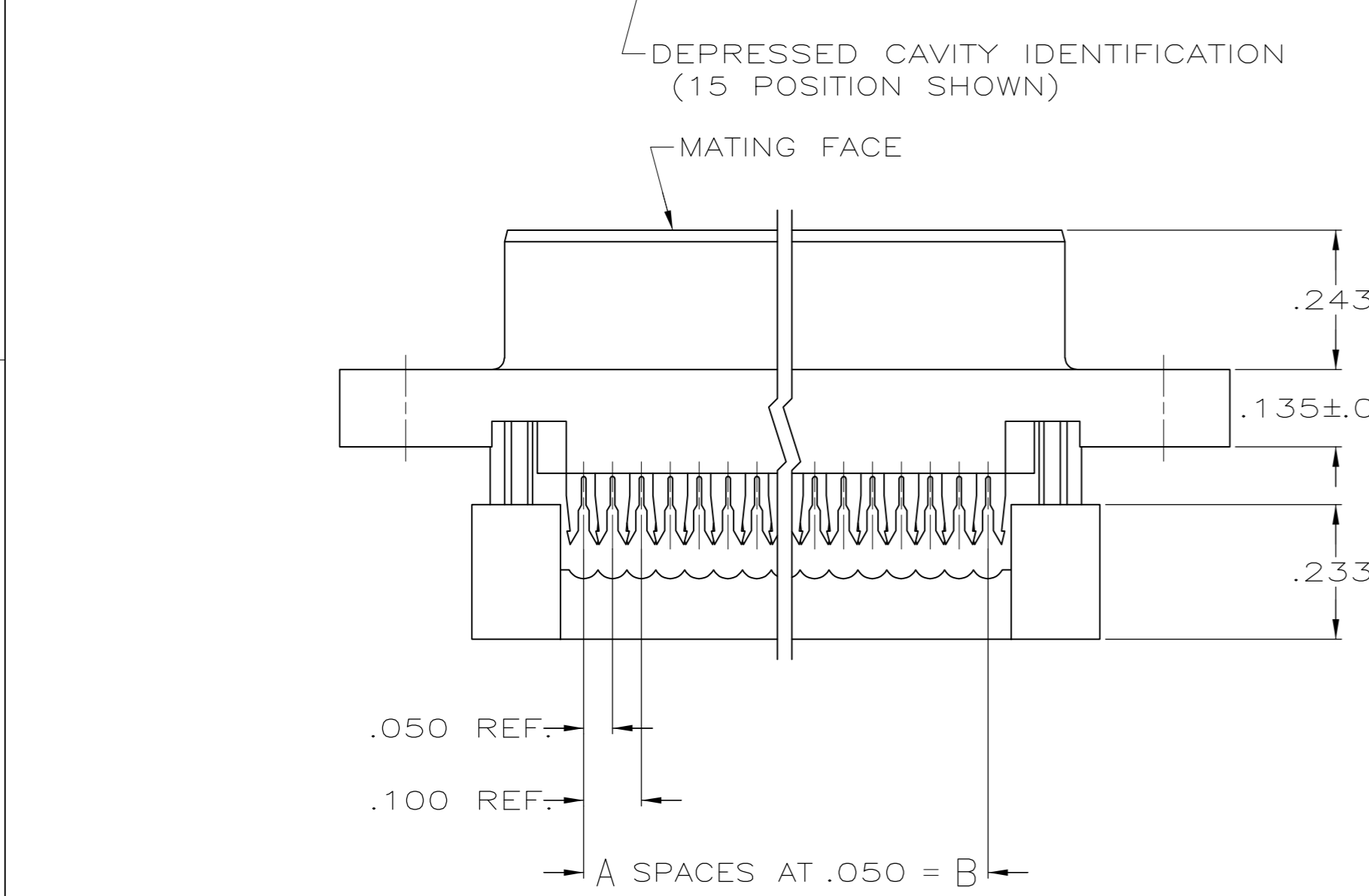


THIS DRAWING IS UNPUBLISHED. RELEASED FOR PUBLICATION  
 © COPYRIGHT - By - ALL RIGHTS RESERVED.

LOC		DIST		REVISIONS			
P	LTR	DESCRIPTION		DATE	DWN	APVD	
GP	00	A2	REVISED PER ECO-11-004835		11MAR11	RK	HMR



1. CONNECTORS COMPLY WITH AMP SPEC. 108-40012 AND MATE WITH ANY SAME NUMBER POSITION PLUG CONNECTOR IN AMPLIMITE SERIES.
2. CONNECTOR DESIGNED FOR 28 AND 26 AWG STRANDED AND SOLID CONDUCTOR RIBBON CABLE ON .050 $\phi$ .
3. DIMENSION APPLIES TO TERMINATED CONNECTOR.
4. INSERTS WILL WITHSTAND 6 IN. LBS. TORQUE AND 50 LBS. PULL OUT FORCE FROM MATING FACE SIDE.
5. MOLDED PARTS: FLAME RETARDANT 94V-0 RATED THERMOPLASTIC; COLOR: BLACK.
6. PHOS. BRONZE PER QQ-B-750.
7. BRASS PER MIL-C-50.
8. GOLD PLATING PER MIL-G-45204, TIN PLATING PER MIL-T-10727, NICKEL PLATING PER QQ-N-290.
9. PLATED WITH .000030 GOLD IN LOCALIZED GOLD PLATE AREA, .000100- .000200 MATTE TIN ON TERMINATION END, ALL OVER .000050 NICKEL ON ENTIRE CONTACT.



1.216	.984	.759	.643	.400	8	9	1658609-4
1.541	1.312	1.087	.971	.700	14	15	1658609-3
2.090	1.852	1.623	1.511	1.200	24	25	1658609-2
2.732	2.500	2.275	2.591	1.800	36	37	1658609-1
F	E	D	C	B	A	NO.OF POS.	PART NUMBER

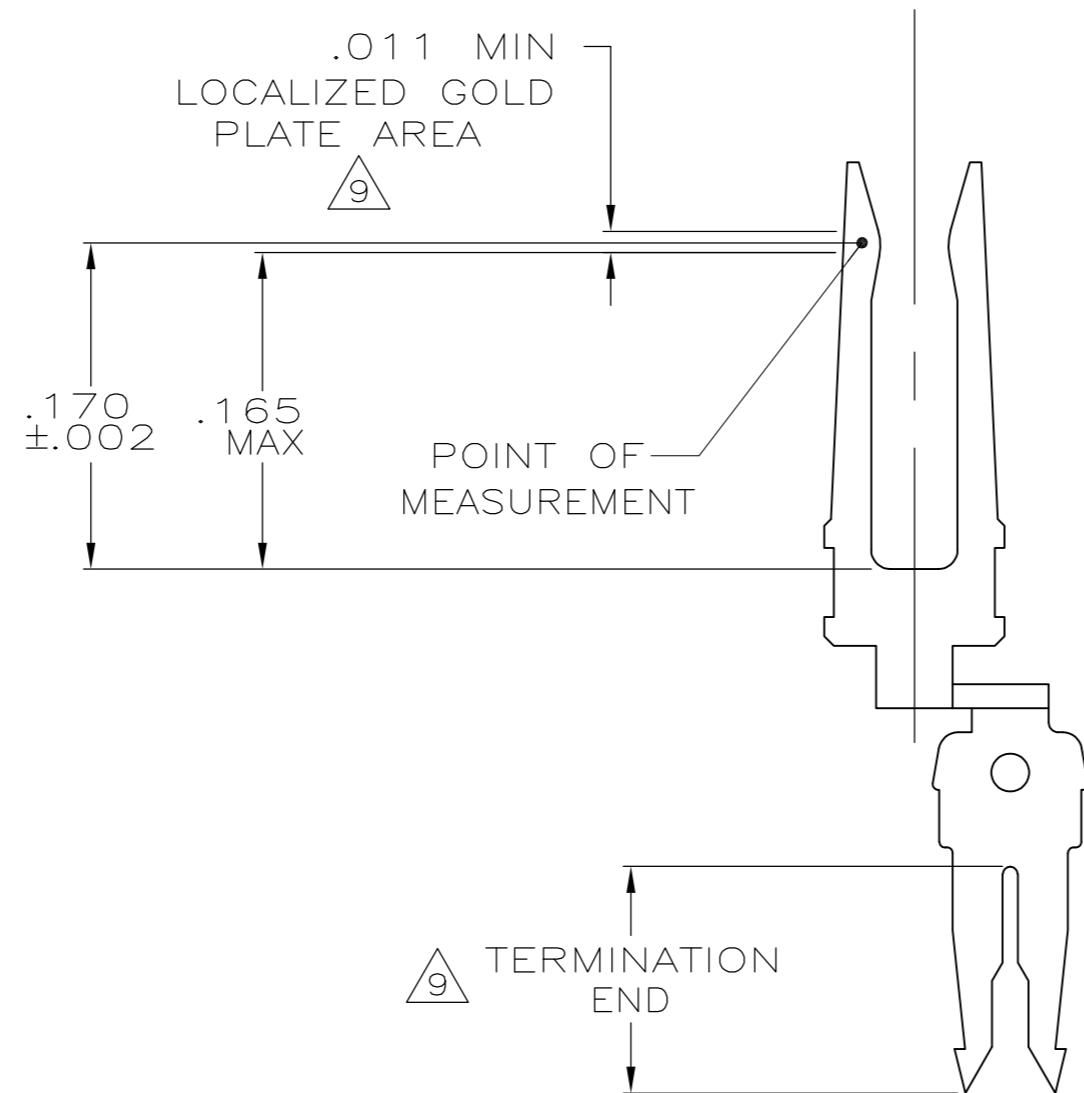
THIS DRAWING IS A CONTROLLED DOCUMENT.

DIMENSIONS: INCHES	TOLERANCES UNLESS OTHERWISE SPECIFIED:	0 PLC ± -	1 PLC ± -	2 PLC ± -	3 PLC ± .005	4 PLC ± -	ANGLES ± 2'
MATERIALS:		MOLDED PARTS: 5	CONTACTS: 6	INSERTS: 7	FINISH: 8		
CONTACTS: 6		INSERTS: UNPLATED		CUSTOMER DRAWING			

DWN: B. MCMASTER	30MAR04		RECEPTACLE ASSEMBLY, THREADED INSERTS, LEAD-FREE, AMPLIMITE HDF		
CHK: C. ROHDE	30MAR04				
APVD: M. WALMSLEY	30MAR04				
PRODUCT SPEC					
APPLICATION SPEC		SIZE: A2	CAGE CODE: 00779	DRAWING NO: C=1658609	RESTRICTED TO: -
WEIGHT: -		SCALE: 4:1	SHEET: 1 of 2	REV: A2	

THIS DRAWING IS UNPUBLISHED. RELEASED FOR PUBLICATION  
 © COPYRIGHT - By - ALL RIGHTS RESERVED.

LOC	DIST	REVISIONS					
		P	LTR	DESCRIPTION	DATE	DWN	APVD
GP	00	-	-	SEE SHEET 1	-	-	-



CONTACT DETAIL  
 SCALE 10:1

THIS DRAWING IS A CONTROLLED DOCUMENT.		DWN B. MCMASTER 30MAR04																				
DIMENSIONS: INCHES		CHK C. ROHDE 30MAR04																				
TOLERANCES UNLESS OTHERWISE SPECIFIED:		APVD M. WALMSLEY 30MAR04	NAME RECEPTACLE ASSEMBLY, THREADED INSERTS, LEAD-FREE, AMPLIMITE HDF																			
<table border="1"> <tr><td>0 PLC</td><td>±</td><td>-</td></tr> <tr><td>1 PLC</td><td>±</td><td>-</td></tr> <tr><td>2 PLC</td><td>±</td><td>-</td></tr> <tr><td>3 PLC</td><td>±</td><td>.005</td></tr> <tr><td>4 PLC</td><td>±</td><td>-</td></tr> <tr><td>ANGLES</td><td>±</td><td>2°</td></tr> </table>		0 PLC	±	-	1 PLC	±	-	2 PLC	±	-	3 PLC	±	.005	4 PLC	±	-	ANGLES	±	2°	PRODUCT SPEC -	SIZE A2	
0 PLC	±	-																				
1 PLC	±	-																				
2 PLC	±	-																				
3 PLC	±	.005																				
4 PLC	±	-																				
ANGLES	±	2°																				
MATERIAL SEE SHEET 1		APPLICATION SPEC -	CAGE CODE 00779	DRAWING NO C=1658609																		
FINISH SEE SHEET 1		WEIGHT -	SCALE 4:1	SHEET 2 of 2																		
CUSTOMER DRAWING			RESTRICTED TO -	REV A2																		

# Mouser Electronics

Authorized Distributor

Click to View Pricing, Inventory, Delivery & Lifecycle Information:

[TE Connectivity:](#)

[1658609-3](#)