

**PLEASE CHECK WWW.MOLEX.COM FOR LATEST PART INFORMATION**

**Part Number:** [19005-0001](#)  
**Status:** **Active**  
**Overview:** [Quick-Disconnect Terminals](#)  
**Description:** InsulKrimp™ Fully Insulated Coupler, Female, for 18-22 AWG Wire, Box

**Documents:**

<a href="#">3D Model</a>	<a href="#">Product Specification PS-19902-011 (PDF)</a>
<a href="#">Drawing (PDF)</a>	<a href="#">Product Specification PS-19902-013 (PDF)</a>
<a href="#">Product Specification PS-19902-008 (PDF)</a>	<a href="#">RoHS Certificate of Compliance (PDF)</a>

**Agency Certification**

CSA	LR18689
UL	E79133

**General**

Product Family	Quick Disconnects
Series	<a href="#">19005</a>
Crimp Quality Equipment	Yes
Insulated	Fully
MolexKits	Yes
Overview	<a href="#">Quick-Disconnect Terminals</a>
Product Name	InsulKrimp™
Type	Quick Disconnect
UPC	800753030411

**Physical**

Barrel Type	Closed
Color - Resin	Red
Flammability	94V-2
Gender	Female
Glow-Wire Compliant	Yes
Insulation	Nylon (PA)
Lock to Mating Part	None
Material - Metal	Brass
Material - Plating Mating	Tin
Material - Plating Termination	Tin
Material - Resin	Nylon
Net Weight	1.089/g
Orientation	Straight
Packaging Type	Bag
Polarized to Mating Part	No
Tab Thickness	0.81mm
Tab Width	6.35mm
Temperature Range - Operating	-65°C to +105°C
Wire Insulation Diameter	4.19mm max.
Wire Size AWG	18, 20, 22
Wire Size mm <sup>2</sup>	0.35 - 0.80

**Electrical**

Voltage - Maximum	600V
-------------------	------

**Material Info**

Old Part Number	AA-2261
-----------------	---------

**Reference - Drawing Numbers**

Product Specification	PS-19902-008, PS-19902-011, PS-19902-013
Sales Drawing	SD-19005-001

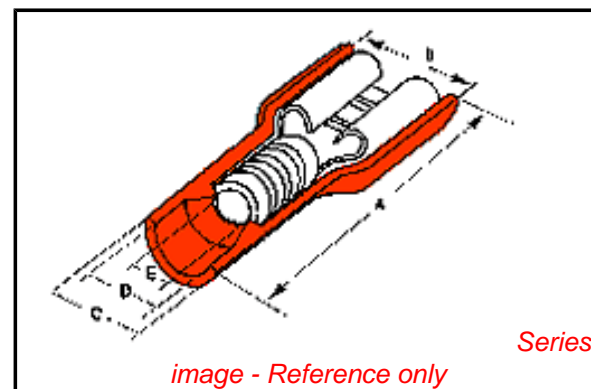


image - Reference only

**EU RoHS**

**ELV and RoHS Compliant**

**REACH SVHC**

**Contains SVHC: No**  
**Low-Halogen Status**  
**Low-Halogen**

**China RoHS**



**Need more information on product environmental compliance?**

Email [productcompliance@molex.com](mailto:productcompliance@molex.com)  
 For a multiple part number RoHS Certificate of Compliance, [click here](#)

Please visit the [Contact Us](#) section for any non-product compliance questions.

**Search Parts in this Series**

19005Series

**Use With**

19004-0001 , 19004-0004

**Application Tooling | FAQ**

*Tooling specifications and manuals are found by selecting the products below. Crimp Height Specifications are then contained in the Application Tooling Specification document.*

**Global**

Description	Product #
Crimp Head for the AT-200™ Pneumatic Hand Tool	<a href="#">0640054700</a>
Hand Crimp Tool	<a href="#">0640014700</a>

This document was generated on 10/14/2014

**PLEASE CHECK [WWW.MOLEX.COM](http://WWW.MOLEX.COM) FOR LATEST PART INFORMATION**