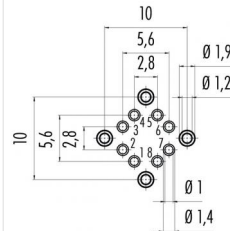


Product **Contacts 8: Female panel mount connector with X-coding, dip-solder, spring type housing contacts**
 Area **M12-D, M12-X Series 825/876 X-coding**
 Article number **99 3782 200 08**

Illustration



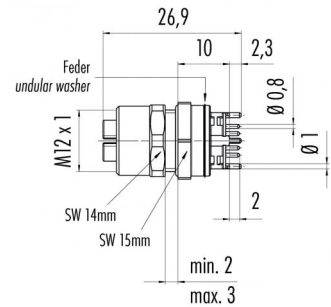
Conductor layout



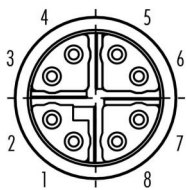
Ansicht Bestückungsseite
 Leiterplattendicke: 1,55 mm
 Alle Bohrungen durchkontaktiert

 View of mating side
 Thickness of PCB: 1,55 mm
 All holes fully contacted

Scale drawing



Contact Arrangement



	X	Y
1	-1,40	-2,80
2	-2,80	-1,40
3	-2,80	1,40
4	-1,40	2,80
5	1,40	2,80
6	2,80	1,40
7	2,80	-1,40
8	1,40	-2,80

Technical data

Common values

Connector Design	Cable plug connector
Connector locking system	screw
Termination	dip-solder
Upper temperature	85 °C
Lower temperature	-40 °C

Cable data

material housing	-
Insulation single lead	-
Single lead structure	-
Conductor resistance	-
Bending radius cable fixed	-
Bending radius cable movable	-

Electrical values

Rated voltage	50 V AC / 60 V DC
Pollution degree	3
Overvoltage category	II
Material group	III
Rated current (40°C)	0.5 A
Volume resistivity	≤ 10 mΩ
Degree of protection	IP67
Mechanical operation	> 100 mating cycles

Material

Material of contact	CuSn (Bronze)
Contact plating	Au (Gold)
Material of contact body	PA
Material of housing	Nickel-plated zinc die casting