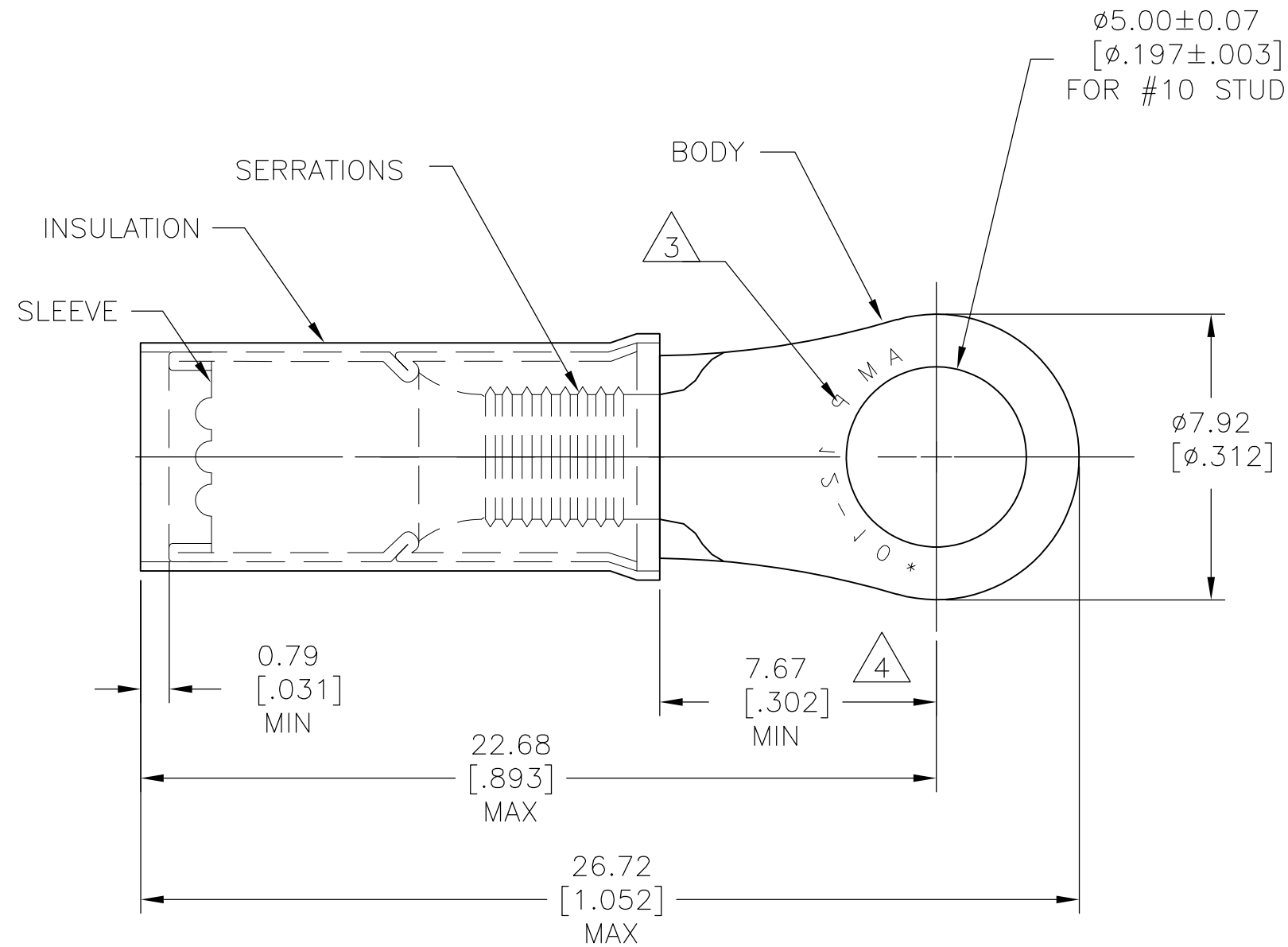


THIS DRAWING IS UNPUBLISHED. RELEASED FOR PUBLICATION  
 © COPYRIGHT - By - ALL RIGHTS RESERVED.

LOC	DIST	REVISIONS					
		P	LTR	DESCRIPTION	DATE	DWN	APVD
-	-	G2		NEW DRAWING PER ECO-11-019045	03APR12	KH	DR

<b>AMP</b> WIRE RANGE	Listed FILE E13288	LR7189 Certified
12-10 AWG SOLID OR STRANDED	12-10 AWG SOLID OR STRANDED	12-10AWG SOLID OR STRANDED



- 1 TONGUE MATERIAL THK:  $1.02 \pm 0.05$  [ $.040 \pm .002$ ]
- 2 FOR WIRE INSULATION DIA: 3.81 [.150] TO 5.84 [.230]
- 3 STAMP AMP 12-10\* APPROX AS SHOWN.
- 4 DIMENSION APPLIES FROM EDGE OF METAL WIRE BARREL TO CENTER OF STUD HOLE.
- 5 MATERIAL: BODY & SLEEVE: COPPER PER ASTM B152. INSULATION : NYLON
- 6 FINISH: BODY & SLEEVE: TIN PLATE PER ASTM B545. INSULATION: COLOR-YELLOW.

50	LOOSE PC, BOX	8-324918-2
2500	ON TAPE REEL	1-324918-0
500	LOOSE PIECE	324918
QTY	PACKAGE TYPE	PART NO

**AMP INCORPORATED**  
**CUSTOMER SERVICE SYSTEMS**

FOR ADDITIONAL PRODUCT INFORMATION OR COPIES OF DRAWINGS AND TECHNICAL DOCUMENTS: PRODUCT INFORMATION CENTER 1-800-522-6752

FOR APPLICATION TOOLING INFORMATION: TOOLING ASSISTANCE CENTER 1-800-722-1111

FOR ORDER ENTRY: 1-800-526-5142

RECOMMENDED OPERATING TEMPERATURE: 105°C [221°F]

VOLTAGE RATING: 300V MAX

WIRE CROSS SECTIONAL AREA RANGE: 2.62-6.64mm<sup>2</sup> [5,180-13,100] CIR.MIL SOLID OR STRANDED

THIS DRAWING IS A CONTROLLED DOCUMENT.

DIMENSIONS: mm [INCHES]

TOLERANCES UNLESS OTHERWISE SPECIFIED:

0 PLC	± -
1 PLC	± -
2 PLC	± 0.20 [.008]
3 PLC	± -
4 PLC	± -
ANGLES	± -

MATERIAL:

FINISH:

DWN	KIRAN HOLAL	03APR12	TE Connectivity			
CHK	ROHDE DANIEL	03APR12				
APVD	ROHDE DANIEL	03APR12				
NAME	WIRE TERMINAL P.I.D.G RING TONGUE WIRE SIZE 12-10					
PRODUCT SPEC	-		SIZE	CAGE CODE	DRAWING NO	RESTRICTED TO
APPLICATION SPEC	-		A3	00779	C-324918	-
WEIGHT	-		CUSTOMER DRAWING			
SCALE			6:1	SHEET		1 OF 1
REV			G2			

# Mouser Electronics

Authorized Distributor

Click to View Pricing, Inventory, Delivery & Lifecycle Information:

[TE Connectivity:](#)

[1-324918-0](#)