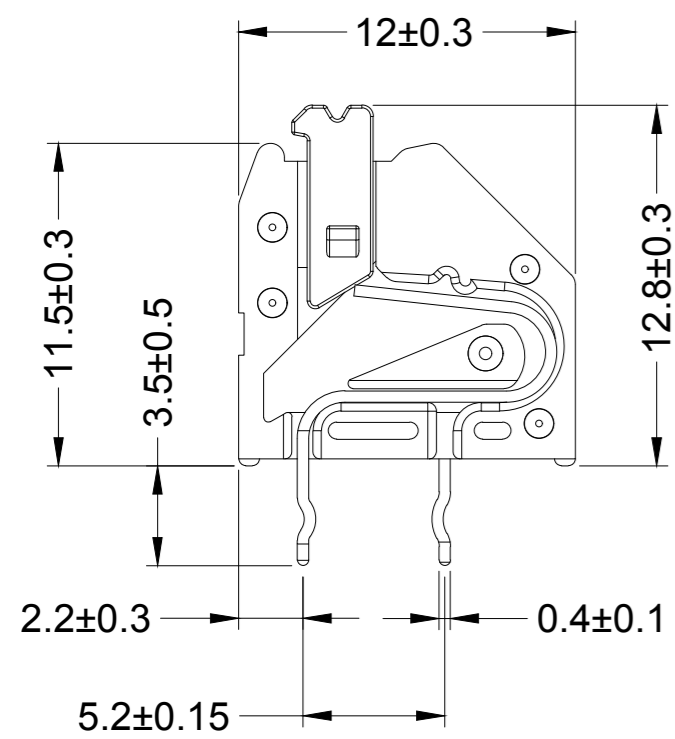
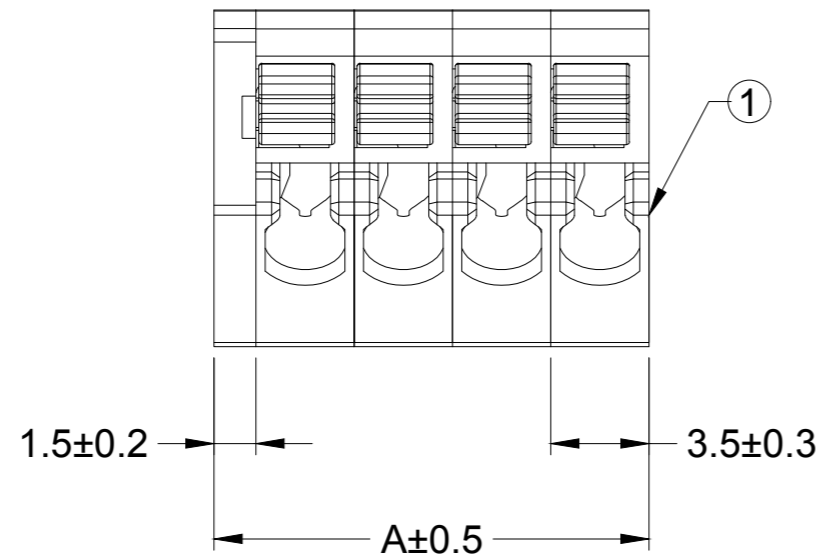
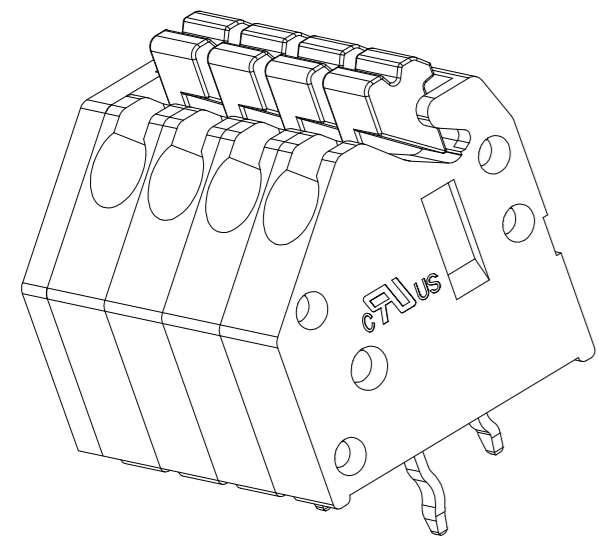
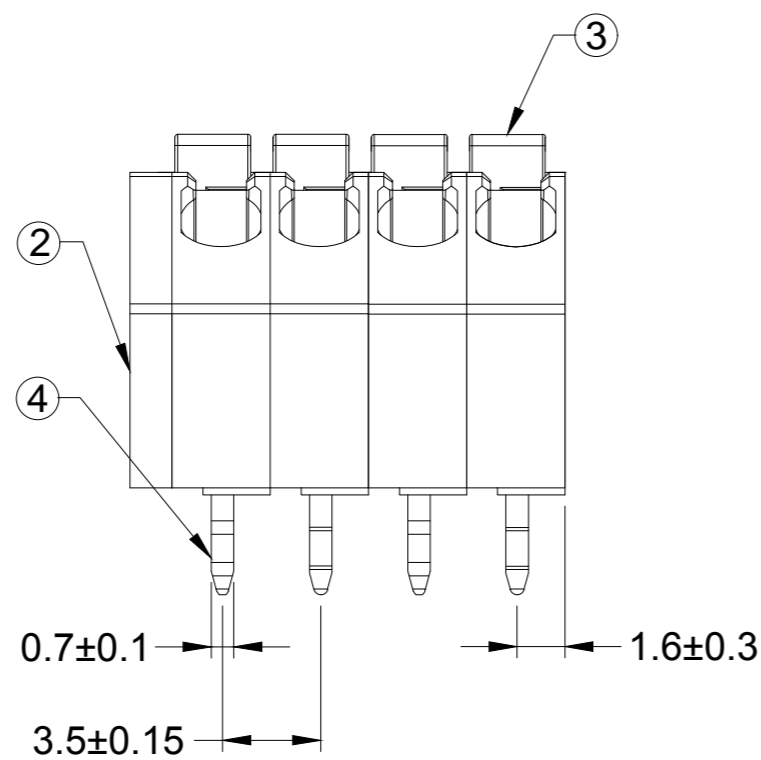


REVISIONS				
P	LTR	DESCRIPTION	DATE	APVD
B1		ADD NEW P/N ECR-19-009964	26JUN2019	G.F S.M



DETAIL INNER



NOTES :

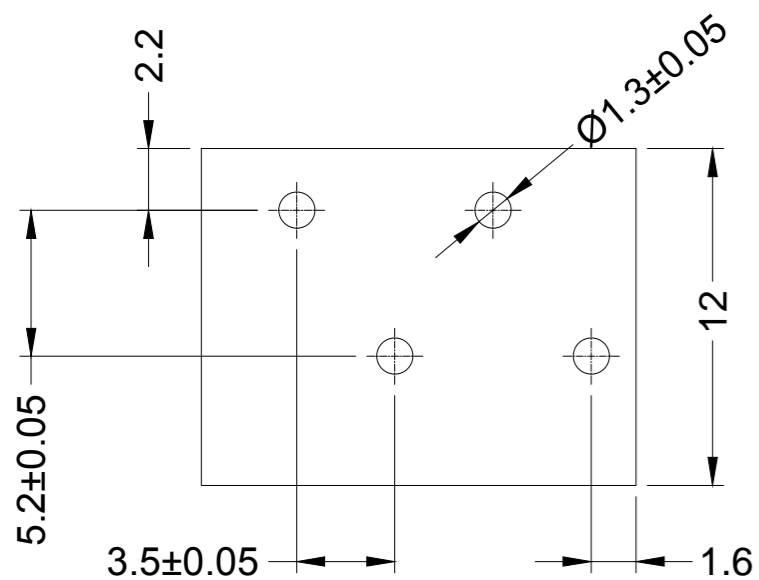
- 1. MATERIALS AND FINISH:
 - HOUSING: PA66
 - CONTACTS: COPPER ALLOY, FINISH: TIN OVER NICKEL UNDERPLATE
- 2. MUST COMPLY WITH DIRECTIVE 2002/95/EC (ROHS)
- 3. WIRE TYPES AND SIZES ACCEPTED
 WIRE RANGE: 14AWG~20AWG(SOLID&STRANDED)
 STRIP LENGTH: 7.5mm~8.5mm
- 4. PACKAGED IN TRAY.
- 5. CURRENT RATING: 6Amp AC300V.
- 6. OPERATION TEMPERATURE: -40°C TO +105°C

P/N: *-2834011-*

COLOR CODE:	SERIES CODE	PIN No:
1=GREEN		2=2 POSN
2=BLUE		3=3 POSN
3=BROWN		4=4 POSN
4=ORANGE		5=5 POSN
5=GREY		6=6 POSN
6=RED		7=7 POSN
7=YELLOW		8=8 POSN
8=PURPLE		9=9 POSN
9=WHITE		0=10 POSN
0=BLACK		

④	CONTACT
③	LEVER(orange)
②	COVER
①	HOUSING

REMARK: THE DIFFERENT COLORS COULD BE COMBINED TO THE NEW CONNECTOR P/Ns FOR CUSTOMER REQUEST.



RECOMMEND PCB Layout

36.5	10 POSN
33	9 POSN
29.5	8 POSN
26	7 POSN
22.5	6 POSN
19	5 POSN
15.5	4 POSN
12	3 POSN
8.5	2 POSN
A	NO. OF POSITIONS

THIS DRAWING IS A CONTROLLED DOCUMENT.		DWN	GEORGE FU	26JUN2019	 TE Connectivity	
DIMENSIONS: mm		CHK	GEORGE FU	26JUN2019		
TOLERANCES UNLESS OTHERWISE SPECIFIED:		APVD	SHI MING	26JUN2019		
0 PLC ± 0.20 1 PLC ± 0.15 2 PLC ± 0.1 3 PLC ± - 4 PLC ± - ANGLES ± - FINISH ± -		NAME	3.5mm PITCH TOP ENTRY MODULAR SCREWLESS CONN.			
MATERIAL		PRODUCT SPEC	108-137048		SIZE	A2
		APPLICATION SPEC	114-137048		CAGE CODE	00779
		WEIGHT	-		DRAWING NO	C=2834011
		CUSTOMER DRAWING			RESTRICTED TO	-
		SCALE	1:1		SHEET	1 OF 1
		REV	B1			

Mouser Electronics

Authorized Distributor

Click to View Pricing, Inventory, Delivery & Lifecycle Information:

[TE Connectivity:](#)

[1-2834011-2](#)