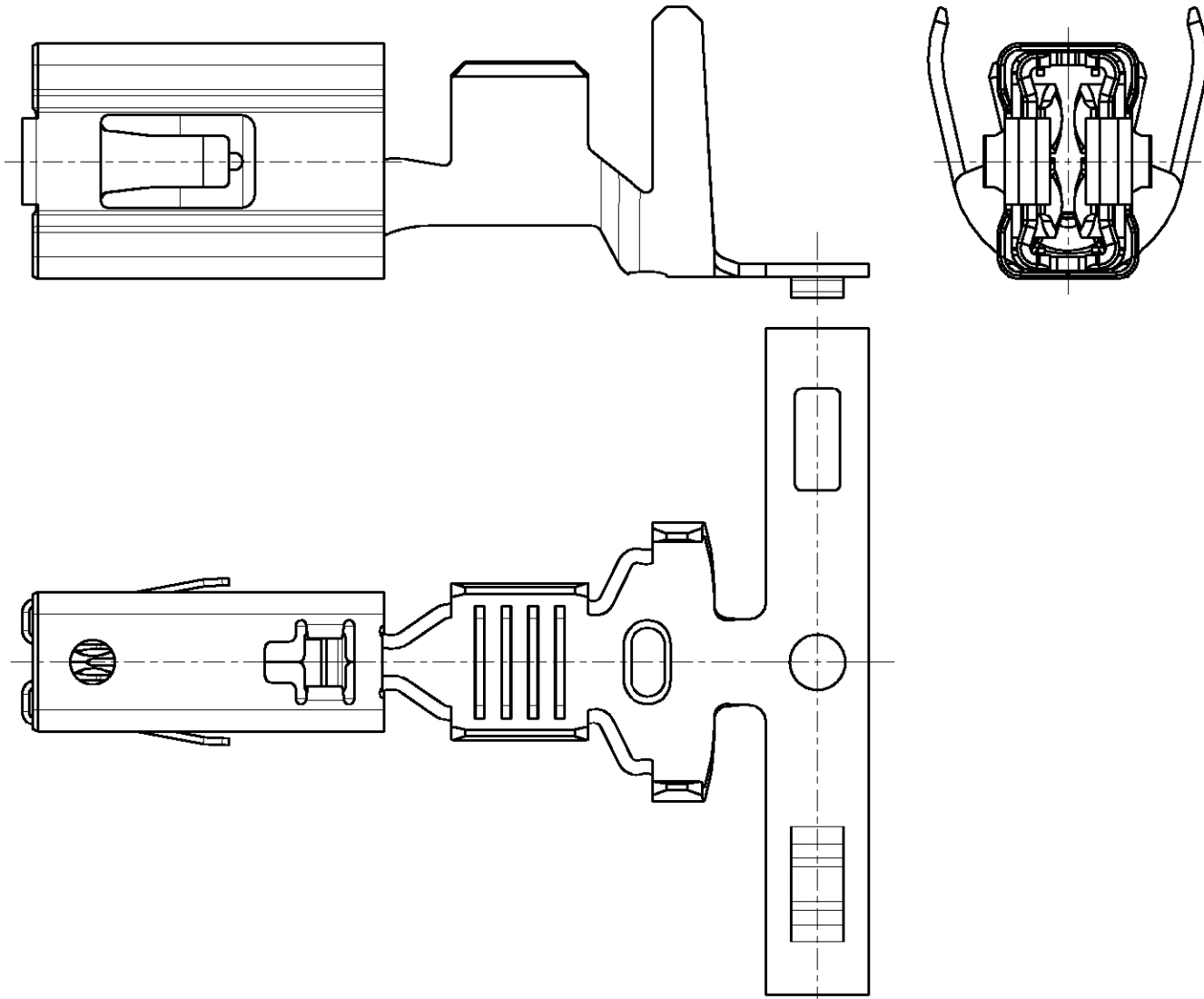


LOC	DIST	REVISIONS				
P	LTR	DESCRIPTION	DATE	DWN	APVD	
A1	-					
	A	NEW DRAWING	03DEC2001	R.M.	-	



REFER TO PRODUCT GROUP DRAWING 1241438  
FOR LATEST INFORMATION ON THE PART


Für aktuelle Information zum Teil wird auf die  
Produkt - Gruppenzeichnung 1241438 hingewiesen

2001

RELEASED FOR PUBLICATION

BY TYCO ELECTRONICS CORPORATION. ALL RIGHTS RESERVED.

THIS DRAWING IS UNPUBLISHED

DIMENSIONS: mm	DWN	03DEC2001	MATERIAL	-	FINISH	-
	CHK	03DEC2001	 tyco Electronics AMP GmbH D - 64625 Bensheim			
TOLERANCES UNLESS OTHERWISE SPECIFIED:	R. Schäfer	APVD				
0 PLC ±	PRODUCT SPEC	-	NAME			
1 PLC ±	-	-	AMP MCP6.3/4.8K FLATCONTACT			
2 PLC ±	APPLICATION SPEC	-	AMP MCP6.3/4.8K Flachkontakt			
3 PLC ±	-	-	SIZE	CAGE CODE	DRAWING NO	RESTRICTED TO
4 PLC ±	WEIGHT	-	A 4	00779	©=1241416	-
ANGLES ±	CUSTOMER DRAWING	-	SCALE	5:1	SHEET 1 OF 1	REV A

# Mouser Electronics

Authorized Distributor

Click to View Pricing, Inventory, Delivery & Lifecycle Information:

[TE Connectivity:](#)

[1241416-1](#)