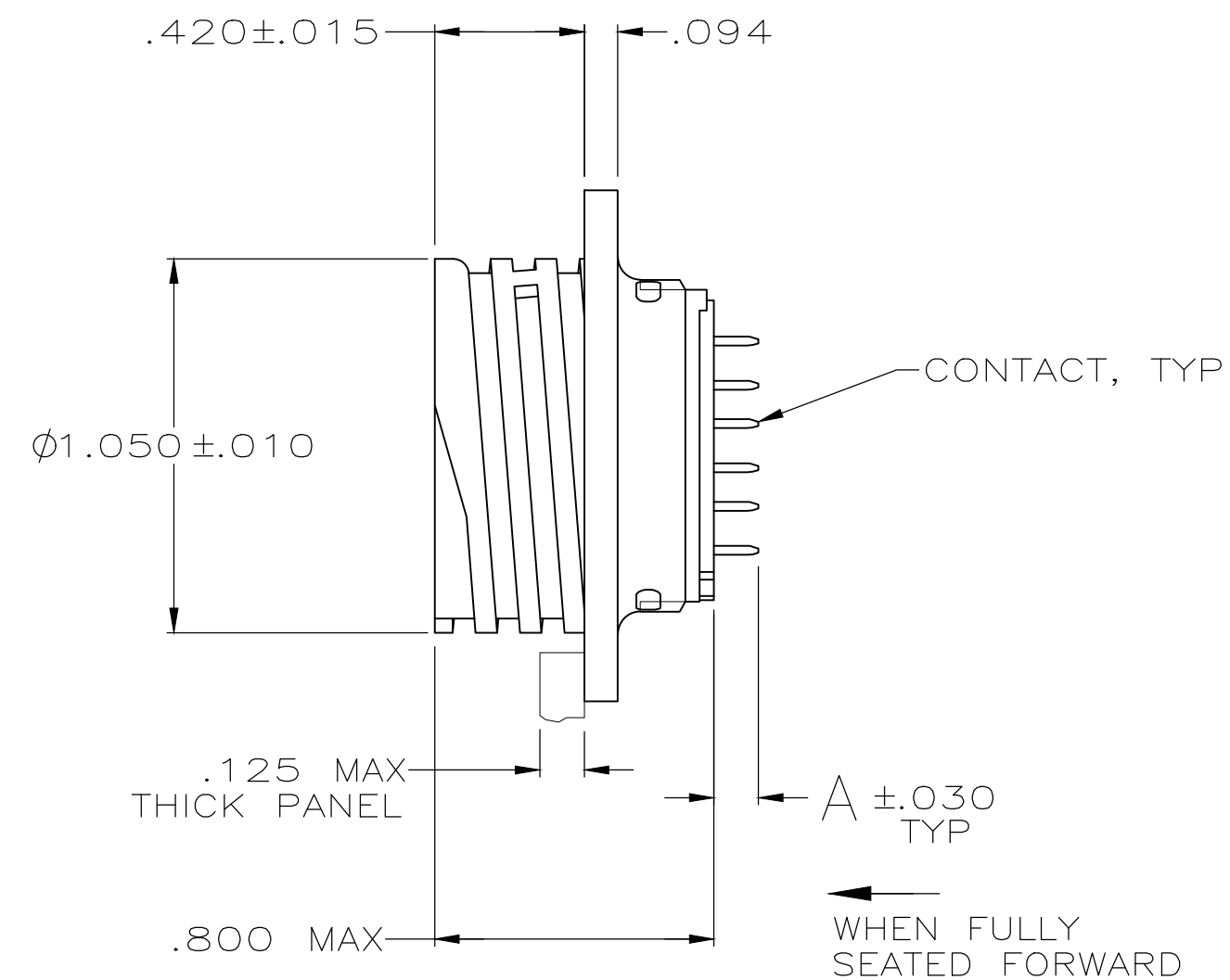
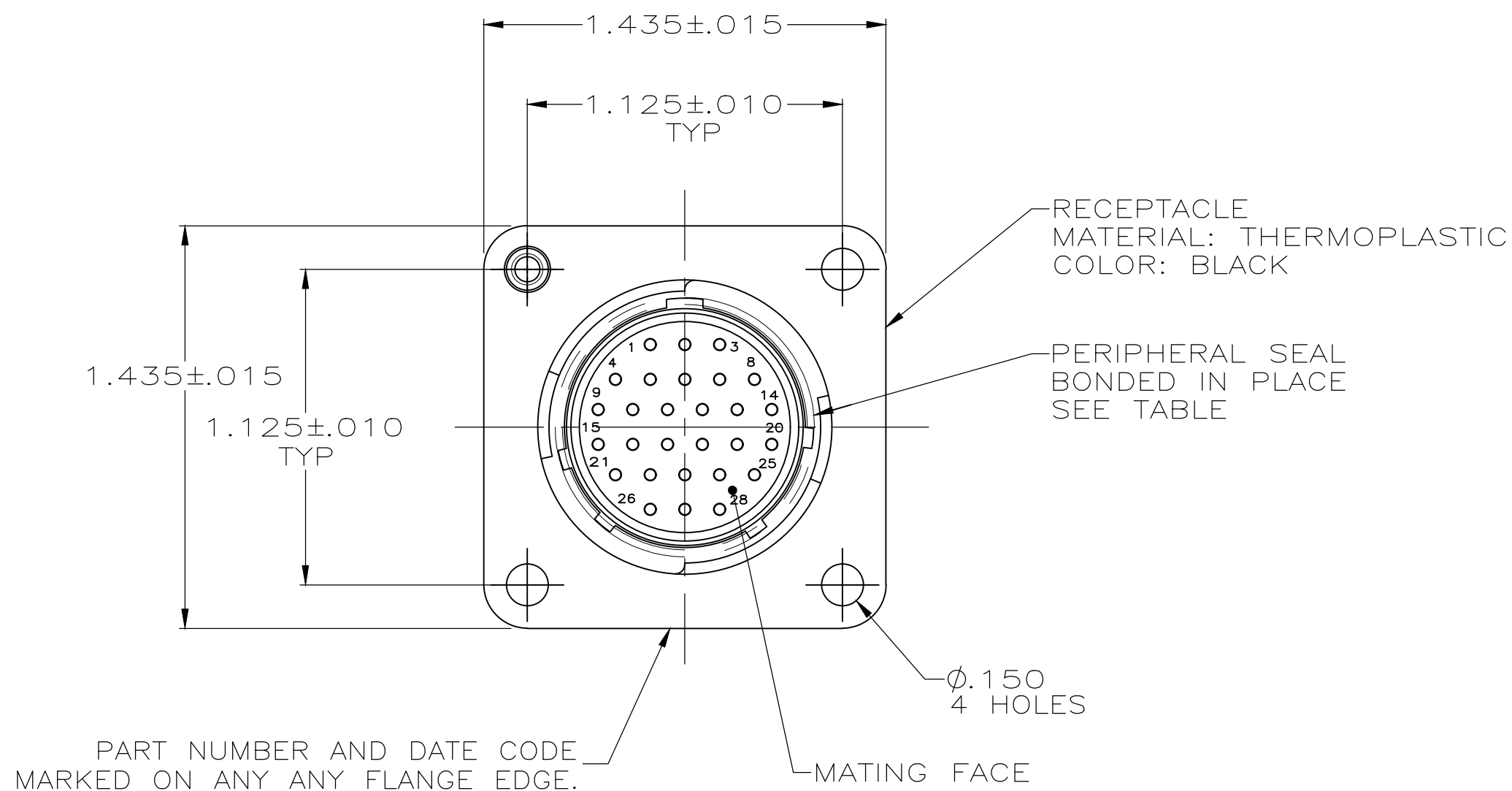


THIS DRAWING IS UNPUBLISHED. RELEASED FOR PUBLICATION
 © COPYRIGHT - By - ALL RIGHTS RESERVED.

REVISIONS				
P	LTR	DESCRIPTION	DATE	APVD
M		REVISED PER ECO-18-007248	25MAY2018	KH MZ

- 1 CONTACT CAVITIES IDENTIFIED BY CHARACTERS ON FRONT FACE OF CONNECTOR.
- 2 .000030 MIN GOLD FOR A LENGTH OF .100 MIN FROM MATING END, .000100 MIN TIN-LEAD FOR A LENGTH OF "A" MIN FROM OPPOSITE END, ALL OVER .000050 MIN NICKEL.
- 3 RECOMMENDED HOLE SIZE .047 DIA FOR P.C. BOARD.
- 4 .000030 MIN GOLD FOR A LENGTH OF .100 MIN FROM MATING END, .000100 MIN TIN FOR A LENGTH OF "A" MIN FROM OPPOSITE END, ALL OVER .000050 MIN NICKEL.



CONTACT FINISH	PERIPHERAL SEAL	THREADED INSERT	DIM A	PART NUMBER
4	NO	YES	.125	1-207369-4
4	NO	NO	.352	1-207369-3
4	NO	NO	.125	1-207369-1
2	YES	YES	.796	-207369-5
2	NO	YES	.125	-207369-4
2	NO	NO	.352	-207369-3
2	NO	NO	-	-207369-2
2	NO	NO	.125	207369-1

THIS DRAWING IS A CONTROLLED DOCUMENT.		DWN 5-22-91 J. GALLUCCI BG	STE TE Connectivity	
DIMENSIONS: INCHES		CHK 4-14-92 W.G. LENKER		
TOLERANCES UNLESS OTHERWISE SPECIFIED:		APVD 4-14-92 K. BEAVER	NAME RECEPTACLE ASSEMBLY, POSTED, STD SEX, SERIES 2, 17-28, CPC	
0 PLC ± -		PRODUCT SPEC 108-10024	SIZE CAGE CODE DRAWING NO RESTRICTED TO	
1 PLC ± -		APPLICATION SPEC	A2 00779 C-207369	
2 PLC ± -			SCALE 2:1 SHEET 1 OF 1 REV M	
3 PLC ± .005				
4 PLC ± -				
ANGLES ± -				
MATERIAL SEE CALLOUT		FINISH -	CUSTOMER DRAWING	

Mouser Electronics

Authorized Distributor

Click to View Pricing, Inventory, Delivery & Lifecycle Information:

[TE Connectivity:](#)

[1-207369-1](#)