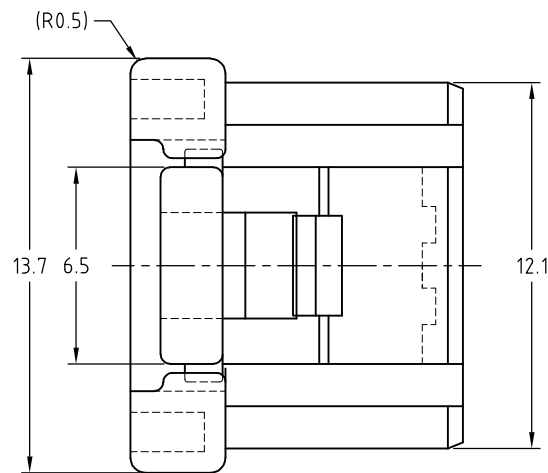
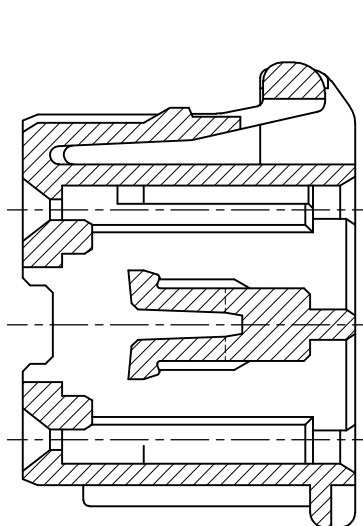
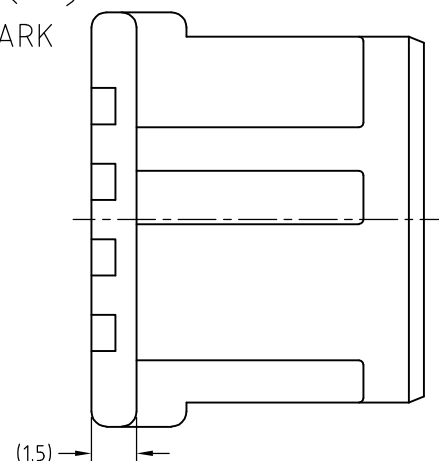
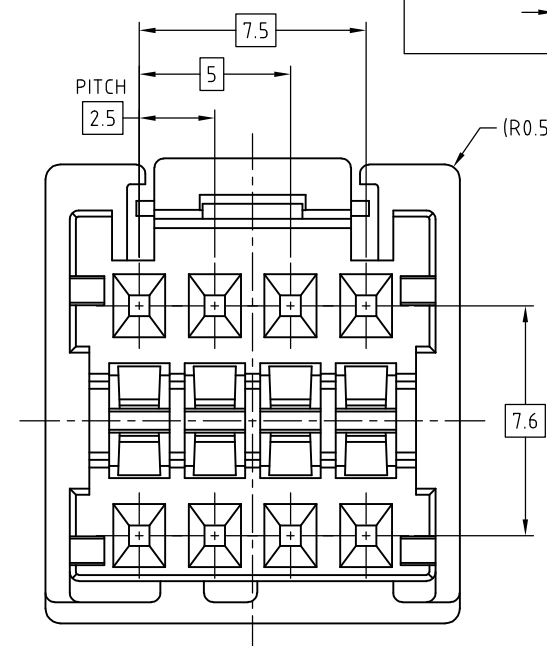
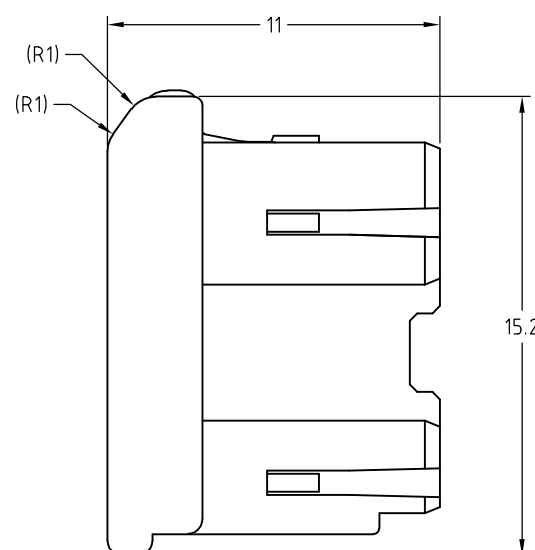
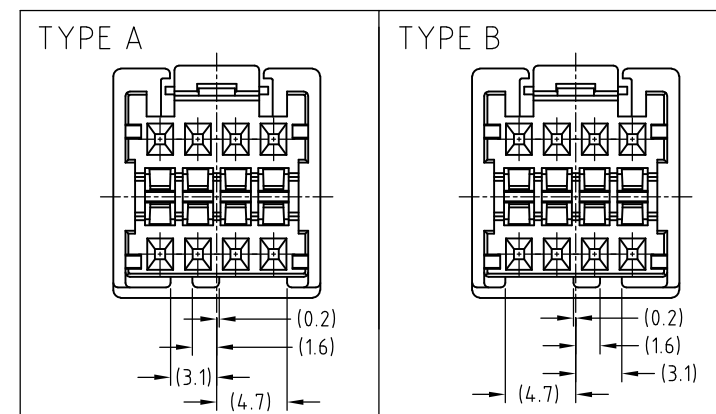


THIS DRAWING IS UNPUBLISHED. RELEASED FOR PUBLICATION  
 © COPYRIGHT BY TYCO ELECTRONICS CORPORATION. ALL RIGHTS RESERVED.

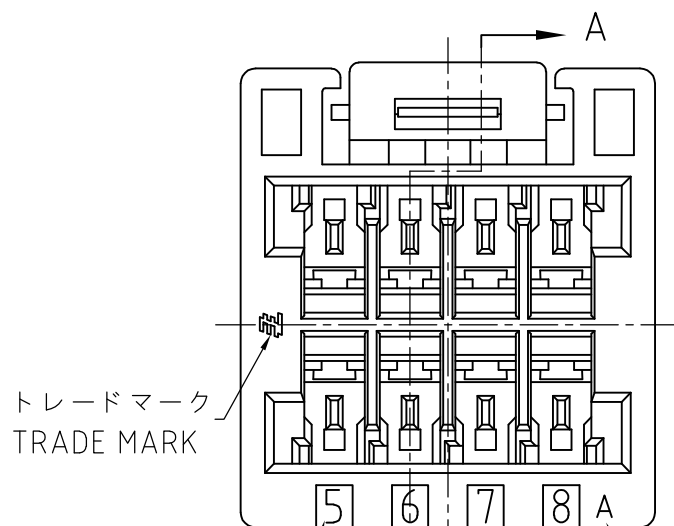
LOC	DIST	REVISIONS					
J	—	P	LTR	DESCRIPTION	DATE	DWN	APVD
			D1	REVISED PER ECR-10-019978	01OCT10	HMR	TM



TYPE OF KEYING



断面 A-A  
SECT A-A



トレードマーク  
TRADE MARK

回路番号  
CIRCUIT NO.

キャビティマーク  
CAVITY MARK

注記

1. 一般公差 : ±0.3
2. 材料PBTガラス強化(UL94V-0)
3. かん合相手製品型番  
 キャップハウジング : TABLE参照のこと  
 リセコンタクト : 917683,917684

NOTES

1. GENERAL TOLERANCE : ±0.3
2. MATERIAL : PBT GRASS FILLED (UL94V-0)
3. MATING CONN. P/N  
 CAP HOUSING : SEE TABLE  
 REC CONTACT : 917683,917684

1-1981971-2	TYPE B	赤色 RED	1-1981970-2
1981971-1	TYPE A	自然色 NATURAL	1981970-1
3. かん合相手型番 MATING HSG P/N	キーイング形状 TYPE OF KEYING	色調 COLOR	型番 PART NUMBER

THIS DRAWING IS A CONTROLLED DOCUMENT.		DWN J.SATO 02AUG2007	Tyco Electronics AMP K.K. Kawasaki, Japan	
DIMENSIONS: 単位: 耗 mm		CHK S.MANABE 02AUG2007	NAME 名称	
TOLERANCES UNLESS OTHERWISE SPECIFIED: 一般公差		APVD S.MANABE 02AUG2007	PRODUCT SPEC 製品規格 108-78350	
0 PLC ± 1 PLC ± 2 PLC ± 3 PLC ± 4 PLC ± ANGLES ±		APPLICATION SPEC 取付適用規格		
MATERIAL 材料 SEE NOTE 2		FINISH 仕上		SIZE A3
		WEIGHT		CAGE CODE 00779
		CUSTOMER DRAWING		DRAWING NO C-1981970
		SCALE 尺度 5:1		RESTRICTED TO —
		SHEET 1 OF 1		REV D1

# Mouser Electronics

Authorized Distributor

Click to View Pricing, Inventory, Delivery & Lifecycle Information:

[TE Connectivity:](#)

[1-1981970-2](#)