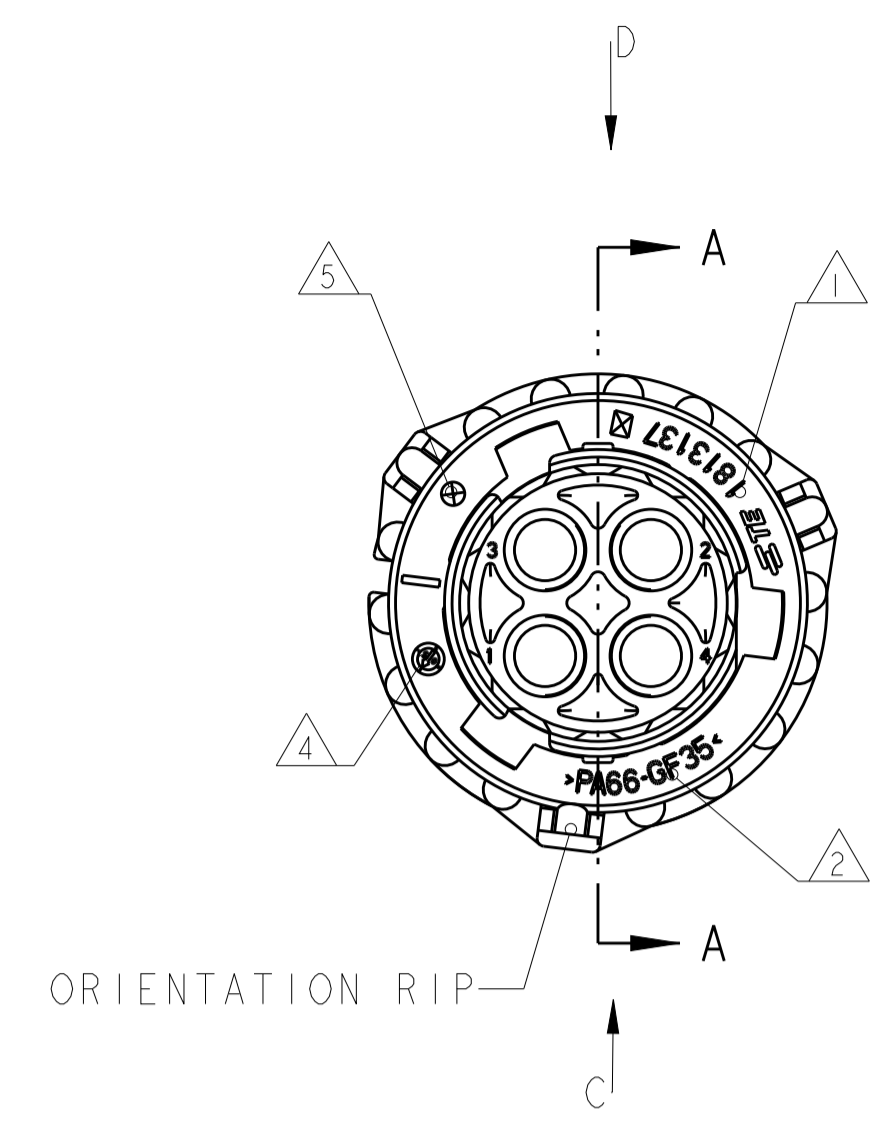
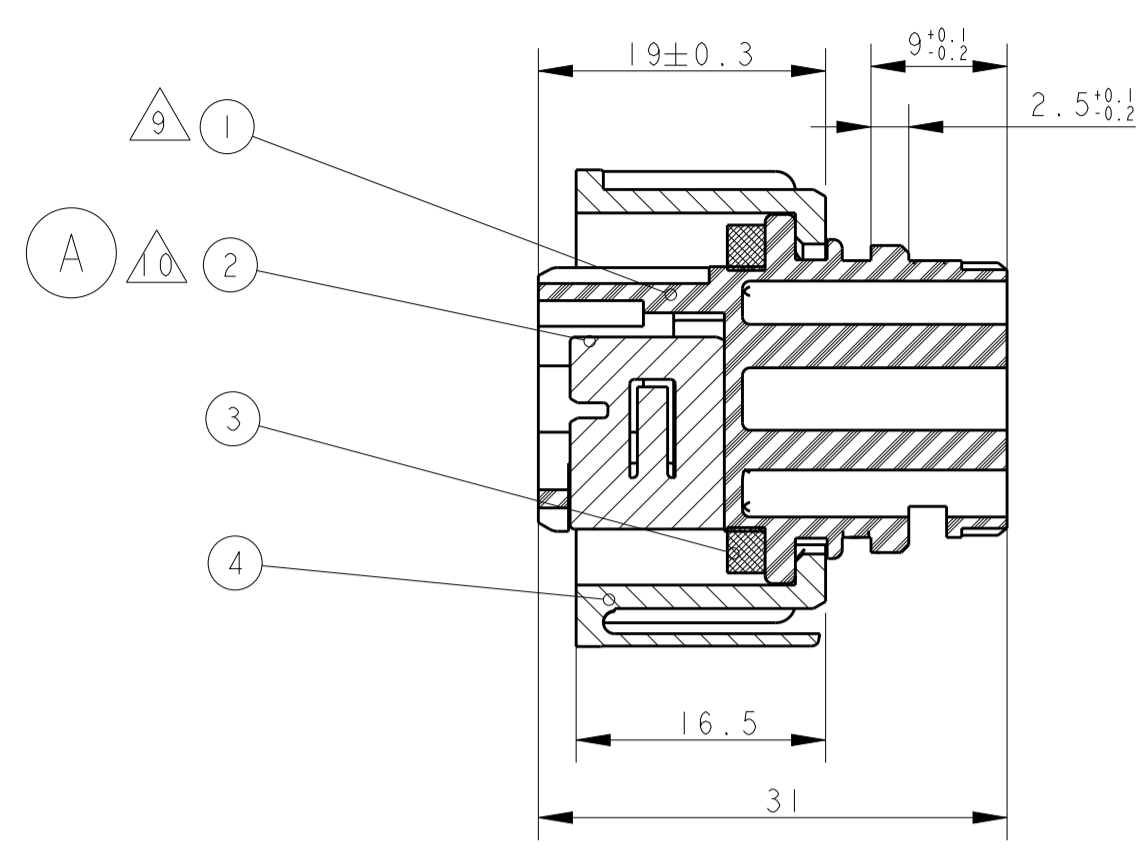


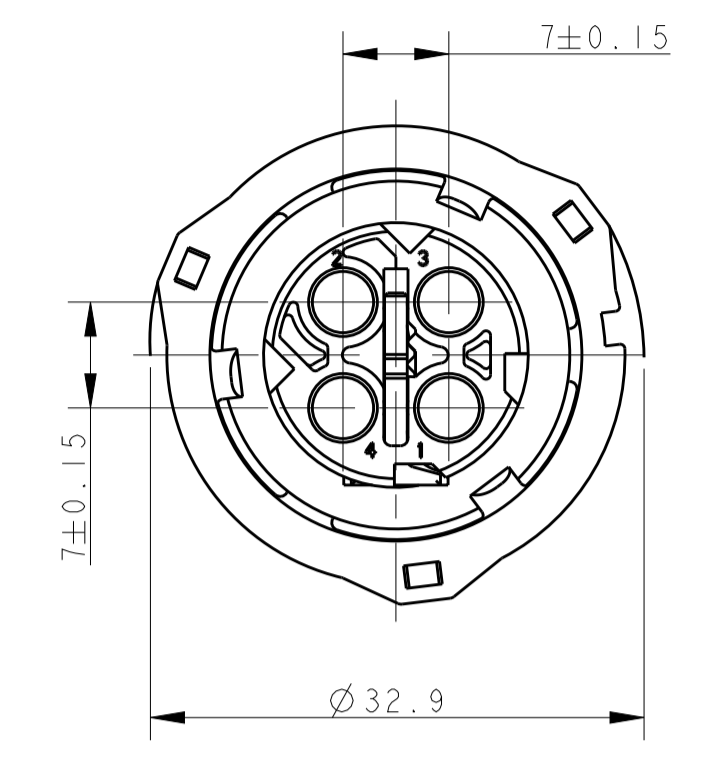
Project No	CA05-007	LOC	ES	DIST	-
REVISIONS					
P.	LTN.	DESCRIPTION	DATE	DWN.	APVD.
0		NEW RELEASE	25OCT2005	A. Z	K. O
A		REVISED ECO-13-010505	10APR13	J. L	I. Y
A1		OBSOLETE PNs	01MAR2019	V. T	I. Y
A2		ADD NEW PNs ECR-19-006325	25MAY2019	N. S	I. Y



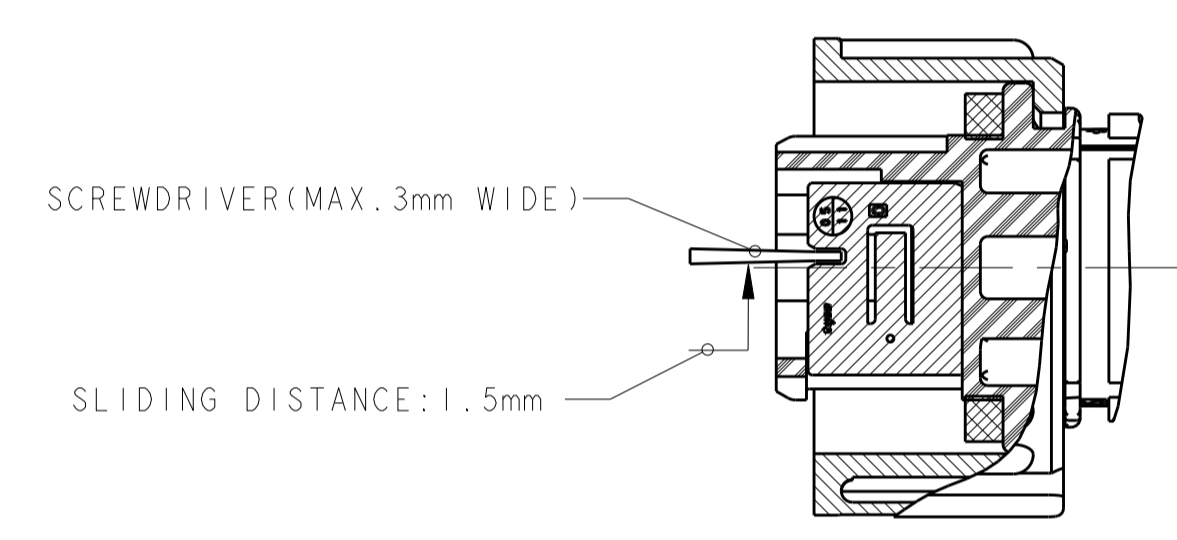
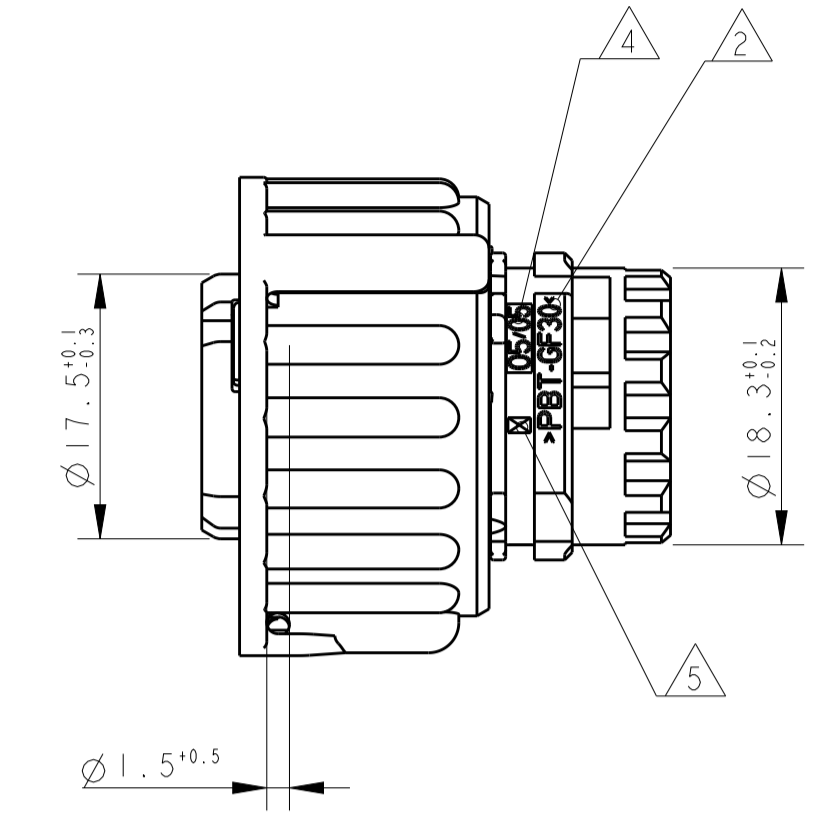
COUPLING RING IN PRE-LOCKED POSITION (FITTING POSITION WITH PIN HOUSING)



SECTION A-A

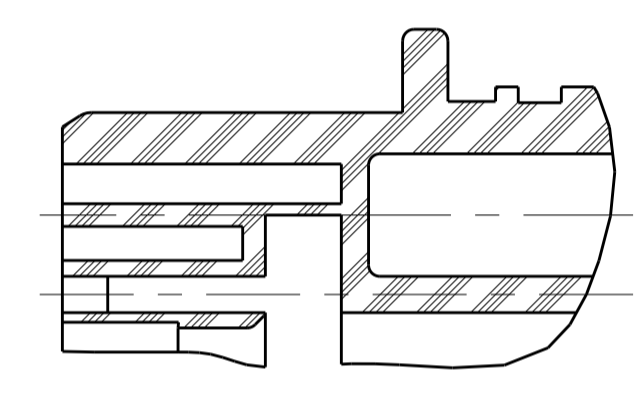


VIEW C ROTATED



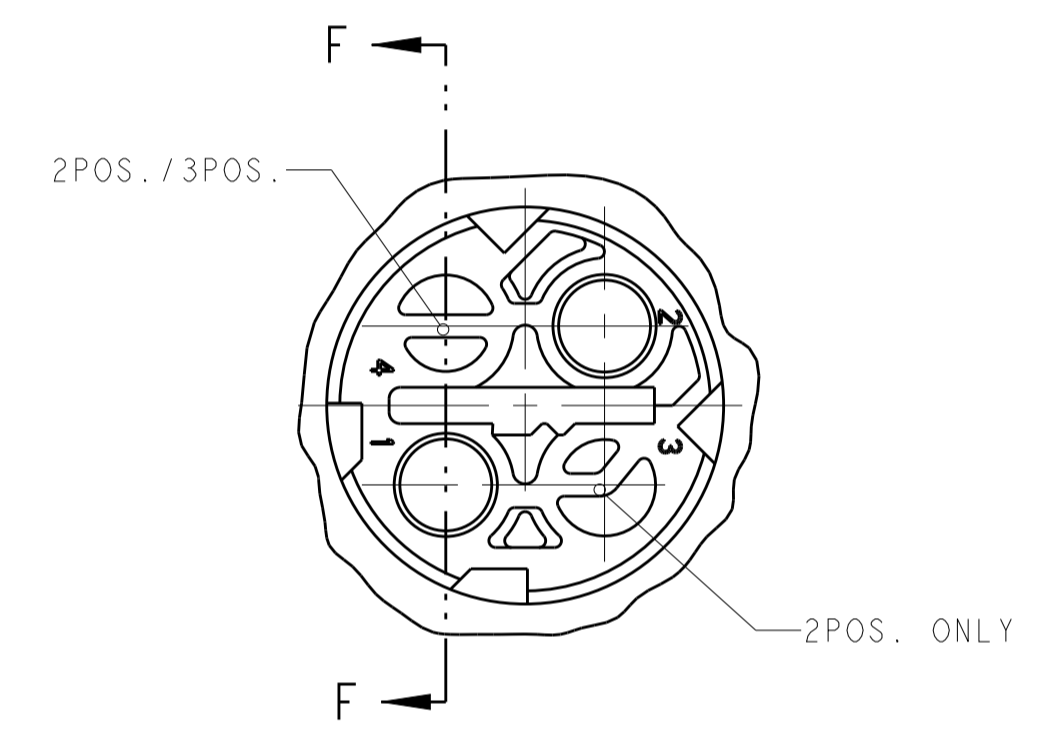
SECTION A-A

SECOND LOCKING DEVICE IN PRE-LOCKED POSITION



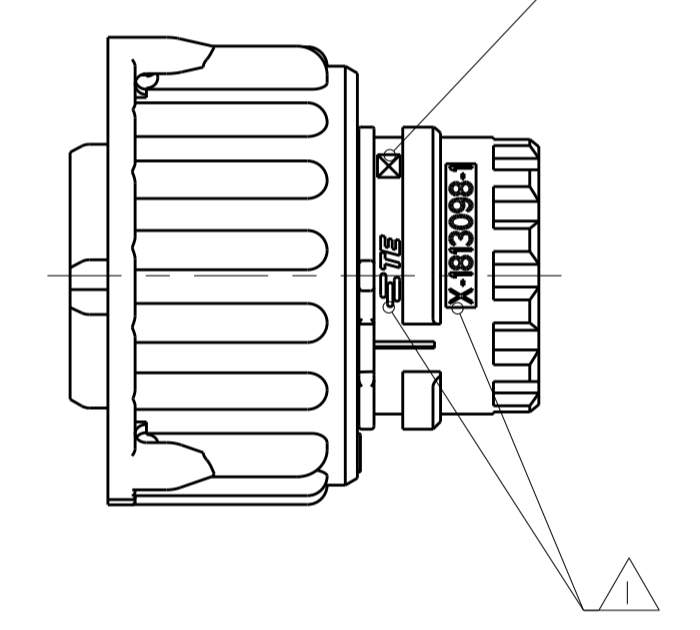
SECTION F-F

SECOND LOCKING DEVICE IN LOCKED POSITION



CLOSED CAVITY OF THE 2POS./3POS. SOCKET HOUSING

VIEW D ROTATED



- NOTES:
- 1 TYCO LOGO AND TYCO NUMBER OF SINGLE PART
 - 2 MATERIAL MARKING, EXCHANGEABLE
 - 3 REVISION OF THE MOULD
 - 4 PRODUCTION DATE
 - 5 CAVITY MARKING
 - 6. FITS TO CONNECTORS ACC. TO DIN 72585/ISO 15170 FORM A AND B AND PIN-HOUSING 2-4POS. TYCO-PN 967402
 - 7. FOR SUITABLE CONTACTS SEE DRAWING: TYCO-PN: 1355065. MAX. WIRE THICKNESS: 2.5mm FLR FOR SUITABLE SEALS SEE DRAWING: TYCO-PN: 1355070
 - 8. BULK PACKING IN CARDBOARD BOX
 - 9 CODING ACC. TO DIN 72585/ISO15170
 - 10 SECONDARY LOCK IS ONLY AVAILABLE FOR 1-1813099-X, 2-1813099-X, 3-1813099-X, 4-1813099-X. DETAIL SEE TABLE.

8--6	8--5	8--4	7--6	7--5	7--4	6--6	6--5	6--4	5--6	5--5	5--4	4--6	4--5	4--4	3--6	3--5	3--4	2--6	2--5	2--4	1--6	1--5	1--4	8--3	8--2	8--1	7--3	7--2	7--1	6--3	6--2	6--1	5--3	5--2	5--1	4--3	4--2	4--1	3--3	3--2	3--1	2--3	2--2	2--1	1--3	1--2	1--1	PA66-GF35	BLACK	COUPLING RING	4										
																																																							PA66-GF35	BLACK	COUPLING RING	4			
																																																										SILICONE RUBBER	ORANGE	SEAL	3
																																																										PA6/6T-GF25	YELLOW	SECOND LOCKING DEVICE	2
																																																										PBT-GF30	BLUE	2POS. SOCKET HOUSING (BLUE)	1
																																																										PBT-GF30	BLUE	3POS. SOCKET HOUSING (BLUE)	1
																																																										PBT-GF30	BLUE	4POS. SOCKET HOUSING (BLUE)	1
																																																										PBT-GF30	GREEN	2POS. SOCKET HOUSING (GREEN)	1
																																																										PBT-GF30	GREEN	3POS. SOCKET HOUSING (GREEN)	1
																																																										PBT-GF30	GREEN	4POS. SOCKET HOUSING (GREEN)	1
																																																										PBT-GF30	GREY	2POS. SOCKET HOUSING (GREY)	1
																																																										PBT-GF30	GREY	3POS. SOCKET HOUSING (GREY)	1
																																																										PBT-GF30	GREY	4POS. SOCKET HOUSING (GREY)	1
																																																										PBT-GF30	BLACK	2POS. SOCKET HOUSING (BLACK)	1
																																																										PBT-GF30	BLACK	3POS. SOCKET HOUSING (BLACK)	1
																																																										PBT-GF30	BLACK	4POS. SOCKET HOUSING (BLACK)	1
																																																										MATERIAL	COLOR	DESCRIPTION	ITEM

THIS DRAWING IS A CONTROLLED DOCUMENT.

DIMENSIONS: mm

TOLERANCES UNLESS OTHERWISE SPECIFIED: % OF NOMINAL TOLERANCE

MATERIAL: SEE TABLE

FINISH: -

DWN: A. ZHANG
CHK: R. ZHOU

03JUN2005
25OCT2005

NAME: 2.5mm SOCKET CONNECTOR, 2-4POS WITH SECONDARY LOCKING

PRODUCT SPEC: 108-101006
APPLICATION SPEC: 114-18255-0

SIZE: A1
CAGE CODE: 1813099
DRAWING NO: 100779

RESTRICTED TO: A2

SCALE: 3:1
SHEET: 1 OF 1
REV: A2

Mouser Electronics

Authorized Distributor

Click to View Pricing, Inventory, Delivery & Lifecycle Information:

[TE Connectivity:](#)

[1-1813099-1](#)