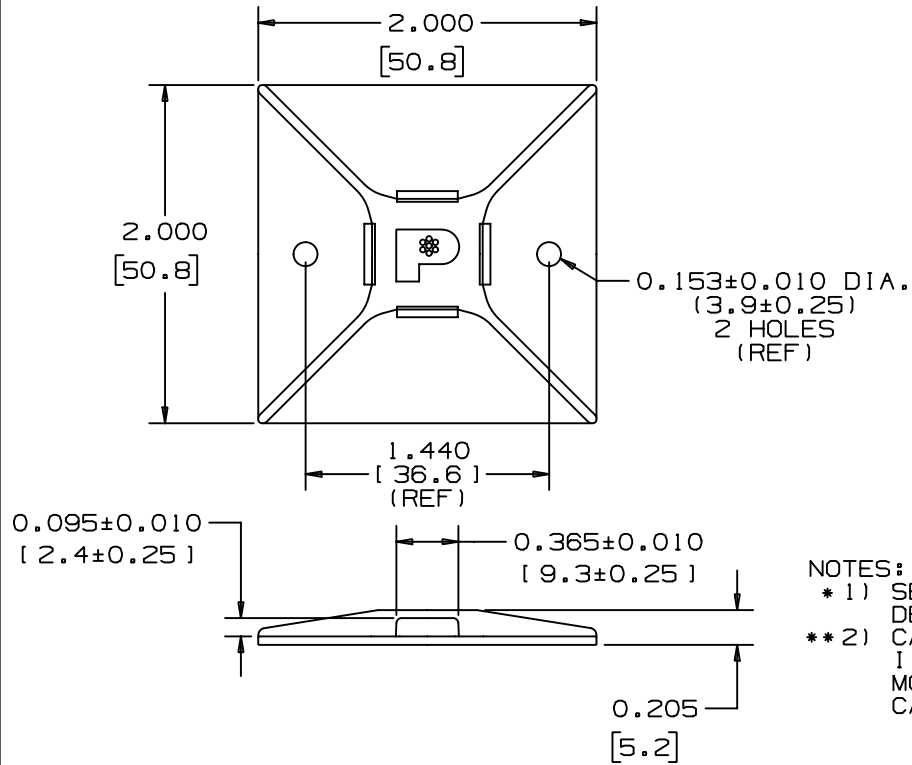


THIS COPY IS PROVIDED ON A RESTRICTED BASIS AND IS NOT TO BE USED IN ANY WAY DETRIMENTAL TO THE INTERESTS OF PANDUIT CORP.

PANDUIT* PART NO.	USE WITH THESE CABLE TIE ** CROSS SECTIONS	WEIGHT lbs /100 pcs. (g)
ABM4H-S6	M, I, S, LH & H	0.90 (408)



NOTES:

- \* 1) SEE CURRENT PRICE SHEET FOR PART NUMBER SUFFIX DESIGNATIONS FOR PACKAGE SIZE.
- \*\* 2) CABLE TIE CROSS SECTION CODE: M=MINIATURE, I=INTERMEDIATE, S=STANDARD, LH=LIGHT HEAVY, H=HEAVY. MOUNT SHOULD NOT BE USED WITH M, I OR S CROSS SECTION CABLE TIES WITH LESS THAN A 2" BUNDLE DIAMETER.

(DIMENSIONS IN PARENTHESES ARE IN METRIC.)

CAD FILENAME/LAYERS

G00239GS\_DC\_01

**PANDUIT**

CORP. TINLEY PARK, ILLINOIS

ABM4H-S6

UNLESS OTHERWISE SPECIFIED,  
DIMENSIONAL TOLERANCES ARE:  
(.X) ±0.1(2.5) (.XXX) ± 0.020(1.5)  
(.XX) ± 0.05(1.3) ANGLES ± 5°

UNLESS OTHERWISE SPECIFIED,  
ALL DIMENSIONS ARE GIVEN  
IN INCHES, THIRD ANGLE PROJECTION.

REV	DATE	BY	CHK	DESCRIPTION	ECN	R	CUST	SUP
I	10-30-00	CGSM		CHANGED DIMENSIONS TO REF DIMENSIONS	GB0239GS	I		
R	10-6-00	CGSM		INITIAL RELEASE	GB0239GS	R		

DRAWN BY  
CGSM

MAT'L:

SCALE

FULL

DATE  
10-6-00

WHITE  
NYLON 6/6

DRAWING NO.

GB0239GS

DWG

A

SIZE

# Mouser Electronics

Authorized Distributor

Click to View Pricing, Inventory, Delivery & Lifecycle Information:

[Panduit:](#)

[ABM4H-S6-T](#)