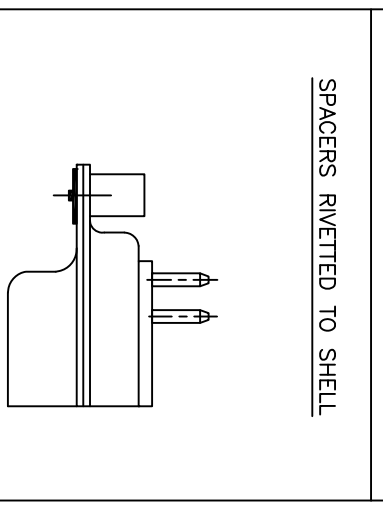
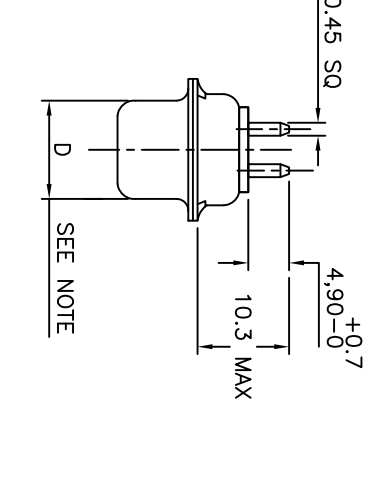
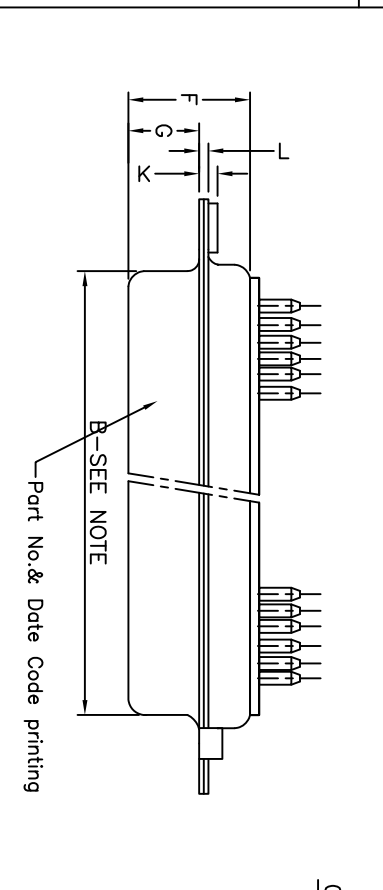


NOTE: INSIDE DIMENSION OF MALE AND OUTSIDE DIMENSION OF THE FEMALE CONNECTOR

TECHNICAL SPECIFICATIONS

SHELL SIZE	P	DIMENSIONS										
		A ⁰ _{+0.76}	B ⁰ _{+0.25}	C ⁰ _{±0.12}	D ⁰ _{+0.25}	E ⁰ _{+0.76}	F ⁰ _{MAX}	G ⁰ _{+0.15}	H ⁰ _{+0.51}	J ⁰ _{+0.51}	K ⁰ _{±0.2}	L ⁰ _{+0.22}
50	P	66.65	52.68	61.11	11.08	14.99	11.09	5.85	55.07	13.31	1.50	1.0
	S	66.65	52.30	61.11	10.62	14.99	11.21	6.05	55.07	13.31	1.10	0.8
37	P	68.94	55.30	63.50	8.23	12.17	11.09	5.85	57.45	10.46	1.50	1.0
	S	68.94	54.71	63.50	7.77	12.17	11.21	6.05	57.45	10.46	1.10	0.8
25	P	52.65	38.84	47.04	8.23	12.17	11.07	5.85	41.02	10.46	1.10	0.8
	S	52.65	38.25	47.04	7.77	12.17	11.21	6.05	41.02	10.46	1.10	0.8
15	P	38.76	25.12	33.32	8.23	12.17	10.99	5.85	27.25	10.46	1.10	0.8
	S	38.76	24.54	33.32	7.77	12.17	11.21	6.05	27.25	10.46	1.10	0.8
09	P	30.43	16.79	24.99	8.23	12.17	10.99	5.85	19.02	10.46	1.10	0.8
	S	30.43	16.21	24.99	7.77	12.17	11.21	6.05	19.02	10.46	1.10	0.8



ORD CODE - 8630-01-062

SPACERS RIVETTED TO SHELL

MALE SCREW LOCK

PREFIX: - S

ORD CODE:-
 8630-05 (E.A.B.C.) FEMALE
 8630-03 D SHELL FEMALE
 8630-15 D SHELL MALE
 8630-04 E.A.B.C SHELL
 WITH METAL HOOD

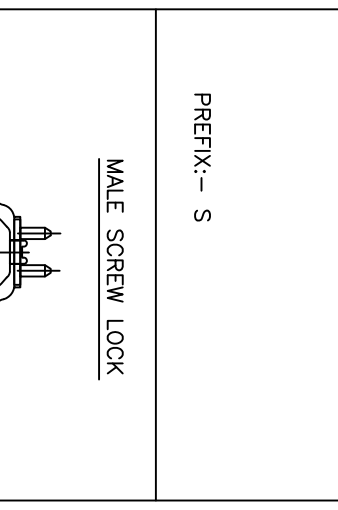
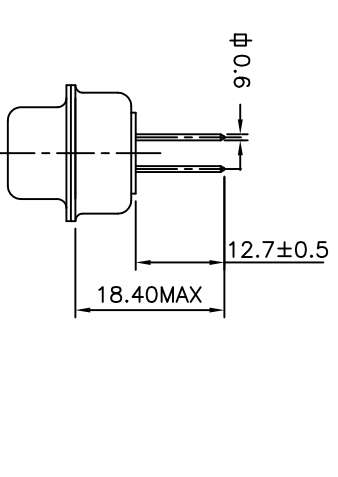
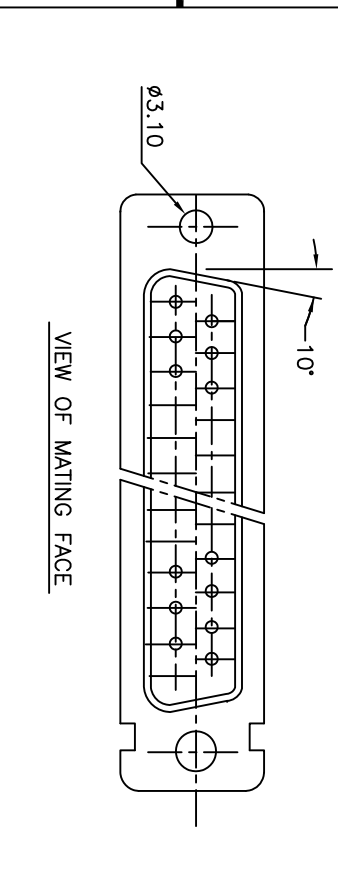
FOR 440 UNC 2A THREADED ADD UNC TO THE CORRESPONDING ORD. CODE.

CLINCH NUT

HEXAGONAL FEMALE SCREW

HARPOON RIVETTED TO SHELL

OPERATING TEMPERATURE : -55°C +125°C
 OPERATING CURRENT : 5 A PER CONTACT
 CONTACT RESISTANCE : $\leq 10\text{m}\Omega$
 INSULATION RESISTANCE : >5000 MΩ
 MAXIMUM VOLTAGE : 1000 V.r.m.s
 MECHANICAL ENDURANCE : 500 MATINGS FOR CODE 64
 200 MATINGS FOR CODE 65
 DAMP HEAT : 56 DAYS FOR >0.75μ GOLD PLATING
 21 DAYS FOR $\leq 0.40\mu$ GOLD PLATING



ORD CODE:-
 8630-05 (E.A.B.C.) FEMALE
 8630-03 D SHELL FEMALE
 8630-15 D SHELL MALE
 8630-04 E.A.B.C SHELL
 WITH METAL HOOD

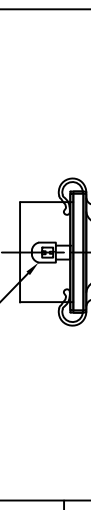
FOR 440 UNC 2A THREADED ADD UNC TO THE CORRESPONDING ORD. CODE.

CLINCH NUT

HEXAGONAL FEMALE SCREW

HARPOON RIVETTED TO SHELL

OPERATING TEMPERATURE : -55°C +125°C
 OPERATING CURRENT : 5 A PER CONTACT
 CONTACT RESISTANCE : $\leq 10\text{m}\Omega$
 INSULATION RESISTANCE : >5000 MΩ
 MAXIMUM VOLTAGE : 1000 V.r.m.s
 MECHANICAL ENDURANCE : 500 MATINGS FOR CODE 64
 200 MATINGS FOR CODE 65
 DAMP HEAT : 56 DAYS FOR >0.75μ GOLD PLATING
 21 DAYS FOR $\leq 0.40\mu$ GOLD PLATING



ORD CODE:-
 8630-05 (E.A.B.C.) FEMALE
 8630-03 D SHELL FEMALE
 8630-15 D SHELL MALE
 8630-04 E.A.B.C SHELL
 WITH METAL HOOD

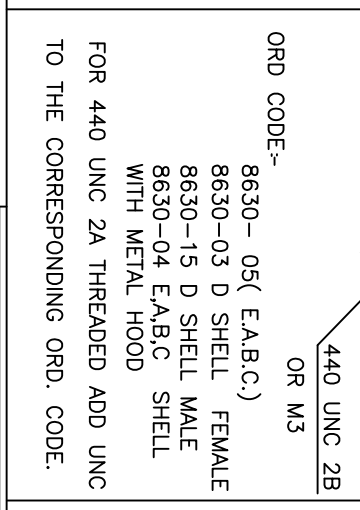
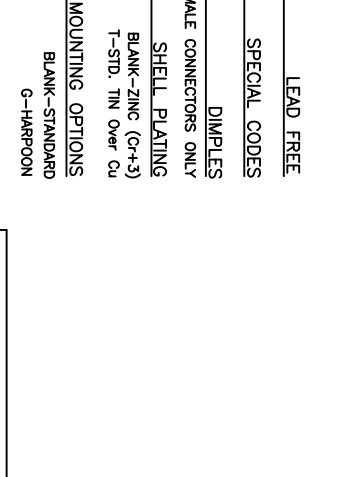
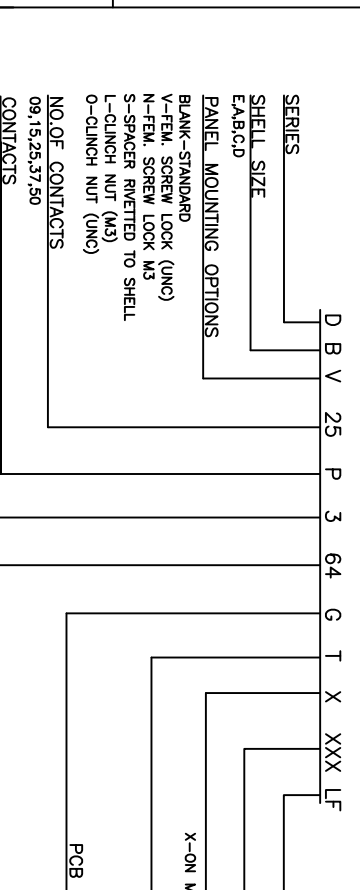
FOR 440 UNC 2A THREADED ADD UNC TO THE CORRESPONDING ORD. CODE.

CLINCH NUT

HEXAGONAL FEMALE SCREW

HARPOON RIVETTED TO SHELL

OPERATING TEMPERATURE : -55°C +125°C
 OPERATING CURRENT : 5 A PER CONTACT
 CONTACT RESISTANCE : $\leq 10\text{m}\Omega$
 INSULATION RESISTANCE : >5000 MΩ
 MAXIMUM VOLTAGE : 1000 V.r.m.s
 MECHANICAL ENDURANCE : 500 MATINGS FOR CODE 64
 200 MATINGS FOR CODE 65
 DAMP HEAT : 56 DAYS FOR >0.75μ GOLD PLATING
 21 DAYS FOR $\leq 0.40\mu$ GOLD PLATING



ORD CODE:-
 8630-05 (E.A.B.C.) FEMALE
 8630-03 D SHELL FEMALE
 8630-15 D SHELL MALE
 8630-04 E.A.B.C SHELL
 WITH METAL HOOD

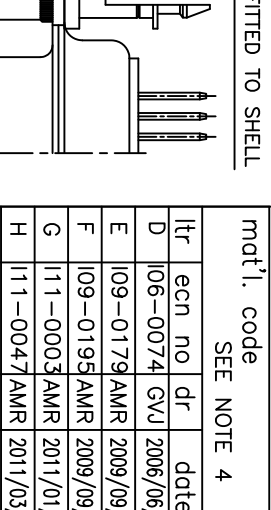
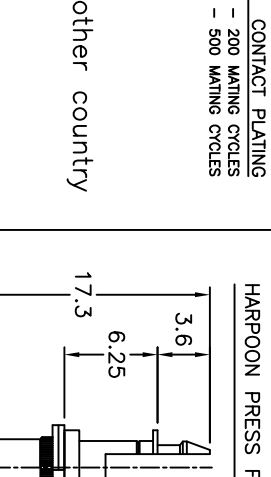
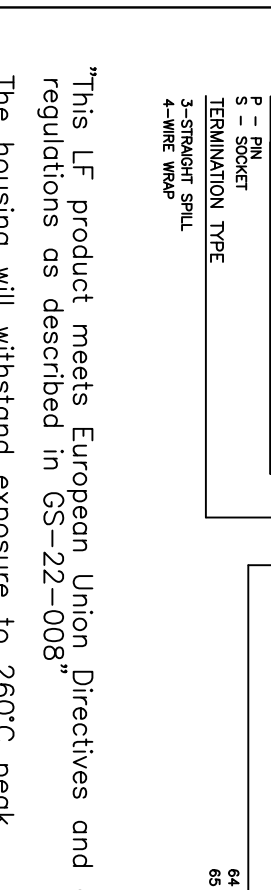
FOR 440 UNC 2A THREADED ADD UNC TO THE CORRESPONDING ORD. CODE.

CLINCH NUT

HEXAGONAL FEMALE SCREW

HARPOON RIVETTED TO SHELL

OPERATING TEMPERATURE : -55°C +125°C
 OPERATING CURRENT : 5 A PER CONTACT
 CONTACT RESISTANCE : $\leq 10\text{m}\Omega$
 INSULATION RESISTANCE : >5000 MΩ
 MAXIMUM VOLTAGE : 1000 V.r.m.s
 MECHANICAL ENDURANCE : 500 MATINGS FOR CODE 64
 200 MATINGS FOR CODE 65
 DAMP HEAT : 56 DAYS FOR >0.75μ GOLD PLATING
 21 DAYS FOR $\leq 0.40\mu$ GOLD PLATING



ORD CODE:-
 8630-05 (E.A.B.C.) FEMALE
 8630-03 D SHELL FEMALE
 8630-15 D SHELL MALE
 8630-04 E.A.B.C SHELL
 WITH METAL HOOD

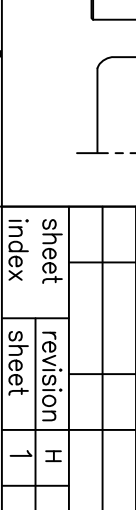
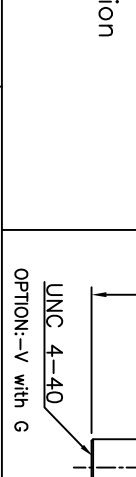
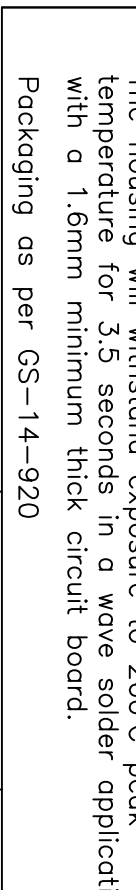
FOR 440 UNC 2A THREADED ADD UNC TO THE CORRESPONDING ORD. CODE.

CLINCH NUT

HEXAGONAL FEMALE SCREW

HARPOON RIVETTED TO SHELL

OPERATING TEMPERATURE : -55°C +125°C
 OPERATING CURRENT : 5 A PER CONTACT
 CONTACT RESISTANCE : $\leq 10\text{m}\Omega$
 INSULATION RESISTANCE : >5000 MΩ
 MAXIMUM VOLTAGE : 1000 V.r.m.s
 MECHANICAL ENDURANCE : 500 MATINGS FOR CODE 64
 200 MATINGS FOR CODE 65
 DAMP HEAT : 56 DAYS FOR >0.75μ GOLD PLATING
 21 DAYS FOR $\leq 0.40\mu$ GOLD PLATING



ORD CODE:-
 8630-05 (E.A.B.C.) FEMALE
 8630-03 D SHELL FEMALE
 8630-15 D SHELL MALE
 8630-04 E.A.B.C SHELL
 WITH METAL HOOD

FOR 440 UNC 2A THREADED ADD UNC TO THE CORRESPONDING ORD. CODE.

CLINCH NUT

HEXAGONAL FEMALE SCREW

HARPOON RIVETTED TO SHELL

OPERATING TEMPERATURE : -55°C +125°C
 OPERATING CURRENT : 5 A PER CONTACT
 CONTACT RESISTANCE : $\leq 10\text{m}\Omega$
 INSULATION RESISTANCE : >5000 MΩ
 MAXIMUM VOLTAGE : 1000 V.r.m.s
 MECHANICAL ENDURANCE : 500 MATINGS FOR CODE 64
 200 MATINGS FOR CODE 65
 DAMP HEAT : 56 DAYS FOR >0.75μ GOLD PLATING
 21 DAYS FOR $\leq 0.40\mu$ GOLD PLATING



ORD CODE:-
 8630-05 (E.A.B.C.) FEMALE
 8630-03 D SHELL FEMALE
 8630-15 D SHELL MALE
 8630-04 E.A.B.C SHELL
 WITH METAL HOOD

FOR 440 UNC 2A THREADED ADD UNC TO THE CORRESPONDING ORD. CODE.

CLINCH NUT

HEXAGONAL FEMALE SCREW

HARPOON RIVETTED TO SHELL

OPERATING TEMPERATURE : -55°C +125°C
 OPERATING CURRENT : 5 A PER CONTACT
 CONTACT RESISTANCE : $\leq 10\text{m}\Omega$
 INSULATION RESISTANCE : >5000 MΩ
 MAXIMUM VOLTAGE : 1000 V.r.m.s
 MECHANICAL ENDURANCE : 500 MATINGS FOR CODE 64
 200 MATINGS FOR CODE 65
 DAMP HEAT : 56 DAYS FOR >0.75μ GOLD PLATING
 21 DAYS FOR $\leq 0.40\mu$ GOLD PLATING