

PRODUCT NUMBER
XXXX-XXX HTLF

LEAD FREE OPTION
SEE NOTE 1,8

TUBE PACKAGING OPTION
SEE NOTE 1

HIGH TEMPERATURE PLASTIC
SEE NOTE 1

NO OF POSITIONS
SEE NOTE 1

PIN PLATING
SEE SHEET 2

BASE PART NO.

68015-X XX-XXX XXX LF

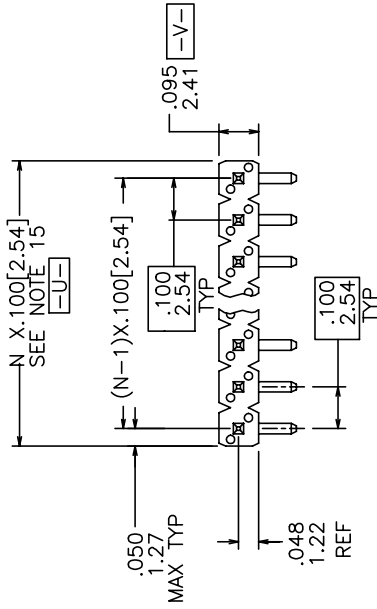
TAIL LENGTH (EXAMPLE BELOW)
3.0mm=030 12.8mm=128 (SEE NOTE 11 & 12)

MATING LENGTH (EXAMPLE BELOW)
5.0mm=050 25.5mm=255 (SEE NOTE 11 & 12)

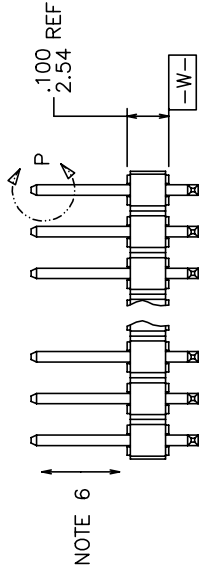
TOTAL NUMBER OF POSITION
FROM 1 THRU 36 POS. (SEE NOTE 1)

PIN PLATING (SEE NOTE 13)
1=0.76µm Au
4= PURE TIN
8=0.36µm Au

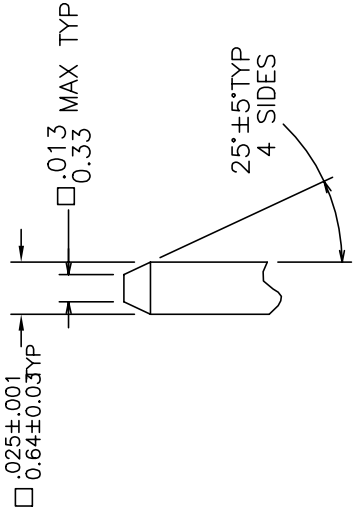
BASE PART NO.
SINGLE ROW RIGHT ANGLE



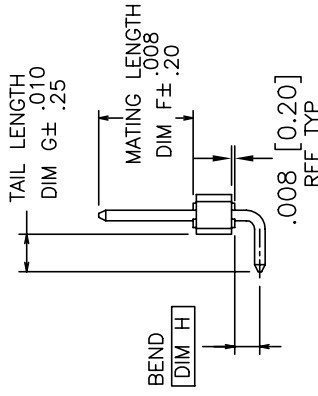
TOP VIEW



SIDE VIEW



DETAIL P
TYP BOTH ENDS



END VIEW

⊕ ⌀.020/0.51 (M) U (M) V (S) W
NOTE 4

□ .025±.001
□ 0.64±0.03 TYP

□ .013 MAX TYP

25.±5° TYP
4 SIDES

mat'l. code	surface	tolerance	projection	product family
SEE NOTES 2 & 3	ISD 1302	ISD 406		BERGSTIK
tr/elect n°/dr	date	tolerances unless otherwise specified	title	
BB BX-N-16105 ZK	10/22/13	.XX±.01/.XX±.03	BERGSTIK® II HEADER	
BC BX-N-16356 ZK	11/25/13	.XX±.01/.XX±.03	.100/2.54cc SR R/A	
		angles	scale 2:1	
		0°±2°		
AV IM08-0169 MHT	6/16/08	br T.BREWBAKER	01/31/95	sheet 1 of 4 size
AW IM08-0267 MHT	9/25/08	chr T.HANNA	01/31/95	A3
AX IM08-0331 MHT	12/01/08	chr T.HANNA	01/31/95	
BA IM11-0118 JZ	04/11/11	lapped T.HANNA	01/31/95	
sheet	revisior	BC BC BC		Product Customer Drawing
index	sheet	1 2 3 4		



PRODUCT NUMBER	MATING LENGTH		TAIL LENGTH		BEND DIM		PACKAGING	LF OPTION
	DIM F	METRIC	DIM G	METRIC	DIM H	METRIC		
68015-XY	0.230	5.84	0.090	2.29	0.060	1.52	POLY BAGS/TUBES	NOTE 1,8
68016-XY	0.230	5.84	0.120	3.05	0.060	1.52	POLY BAGS/TUBES	
68023-XY	0.135	3.43	0.305	7.75	0.135	3.43	POLY BAGS	
68417-XY	0.230	5.84	0.390	9.91	0.060	1.52	POLY BAGS	
68423-XY	0.318	8.08	0.120	3.05	0.060	1.52	POLY BAGS/TUBES	
68458-XY	0.318	8.08	0.110	2.79	0.060	1.52	POLY BAGS	
68461-XY	0.400	10.16	0.320	8.13	0.260	6.60	POLY BAGS	
68468-XY	0.230	5.84	0.195	4.95	0.160	4.06	POLY BAGS	OB
68488-XY	0.230	5.84	0.180	4.57	0.060	1.52	POLY BAGS	
68494-XY	0.400	10.16	0.110	2.79	0.060	1.52	POLY BAGS	OB
68498-XY	0.230	5.84	0.220	5.59	0.160	4.06	POLY BAGS	
68626-XY	0.230	5.84	0.295	7.49	0.060	1.52	POLY BAGS	
68627-XY	0.120	3.05	0.185	4.70	0.150	3.81	POLY BAGS	OB
68628-XY	0.230	5.84	0.590	14.99	0.060	1.52	POLY BAGS	OB
68641-XY	0.230	5.84	0.490	12.45	0.060	1.52	POLY BAGS	OB
68660-XY	0.110	2.79	0.230	5.84	0.135	3.43	POLY BAGS	OB
68694-XY	0.600	15.24	0.120	3.05	0.060	1.52	POLY BAGS	OB
68757-XY	0.350	8.89	0.220	5.59	0.100	2.54	POLY BAGS	OB
68758-XY	0.275	6.99	0.120	3.05	0.060	1.52	POLY BAGS	
68764-XY	0.100	2.54	0.120	3.05	0.060	1.52	POLY BAGS	
68782-XY	0.318	8.08	0.180	4.57	0.060	1.52	POLY BAGS	OB
68798-XY	0.110	2.79	0.230	5.84	0.160	4.06	POLY BAGS	NOTE 1,8
69189-XY	0.310	7.87	0.250	6.35	0.060	1.52	POLY BAGS	OB
71270-XY	0.600	15.24	0.189	4.80	0.060	1.52	POLY BAGS	OB
72342-XY	0.120	3.05	0.250	6.35	0.060	1.52	POLY BAGS	OB
78230-XY	0.310	7.87	0.330	8.38	0.060	1.52	POLY BAGS	OB
78231-XY	0.310	7.87	0.290	7.37	0.060	1.52	POLY BAGS	OB

mat'l. code	surface	tolerance	projection	product family
SEE NOTES 2 & 3	ISO 1302	ISO 406	1st angle	BERGSTIK
(tr/ecn n°dr date	tolerances unless otherwise specified	linear	INCH/MM	title
BC	angles	XXL01/XXL3	scale 2:1	BERGSTIK® II HEADER
	0±2	XXX.005/XXX.01		.100/2.54cc SR R/A
	dr	T.BREWBAKER 01/31/95		dwg no 68015
	engr	T.HANNA 01/31/95		sheet:3of4 size A3
	chr	T.HANNA 01/31/95		Product Customer Drawing
	appd	T.HANNA 01/31/95		
sheet revision				
index sheet				

