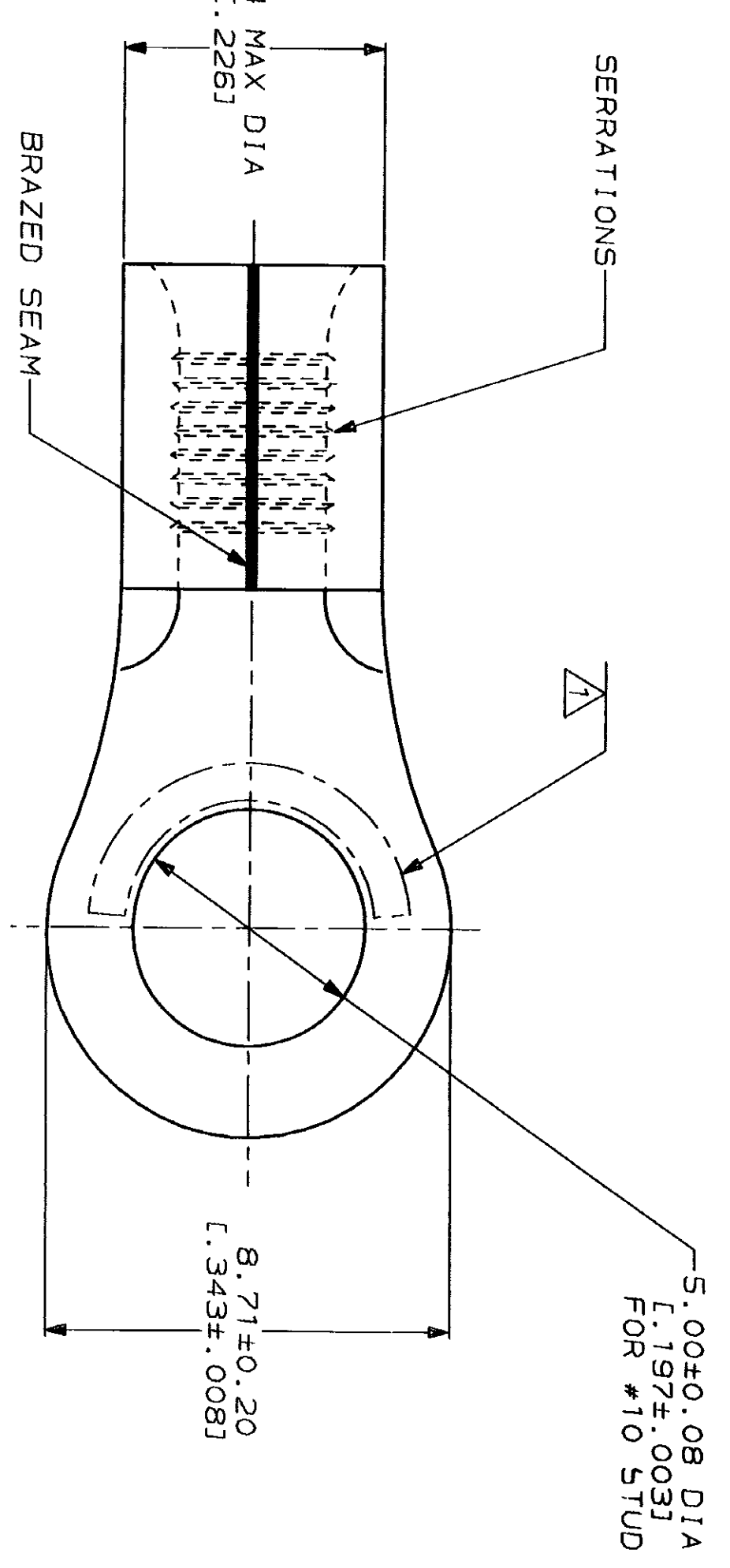
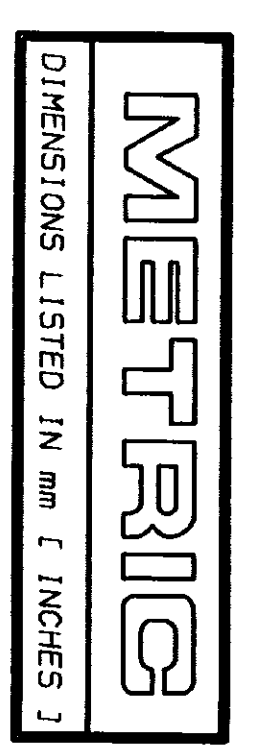
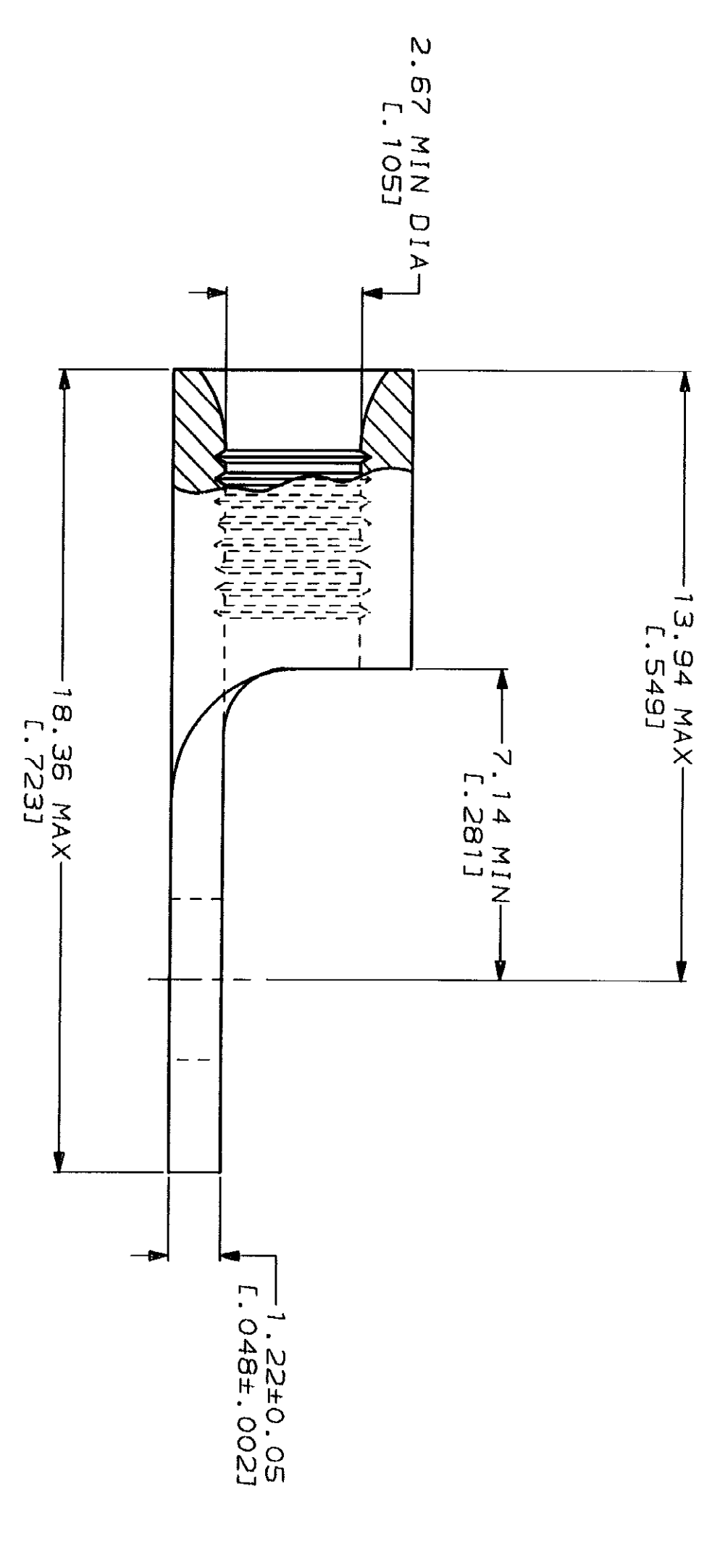


LOC	DIST	REV	ZONE	LTR	DESCRIPTION	DATE	APPD
G	14				REV. RDRW. & SM PKG PER 0720-0040-93	3-17-93	gk DAP



<b>AMP</b> WIRE RANGE	<b>UL</b> E13288 Listed
16-14HD AWG SOLID OR STRANDED	16-14HD AWG STRANDED
<b>LR7189</b> Certified	MILITARY P/N AND CLASS
16-14HD AWG SOLID OR STRANDED	NOT APPLICABLE

△ STAMP AMP 16-14HD\* APPROX AS SHOWN



**AMP INCORPORATED**  
**CUSTOMER SERVICE SYSTEMS**

FOR ADDITIONAL PRODUCT INFORMATION OR COPIES OF DRAWINGS AND TECHNICAL DOCUMENTS	PRODUCT INFORMATION CENTER 1-800-522-6752
FOR APPLICATION TOOLING INFORMATION	TOOLING ASSISTANCE CENTER 1-800-722-1111
FOR ORDER ENTRY	1-800-526-5142

MAX RECOMMENDED OPERATING TEMPERATURE:	170°C MAX
VOLTAGE RATING:	NOT APPLICABLE
WIRE CROSS SECTIONAL AREA RANGE: SOLID OR STRANDED	1.04-2.62mm <sup>2</sup> [2.050-5.180] CIR MILS

DO NOT SCALE PRINT.  
 UNLESS SPECIFIED  
 DIMENSIONS IN mm FINISHES—  
 TOLERANCES ON:  
 2 PLG DEC ± .05  
 3 PLG DEC ± .02  
 ANGLES  
 MATERIAL  
 COPPER PER  
 ASTM B-152  
 ANNEALED

DR 3-17-93 GL KRUBER
CHK 3-17-93 DA PATTERSON
APPD 3-17-93 DE MILLER
APPD 3-17-93 JL MECKLEY
PRODUCT SPEC
APPLICATION SPEC
WEIGHT

FINISH	TIN PLATE
0.00254 [1.000100] MIN THK PER MIL-1-10727	

100	LOOSE PIECE, BOX	8-34567-1
2500	ON TAPE	2-34567-1
---	LOOSE PIECE	34567
	PACKAGING TYPE	PART NO

**AMP**  
 AMP Incorporated  
 Harrisburg, PA 17105-3608

SIZE	CAGE CODE	DRAWING NO
SCALE	00779	G-34567
8:1		

# Mouser Electronics

Authorized Distributor

Click to View Pricing, Inventory, Delivery & Lifecycle Information:

[TE Connectivity:](#)

[34567](#)