



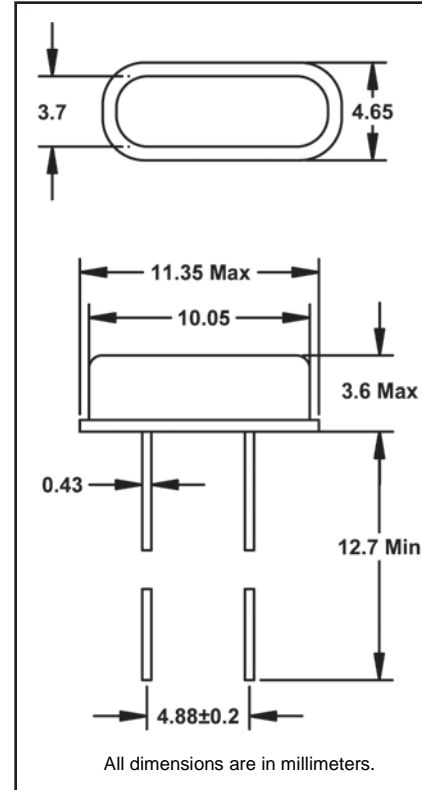
Thru-Hole Crystal

C4ST (former HC49SLF) DATASHEET

- Tolerances down to 10 PPM
- Stabilities down to 5 PPM
- Operating Temperature Range to -55°C ~ +125°C

• C4ST STANDARD SPECIFICATIONS	
PARAMETERS	MAX (unless otherwise noted)
Frequency Range	3.200 ~ 80.000 MHz
Frequency Tolerance @ 25°C	(See options on page 2)
Frequency Stability, ref @ 25°C	(See options below)
Temperature Range	
Operating (TOPR)	(See options below)
Storage (TSTG)	-40°C ~ +125°C
Shunt Capacitance (Co)	7pF
Load Capacitance (CL)	(See options on page 2)
Drive Level	0.5 mW (0.1 mW Typical)
Aging per year	±3 PPM
Maximum Soldering Temp / Time	260°C / 10 Seconds
Moisture Sensitivity Level (MSL)	1
Termination Finish	Sn/Ag/Cu
Seam Method	Resistance Weld
Lead (Pb) Free	Yes
RoHS Compliant	Yes

Frequency Range (MHz)	Operating Mode	Max ESR Ω
3.200 ~ 3.500	Fundamental	300
3.500001 ~ 4.000	Fundamental	200
4.000001 ~ 5.000	Fundamental	150
5.000001 ~ 6.000	Fundamental	120
6.000001 ~ 7.000	Fundamental	100
7.000001 ~ 9.000	Fundamental	80
9.000001 ~ 13.000	Fundamental	60
13.000001 ~ 20.000	Fundamental	40
20.000001 ~ 40.000	Fundamental	30
27.000000 ~ 70.000	3rd OT	100
70.000001 ~ 80.000	3rd OT	70



Note: Dimensional drawing is for reference to critical specifications defined by size measurements. Certain non-critical visual attributes, such as side castellations, etc. may vary. All specifications subject to change without notice.

• Available Operating Temperatures and Stabilities*

Operating Temperature	±5 PPM	±10 PPM	±15 PPM	±20 PPM	±25 PPM	±30 PPM	±50 PPM	±100 PPM
-10°C to +60°C	O	O	O	O	O	O	O	O
-20°C to +70°C	Δ	O	O	O	O	O	O	O
-40°C to +85°C	X	X	O	O	O	O	O	O
-40°C to +105°C	X	X	X	X	X	Δ	O	O
-40°C to +125°C	X	X	X	X	X	X	Δ	
-55°C to +125°C	X	X	X	X	X	X	Δ	O

Key: O=Available, X=Not Available, Δ=Consult Fox Technical Support
*Does not imply a stocked part.

<p>© Copyright 2017 Fox Electronics. All rights reserved</p>	Title / Description: C4ST STANDARD SPECIFICATIONS		
	Drawing Number: 100955		Size: A
	Part Number:		Cage: 61429
	Draftsperson: CMR	Approved: RB	Revision Date: 05/25/2017



Thru-Hole Crystal

C4ST
(former HC49SLF)
DATASHEET

Available Options & Part Identification for Thru-Hole Crystal C4ST*
F C4ST C B M F 16.000

F	C4ST	C	B	M	F	16.000
FOX	Model Number	Tolerance B=50ppm C=30ppm D=25ppm E=20ppm F=15ppm H=10ppm	Stability A=100ppm B=50ppm C=30ppm D=25ppm E=20ppm F=15ppm H=10ppm L=5ppm	Load Capacitance A=Series E=10pF G=12pF K=16pF L=18pF M=20pF N=22pF P=27pF Q=30pF R=32pF S=33pF	Operating Temperature D=-10 to +60C F=-20 to +70C M=-40 to +85C P=-40 to +105C I=-40 to +125C T=-55 to +125C	Frequency (MHz)

*Not all frequency, tolerance, stability, load, and operating temperature combinations may be available.

• C4ST (former HC49SLF) Standard Crystals					
Part Number	Frequency	Tolerance	Stability	Temp Range	CL
FOXSLF/036S	3.579545	± 30 ppm	± 50 ppm	-20 to +70 C	18pF
FOXSLF/0368S	3.686400	± 30 ppm	± 50 ppm	-20 to +70 C	Series
FOXSLF/0368-20	3.686400	± 30 ppm	± 50 ppm	-20 to +70 C	20pF
FOXSLF/040A	4.000000	± 30 ppm	± 50 ppm	-20 to +70 C	Series
FOXSLF/040	4.000000	± 30 ppm	± 50 ppm	-20 to +70 C	20pF
FOXSLF/073-20	7.372800	± 30 ppm	± 50 ppm	-20 to +70 C	20pF
FOXSLF/080	8.000000	± 30 ppm	± 50 ppm	-20 to +70 C	Series
FOXSLF/080-20	8.000000	± 30 ppm	± 50 ppm	-20 to +70 C	20pF
FOXSLF/100-20	10.000000	± 30 ppm	± 50 ppm	-20 to +70 C	20pF
FOXSLF/115	11.059200	± 30 ppm	± 50 ppm	-20 to +70 C	Series
FOXSLF/115-20	11.059200	± 30 ppm	± 50 ppm	-20 to +70 C	20pF
FOXSLF/120	12.000000	± 30 ppm	± 50 ppm	-20 to +70 C	Series
FOXSLF/120-20	12.000000	± 30 ppm	± 50 ppm	-20 to +70 C	20pF
FOXSLF/147-20	14.745600	± 30 ppm	± 50 ppm	-20 to +70 C	20pF
FOXSLF/160	16.000000	± 30 ppm	± 50 ppm	-20 to +70 C	Series
FOXSLF/160-20	16.000000	± 30 ppm	± 50 ppm	-20 to +70 C	20pF
FOXSLF/184-20	18.432000	± 30 ppm	± 50 ppm	-20 to +70 C	20pF
FOXSLF/200	20.000000	± 30 ppm	± 50 ppm	-20 to +70 C	Series
FOXSLF/200-20	20.000000	± 30 ppm	± 50 ppm	-20 to +70 C	20pF
FOXSLF/250F-20	25.000000	± 30 ppm	± 50 ppm	-20 to +70 C	20pF

<p>© Copyright 2017 Fox Electronics. All rights reserved</p>	Title / Description: C4ST STANDARD SPECIFICATIONS		
	Drawing Number: 100955		Size: A
	Part Number:		Cage: 61429
	Draftsperson: CMR	Approved: RB	Revision Date: 05/25/2017



Thru-Hole Crystal

C4ST (former HC49SLF) DATASHEET



Corporate
Headquarters
5570 Enterprise Parkway
Fort Myers, FL 33905
<http://www.FOXONLINE.com>

Sales
1-888-GET-2-FOX (1-888-438-2369) or
1-239-693-0099
<http://www.FOXONLINE.com/repdisty>


Tech Support
<http://www.FOXONLINE.com/email>

PRODUCT USE: Fox Electronics reserves the right to modify the products and/or specifications described herein at any time and at Fox Electronics' sole discretion. All information in this document, including descriptions of product features and performance, is subject to change without notice. Performance specifications and the operating parameters of the described products are determined in the independent state and are not guaranteed to perform the same way when installed in customer products. The information contained herein is provided without representation or warranty of any kind, whether express or implied, including, but not limited to, the suitability of Fox Electronics' products for any particular purpose, an implied warranty of merchantability, or non-infringement of the intellectual property rights of others. This document is presented only as a guide and does not convey any license under intellectual property rights of Fox Electronics or any third parties.

Fox Electronics' products are not intended for use in applications involving extreme environmental conditions or in life support systems or similar devices where the failure or malfunction of a Fox Electronics product can be reasonably expected to significantly affect the health or safety of users. Anyone using a Fox Electronics product in such a manner does so at their own risk, absent an express, written agreement by Fox Electronics.

Fox Electronics and the Fox logo are registered trademarks of Fox Electronics. Product specification is subject to change without notice. Other trademarks and service marks used herein, including protected names, logos and designs, are the property of Fox Electronics or their respective third party owners.

For datasheet type definitions and a glossary of common terms, visit <http://www.foxonline.com/tgcrystals.html> .

 © Copyright 2017 Fox Electronics, All rights reserved	Title / Description: C4ST STANDARD SPECIFICATIONS		
	Drawing Number: 100955		Size: A
	Part Number:		Cage: 61429
	Draftsperson: CMR	Approved: RB	Revision Date: 05/25/2017