

Din-Rail Terminal Block

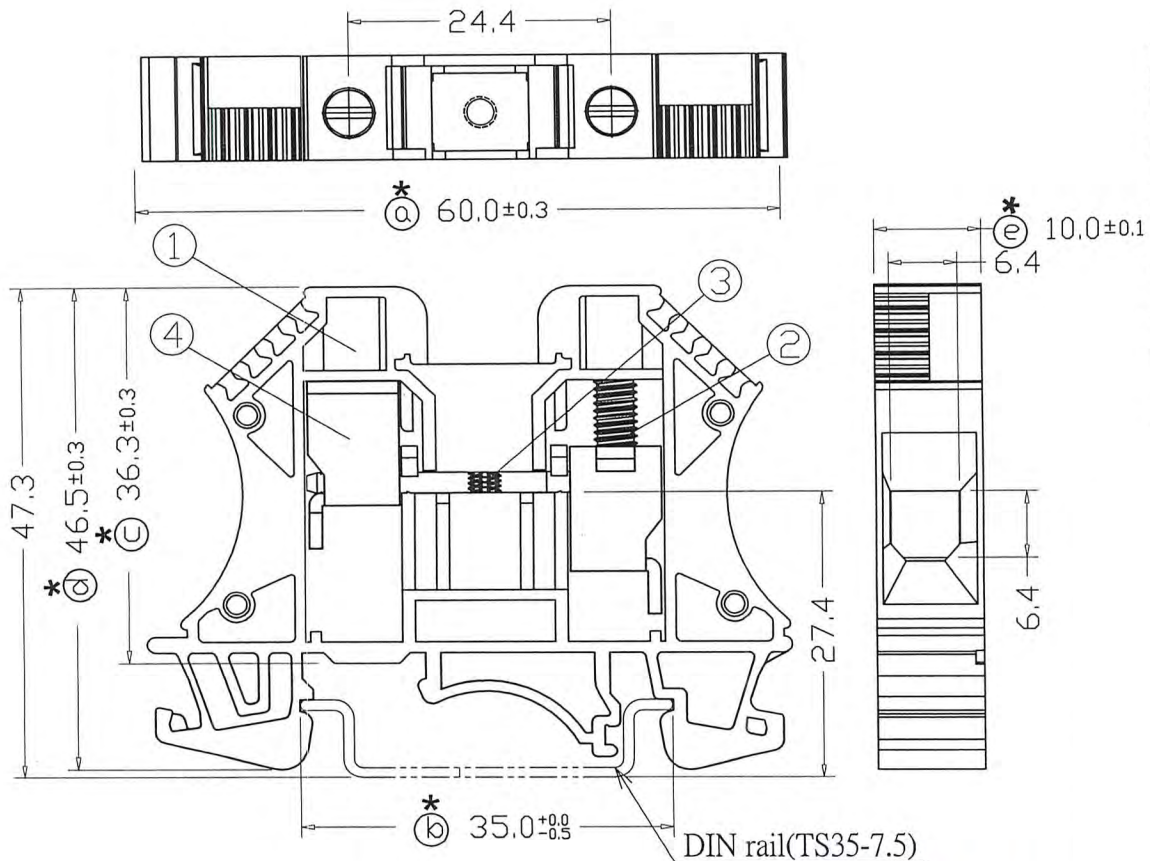


Specification	CUL	IEC
Rated Voltage	600 V	800 V
Rated Current	65 A	57 A
Solid Wire	16 ... 6 AWG	1.5 ... 10 mm ²
Stranded Wire	16 ... 6 AWG	1.5 ... 10 mm ²
Impulse Withstand Voltage	8 kV	
Torque (Terminal Screw)	2.18 Nm	
Terminal Screw	M4	
Wire Strip Length	12 ... 14 mm	
Mounting Din-Rail	TS35-7.5/TS35-15/TS32	

Material Specification

1 - Insulating Body	PA66 (UL94 V-0)
2 - Terminal Screw	Steel M4, Zinc Finish
3 - Terminal	Phosphor Bronze, Tin Plated
4 - Cage Clamp	Steel, Zinc Finish

Drawing



Art. Nr. - Insulation Colour
 RND 205-01329 - Grey
 RND 205-01330 - Blue



RND 205-01329



RND 205-01330

Din-Rail Terminal Block



Accessories



End Bracket
RND 205-01335



End Plate
RND 205-01336



Slotted VDE Screwdriver
RND 550-00389



Plug-In Bridges
RND 205-01338 - 2 Poles
RND 205-01339 - 3 Poles
RND 205-01340 - 4 Poles



Marking Tag Numbers
RND 205-01341
RND 205-01342



Top Hat DIN-Rails
RND 465-00764
RND 465-00765
RND 465-00766