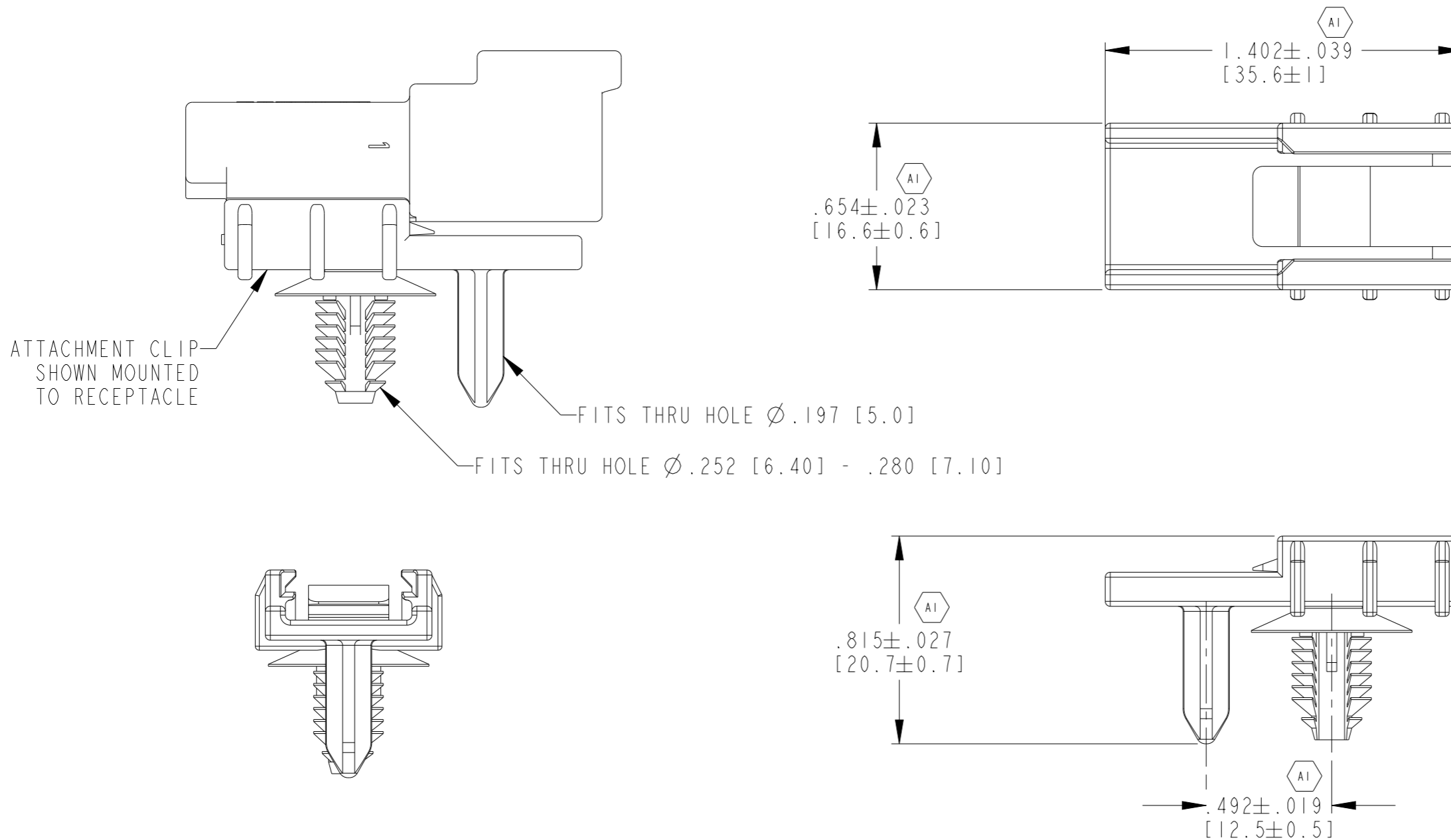


REVISIONS

P	LTR	DESCRIPTION	DATE	DWN	APVD
	NC	NEW RELEASE PER E.O. P19587	20JUL2007	RM	RDR
	A	SEE PCN: E-20-015876	20NOV2020	VNB	GL
	A1	SEE PCN: E-21-003111	11MAR2021	PN	GL



3. RECOMMENDED PANEL THICKNESS: .028 [0.70] - .201 [5.10].

2. THIS CLIP MATES WITH DT04-2P/3P/4P/6P/12P AND DTM04-2P THRU 12P.

1. COLOR: BLACK

NOTES:

THIS DRAWING IS A CONTROLLED DOCUMENT.		DWN R. MESSENGER 13 JUL 2007																
DIMENSIONS: IN [mm]		CHK J. APOSTOL 20 JUL 2007																
TOLERANCES UNLESS OTHERWISE SPECIFIED: ±.025 [0.63]		APVD S. BEARD 20 JUL 2007	NAME ATTACHMENT CLIP FOR RECEPTACLES FIR TREE STUD MOUNT DT AND DTM SERIES															
<table border="1"> <tr><td>0 PLC</td><td>±</td></tr> <tr><td>1 PLC</td><td>±</td></tr> <tr><td>2 PLC</td><td>±</td></tr> <tr><td>3 PLC</td><td>±</td></tr> <tr><td>4 PLC</td><td>±</td></tr> <tr><td>ANGLES</td><td>±</td></tr> </table>		0 PLC	±	1 PLC	±	2 PLC	±	3 PLC	±	4 PLC	±	ANGLES	±	PRODUCT SPEC -	SIZE A3	CAGE CODE 00779	DRAWING NO G-1011-310-0205	RESTRICTED TO -
0 PLC	±																	
1 PLC	±																	
2 PLC	±																	
3 PLC	±																	
4 PLC	±																	
ANGLES	±																	
MATERIAL PA66		APPLICATION SPEC -	SCALE 2:1		SHEET 1 OF 1	REV A1												
FINISH -		WEIGHT -	CUSTOMER DRAWING															

# Mouser Electronics

Authorized Distributor

Click to View Pricing, Inventory, Delivery & Lifecycle Information:

[TE Connectivity:](#)

[1011-310-0205](#)