

**Microdot**

TE Internal #: 1532208-2

Microminiature & Nanominiature D Connectors, Receptacle, Cable-to-Board, 100 Position, 1.27mm [.05in] Centerline, Wire & Cable

[View on TE.com >](#)

Connectors > D-Shaped Connectors > Microminiature & Nanominiature D Connectors

Connector & Housing Type: **Receptacle**Connector System: **Cable-to-Board**Number of Positions: **100**Centerline (Pitch): **1.27 mm [.05 in]**Connector & Contact Terminates To: **Wire & Cable****Features****Product Type Features**

Connector & Housing Type	Receptacle
Connector System	Cable-to-Board
Connector & Contact Terminates To	Wire & Cable

Configuration Features

Number of Positions	100
---------------------	-----

Contact Features

Contact Current Rating (Max)	3 A
------------------------------	-----

Housing Features

Centerline (Pitch)	1.27 mm[.05 in]
--------------------	-----------------

Usage Conditions

Operating Temperature Range	-55 – 125 °C[-67 – 257 °F]
-----------------------------	----------------------------

Operation/Application

Circuit Application	Signal
---------------------	--------

Product Compliance[For compliance documentation, visit the product page on TE.com>](#)

EU RoHS Directive 2011/65/EU	Not Compliant
------------------------------	---------------



EU ELV Directive 2000/53/EC

Not Compliant

China RoHS 2 Directive MIIT Order No 32, 2016

Restricted Materials Above Threshold

EU REACH Regulation (EC) No. 1907/2006

Current ECHA Candidate List: JUL 2021 (219)

Candidate List Declared Against: JUL 2021 (219)

SVHC > Threshold:

Cd (.2% in Component part)

Article Safe Usage Statements:

Use personal protective equipment as required. Do not eat, drink or smoke when using this product. Recycle if possible and dispose of the article by following all applicable governmental regulations relevant to your geographic location.

Halogen Content

Not Yet Reviewed for halogen content

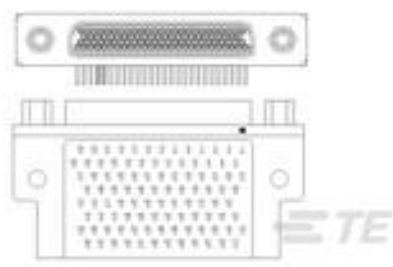
Solder Process Capability

Not lead free process capable

Product Compliance Disclaimer

This information is provided based on reasonable inquiry of our suppliers and represents our current actual knowledge based on the information they provided. This information is subject to change. The part numbers that TE has identified as EU RoHS compliant have a maximum concentration of 0.1% by weight in homogenous materials for lead, hexavalent chromium, mercury, PBB, PBDE, DBP, BBP, DEHP, DIBP, and 0.01% for cadmium, or qualify for an exemption to these limits as defined in the Annexes of Directive 2011/65/EU (RoHS2). Finished electrical and electronic equipment products will be CE marked as required by Directive 2011/65/EU. Components may not be CE marked. Additionally, the part numbers that TE has identified as EU ELV compliant have a maximum concentration of 0.1% by weight in homogenous materials for lead, hexavalent chromium, and mercury, and 0.01% for cadmium, or qualify for an exemption to these limits as defined in the Annexes of Directive 2000/53/EC (ELV). Regarding the REACH Regulation, the information TE provides on SVHC in articles for this part number is based on the latest European Chemicals Agency (ECHA) 'Guidance on requirements for substances in articles' posted at this URL: <https://echa.europa.eu/guidance-documents/guidance-on-reach>

Compatible Parts



TE Part # 1532257-4
M83513/12-H01NP = MCKS-N1-S-100PRT1

Customers Also Bought



TE Part #1903124-1
DYNAMIC D1000 TAB CONT TIN (M) L/P



TE Part #206503-4
RECEPT ASSY,62 POSN,AMPLIMITE



TE Part #316127-000
55A0121-20-0/9



TE Part #YDTS26F17-26PNV001
PLUG ASSY



TE Part #YDTS20F13-98SNV001
RECP ASSY



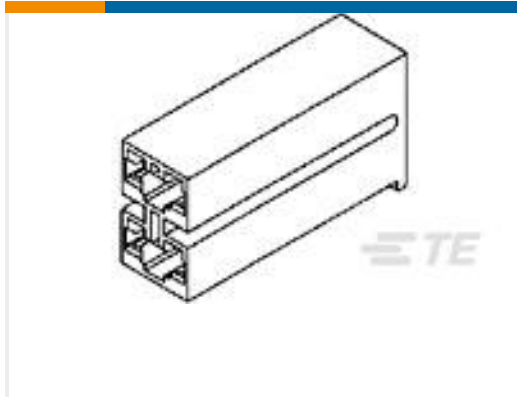
TE Part #YDTS20F17-26SNV001
RECP ASSY



TE Part #8-1393238-3
RTD34005



TE Part #1-170823-5
250 FASTON SLEEVE, REC.,
TRANSPARENT



TE Part #172210-1
POSITIVE LOCK 250 HOUSING
RECEPTACLE



TE Part #1532216-2
M83513/01-HC, MCKS-C2-B-100PS

Documents

Product Drawings

[M83513/02-HC, MCKS-C2-B-100SS](#)

English

CAD Files

Customer View Model

[ENG_CVM_CVM_1532208-2_B.2d_dxf.zip](#)

English

3D PDF

3D

Customer View Model

[ENG_CVM_CVM_1532208-2_B.3d_igs.zip](#)

English

Customer View Model

[ENG_CVM_CVM_1532208-2_B.3d_stp.zip](#)

English

By downloading the CAD file I accept and agree to the [Terms and Conditions](#) of use.

Datasheets & Catalog Pages

[Products for Aerospace and Defense](#)

English

Mouser Electronics

Authorized Distributor

Click to View Pricing, Inventory, Delivery & Lifecycle Information:

[TE Connectivity:](#)

[094-6936-0000](#)