



NE8FDV-SE

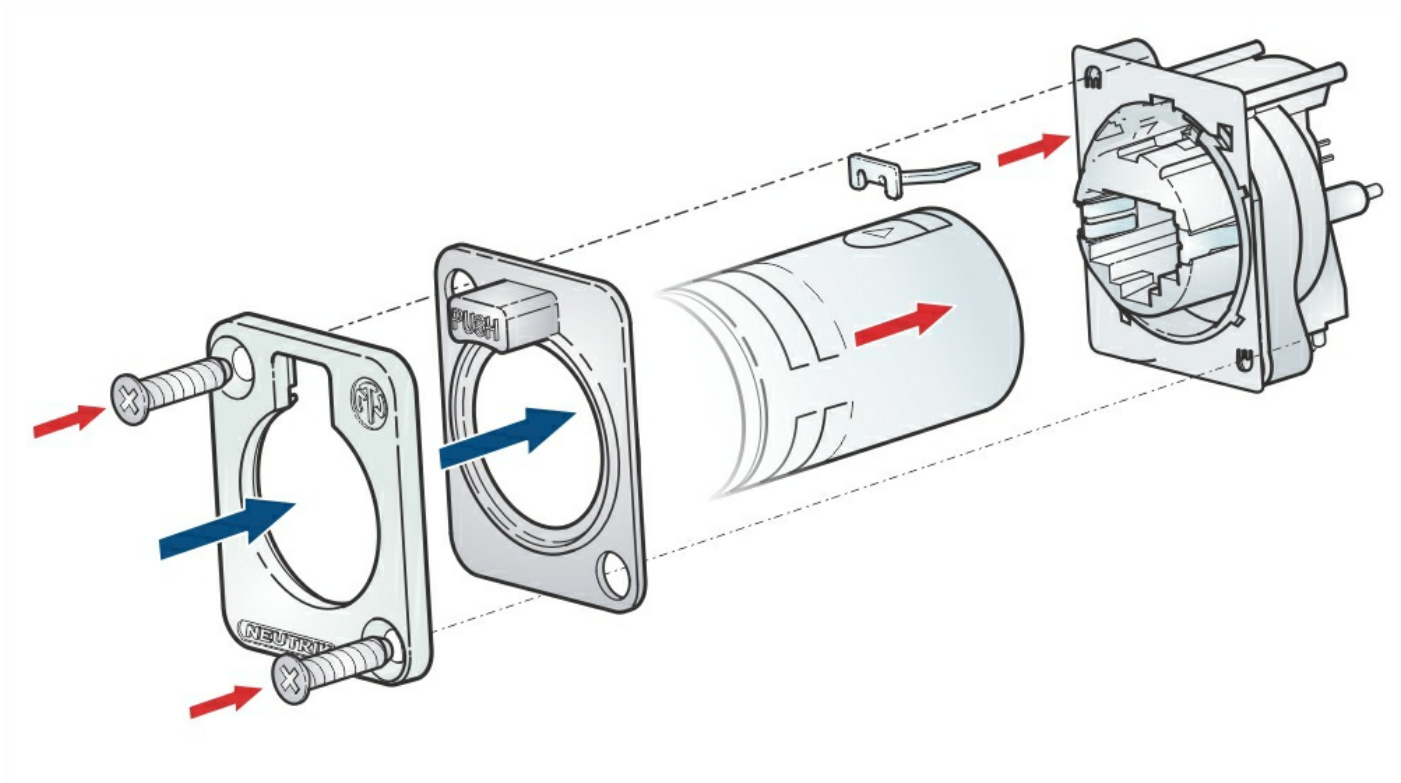
Vertical PCB panel mount RJ45 receptacle, combined with sealing kit SE8FD, max. panel thickness 4 mm, mounting screws not included

The etherCON Series is a ruggedized and lockable RJ45 connector system, optimized for pro audio, video and lightning network applications. The chassis connectors are shaped to fit into standardized panels out of the entertainment industry. The D-Series offers the most rugged design of the etherCON series and is perfectly suitable for panel mount and the installer market.

Attention! Does not intermate with CAT6 cable connector NE8MC6-MO and NKE6S* cables.

Features & Benefits

- In combination with NE8MC-1 waterproof according to IP54
- Accommodates NE8MC* or any standard RJ45 plug
- Complies with Class D according to TIA / EIA 568B and ISO / IEC 11801 standard
- Approved latch lock system
- Mountable from the front of the panel
- Ground-panel connection



Technical Information

Product	
Title	NE8FDV-SE
Gender	female

Electrical	
Contact resistance	< 10 mΩ
Dielectric strength	1 kVdc
Frequencyrange	1 - 100 MHz
Insulation resistance	> 0.5 GΩ
Rated current per contact	1.5 A
Rated voltage	< 50 V
Transmission performance	Class D
Standard compliance	TIA/EIA 586B, IEC11801

Mechanical	
Insertion force	≤ 20 N
Withdrawal force	≤ 20 N
Lifetime	> 1000 mating cycles
Panel thickness	2 mm - 4 mm , 0.08" - 0.16"
Wiresize	
Wiring	vertical PCB mount
Locking device	Latch lock

Material	
Contact plating	0.2 μm Au over Ni plating
Contacts	Bronze (CuSn8)
Insert	PBTP 15 % GR
Shell	Zinc diecast (ZnAl4Cu1)
Shell plating	Chromium

Environmental

Flammability	UL 94 V-0
Solderability	Complies with IEC 68-2-20
Temperature range	-30°C to +80 °C

Mouser Electronics

Authorized Distributor

Click to View Pricing, Inventory, Delivery & Lifecycle Information:

[Neutrik:](#)

[NE8FDV-SE](#)