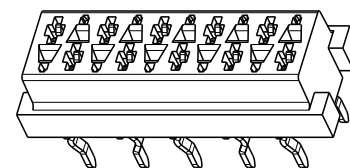
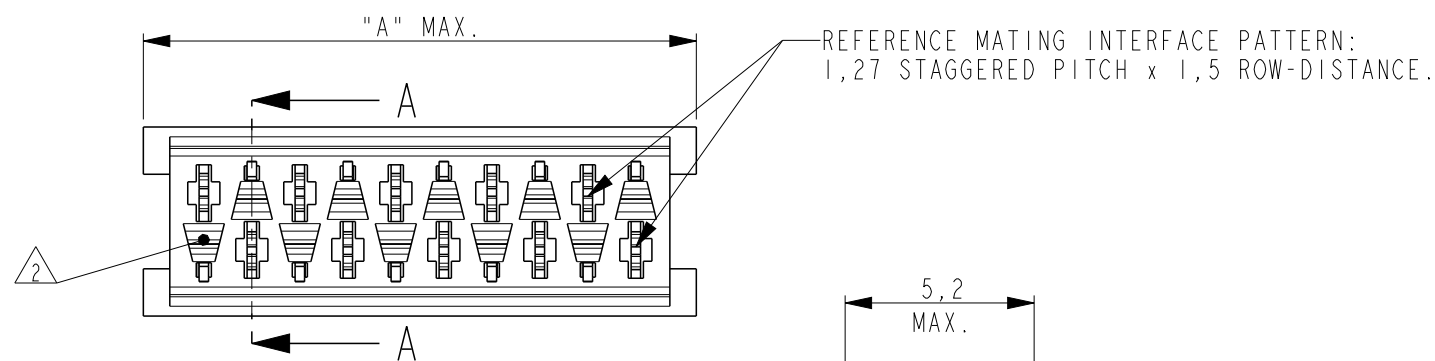


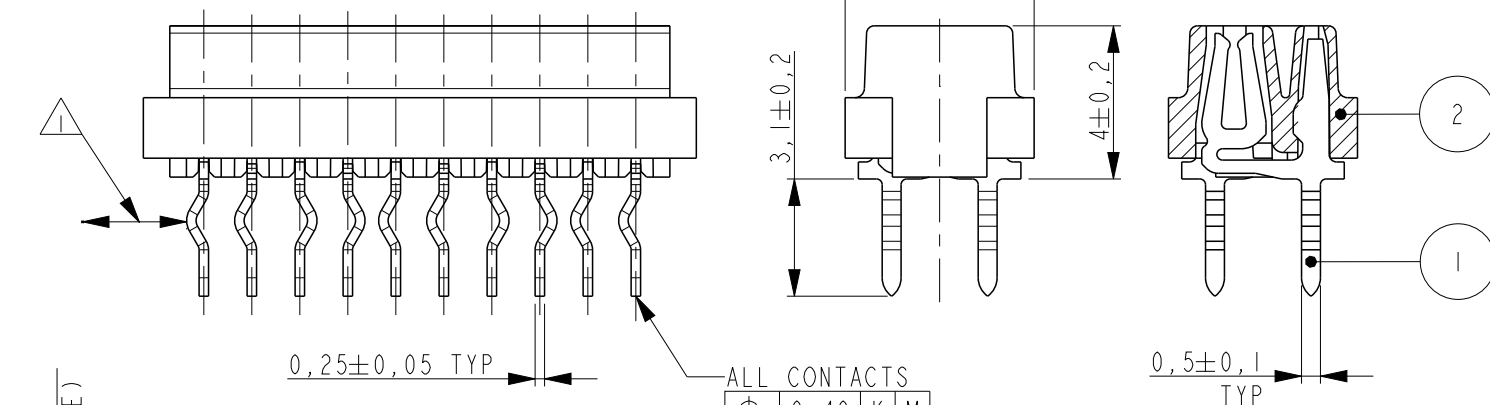
THIS DRAWING IS UNPUBLISHED. RELEASED FOR PUBLICATION  
© COPYRIGHT - BY - ALL RIGHTS RESERVED.

REVISIONS

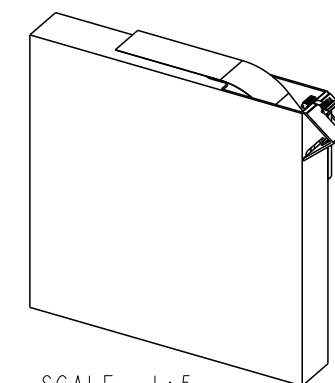
| P | LTR | DESCRIPTION                           | DATE      | DWN | APVD |
|---|-----|---------------------------------------|-----------|-----|------|
|   | Y1  | ADHESIVE TAPE WIDTH DIMENSION REMOVED | 04FEB2016 | SS  | PS   |



SCALE 3:1

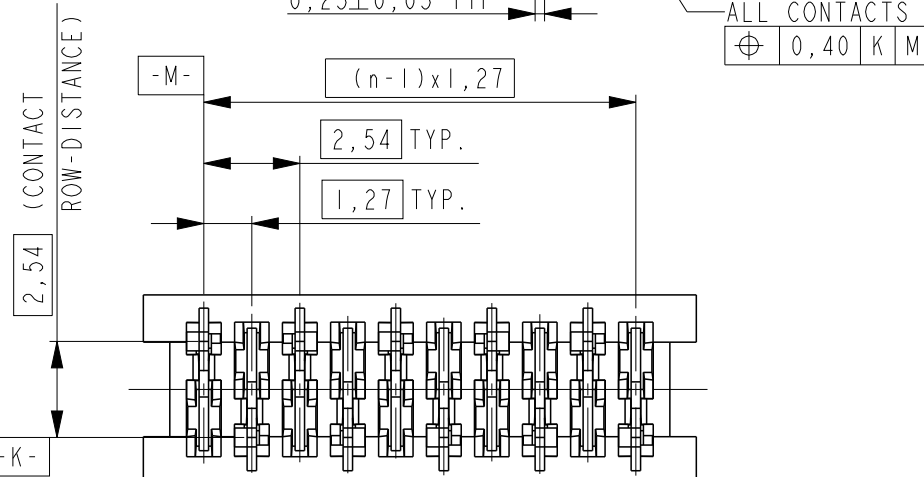


| PARTNUMBER BOX PACKAGING | PARTNUMBER REEL PACKAGING | NR OF POS "n" | DIMENSION "A" MAX |
|--------------------------|---------------------------|---------------|-------------------|
| 7-215079-4               | 215079-4                  | 4             | 7,1               |
| 7-215079-6               | 215079-6                  | 6             | 9,7               |
| 7-215079-8               | 215079-8                  | 8             | 12,2              |
| 8-215079-0               | 1-215079-0                | 10            | 14,7              |
| 8-215079-2               | 1-215079-2                | 12            | 17,3              |
| 8-215079-4               | 1-215079-4                | 14            | 19,8              |
| 8-215079-6               | 1-215079-6                | 16            | 22,4              |
| 8-215079-8               | 1-215079-8                | 18            | 24,9              |
| 9-215079-0               | 2-215079-0                | 20            | 27,4              |

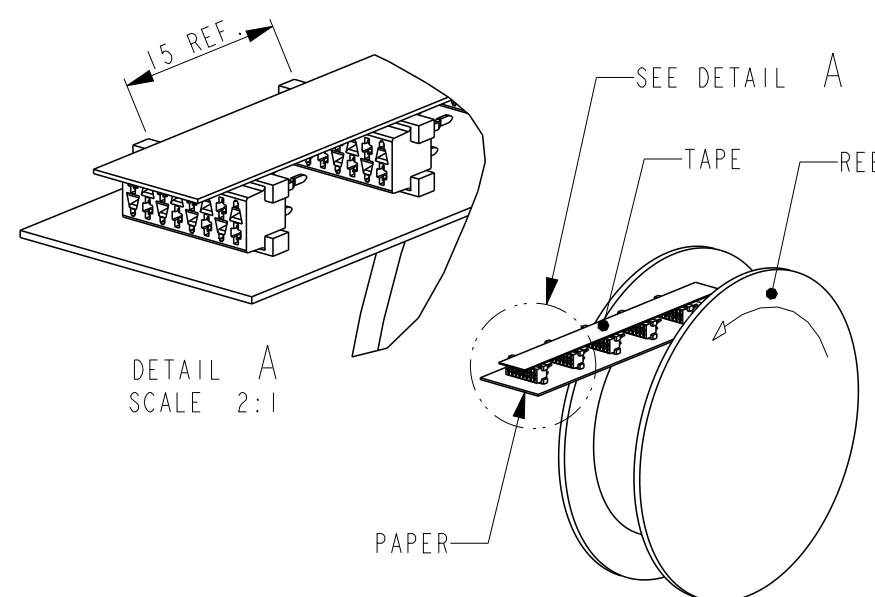


SCALE 1:5

BOX PACKAGING  
250 CONNECTORS PER BOX  
FOR ALL PARTNUMBERS



SECTION A-A



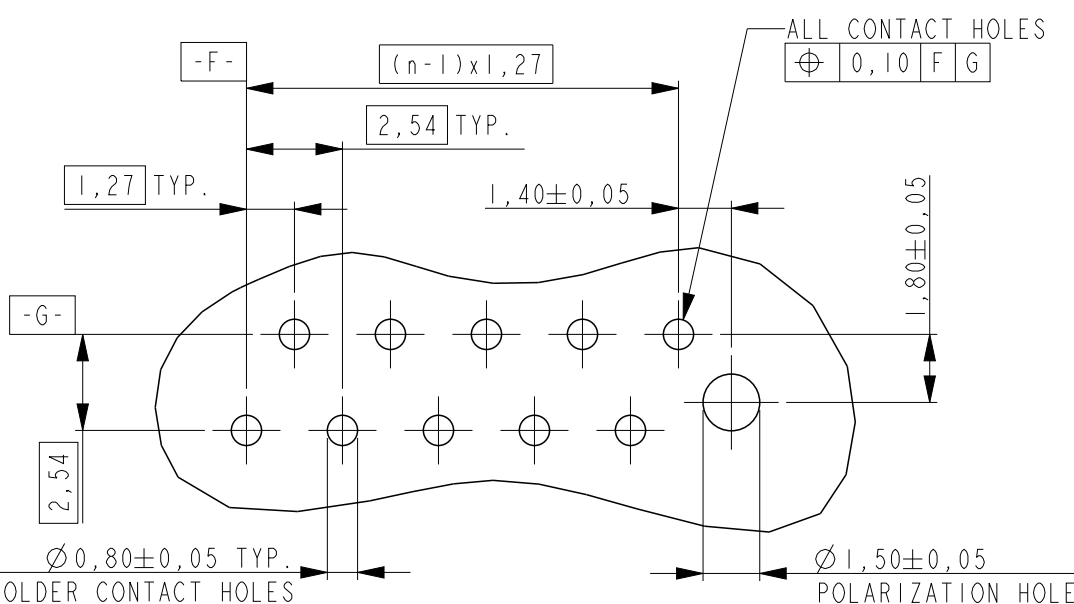
DETAIL A  
SCALE 2:1

REEL PACKAGING  
DEREELING DIRECTION AND CONNECTOR POSITION  
2500 CONNECTORS PER REEL FOR ALL PARTNUMBERS

NOTES:

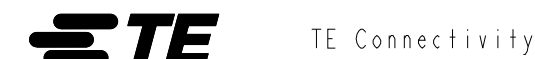
- 1 IN EACH ROW, DIRECTION OF KINKS STARTS RANDOM. IN EACH ROW, SEQUENTIAL CONTACTS HAVE OPPOSITE KINK DIRECTIONS.
- 2 CORING-OUTS FOR MANUFACTURING PURPOSE ONLY. SHAPE MAY VARY, BUT IS NOT FUNCTIONAL FOR THE APPLICATION.
- 3 SHOWN IS A 10 POSITION CONNECTOR.

PC-BOARD HOLE LAYOUT  
(COMPONENT SIDE OF BOARD SHOWN)



| ITEM NO. | COMPONENT DESCRIPTION | MATERIAL           | FINISH / COLOR  |
|----------|-----------------------|--------------------|-----------------|
| 2        | FEMALE HOUSING        | G.F. POLYESTER PBT | RED             |
| 1        | FEMALE CONTACT        | PHOSPHOR BRONZE    | TIN OVER NICKEL |

|  |                     |                           |
|--|---------------------|---------------------------|
| THIS DRAWING IS A CONTROLLED DOCUMENT. |                     | DWN<br>M. GOSELINK        |
| DIMENSIONS:<br>mm                      |                     | CHK<br>-                  |
| TOLERANCES UNLESS OTHERWISE SPECIFIED: |                     | APVD<br>-                 |
| 0 PLC                                  | ±-                  | PRODUCT SPEC<br>108-19052 |
| 1 PLC                                  | ±-                  | APPLICATION SPEC<br>-     |
| 2 PLC                                  | ±-                  | WEIGHT<br>-               |
| 3 PLC                                  | ±-                  | CUSTOMER DRAWING          |
| 4 PLC                                  | ±-                  |                           |
| ANGLES                                 | ±-                  |                           |
| MATERIAL<br>SEE TABLE                  | FINISH<br>SEE TABLE |                           |



CONNECTOR,  
FEMALE-ON-BOARD TOP-ENTRY,  
THRU-HOLE, Micro-MatCh

|            |                |                         |                    |
|------------|----------------|-------------------------|--------------------|
| SIZE<br>A3 | CAGE CODE<br>- | DRAWING NO.<br>C-215079 | RESTRICTED TO<br>- |
|------------|----------------|-------------------------|--------------------|

SCALE 5:1 SHEET 1 OF 1 REV Y1

# Mouser Electronics

Authorized Distributor

Click to View Pricing, Inventory, Delivery & Lifecycle Information:

[TE Connectivity:](#)

[8-215079-6](#)