

Extension Jack, 6.35 mm



Features

- RoHS and REACH compliant
- Sturdy cable clamp strain relief
- Srew type solder terminal
- Mates with standard commercial phone plugs



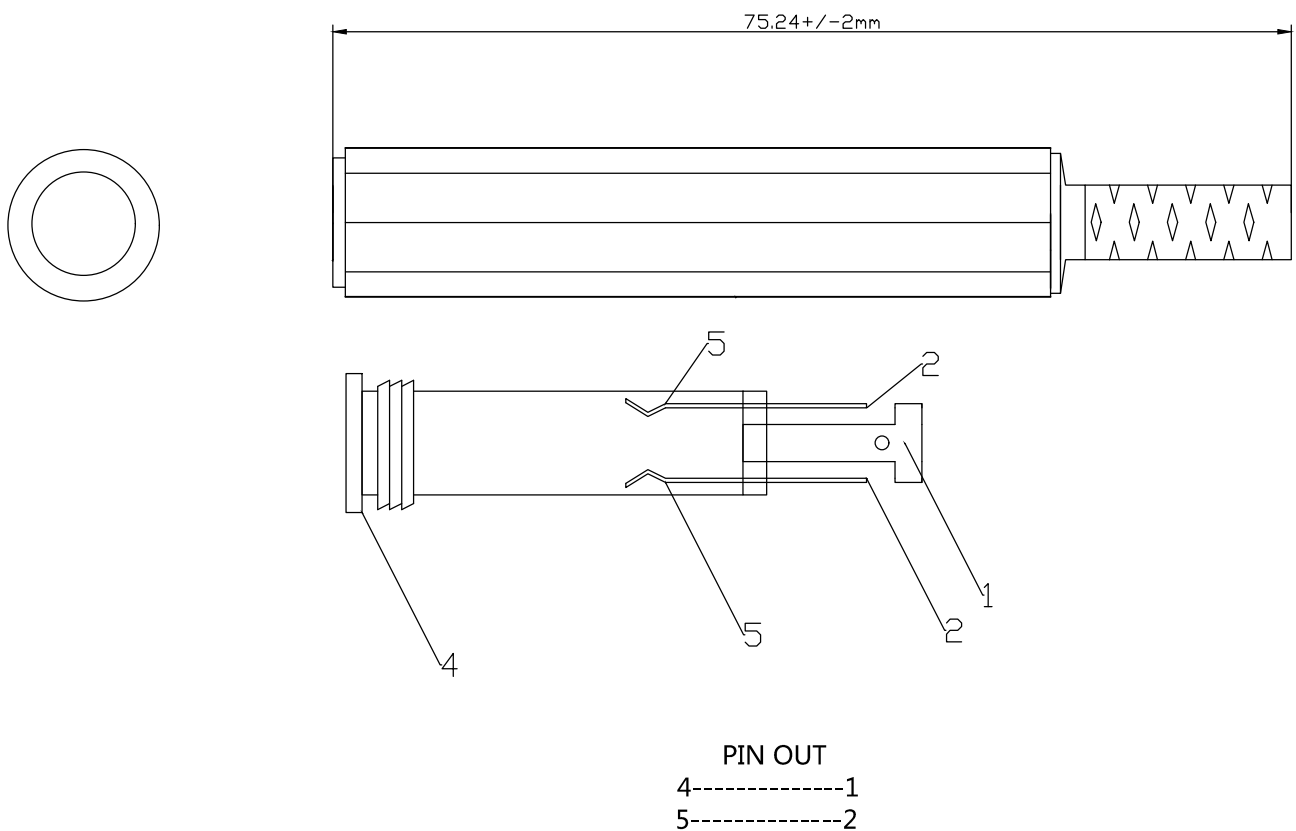
Specification

Audio Type	Mono
Gender	Socket
Mounting Type	Cable Mount
Number of Poles	2
Connector Size	6.35 mm
Orientation	Vertical

Material Specification

Housing Material	PVC
Housing Colour	Black
Contact Material	Nickel-Plated Copper

Drawing



Art. Nr.
RND 205-01318