

DIN Plug Connector



Features

- RoHS and REACH compliant
- Fits most communication radios
- Solder terminal
- Microphone connector with thread locking



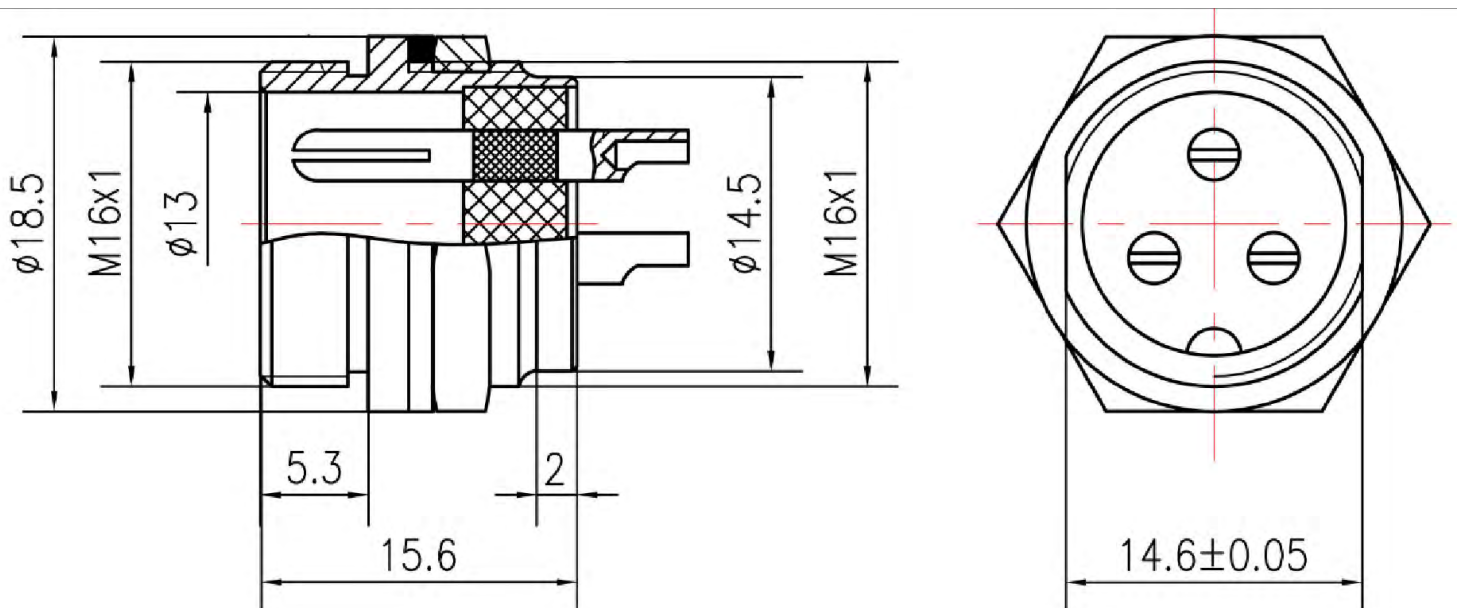
Specification

Panel Hole Diameter	16 mm
Gender	Plug
Mounting Type	Panel Mount
Number of Poles	3
Mating Type	Thread-Lock
Orientation	Straight
Operating Temperature	0 ... 60 °C
Voltage Rating	125 V
Wire Cross-Section max.	1.5 mm ²
Insulation Resistance	1.5 GOhm
Contact Resistance	10 MOhm
Current Rating	7 A

Material Specification

Housing Material	Nickel Plated Copper
Contact Material	Nickel-Plated Copper

Drawing



Art. Nr.
RND 205-01364