

# DIN Socket Connector



## Features

- RoHS and REACH compliant
- Fits most communication radios
- Solder terminal
- Microphone connector with thread locking



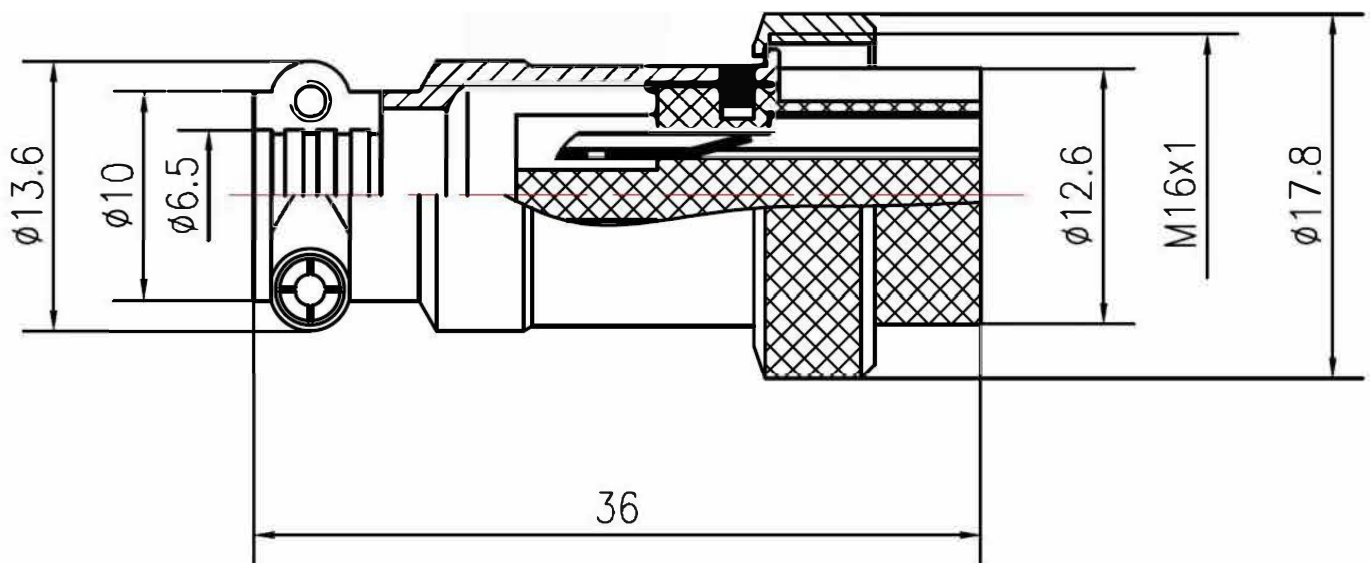
## Specification

Panel Hole Diameter	16 mm
Gender	Socket
Mounting Type	Cable Mount
Number of Poles	4
Mating Type	Thread-Lock
Orientation	Straight
Voltage Rating	125 V
Wire Cross-Section max.	1.5 mm <sup>2</sup>
Insulation Resistance	2 GOhm
Contact Resistance	10 MOhm
Current Rating	4 A

## Material Specification

Housing Material	Nickel Plated Copper
Housing Colour	Black
Contact Material	Nickel-Plated Copper

## Drawing



Art. Nr.  
RND 205-01358