

Professionally approved products.

Gate Valves

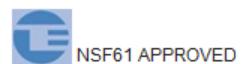
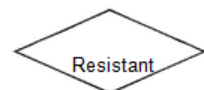
150S-300WOG Globe Valves Screwed Ends



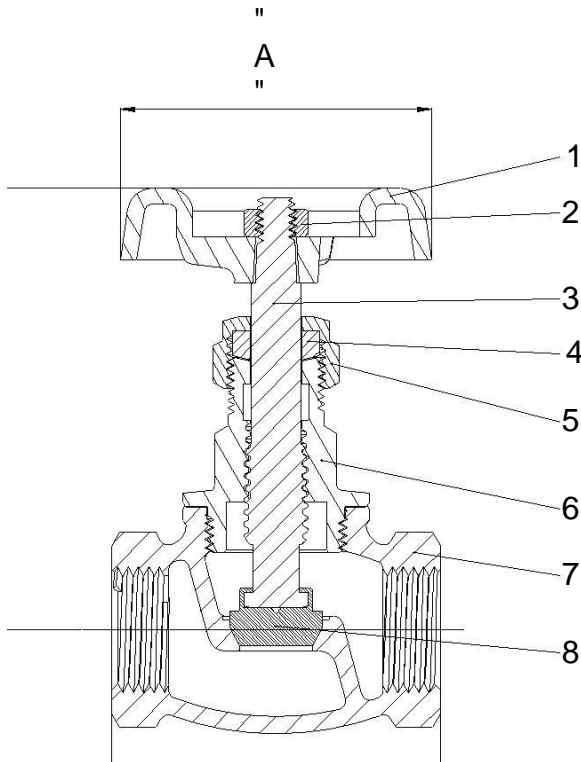
[RS Stock No. 510-3801](#)

Design features:

1. 150 PSI saturated steam to 366°F or 185°C
150 PSI fluid to 406°F or 207°C
300 PSI non-shock cold water , oil or gas
2. Female threaded ends complying with ansi/asme b1.20.1



Professionally approved products.



Size	A	B-OPEN	B-CLOSE	L
1/2" in	2.13	3.46	2.99	2.24
mm	54	88	76	57
3/4" in	2.36	3.62	3.15	2.56
mm	60	92	80	65
1" in	2.48	4.25	3.74	3.07
mm	63	108	95	78
1 1/4" in	2.83	5.04	4.45	3.50
mm	72	128	113	89
1 1/2" in	3.27	5.73	5.01	3.94
mm	83	145.6	127.3	100
2" in	3.66	6.36	5.56	4.76
mm	93	161.5	141.2	121

MATERIAL LIST

NO	NOMENCLATUR	BRONZE
1.	HANDWHEEL	CAST IRON
2.	HANDLE NUT	BRASS C3604
3.	STEM	ASTM B16 C36000
4.	PACKING	TEFLON
5.	PACKING NUT	ASTM B16 C36000
6.	BONNET	ASTM B124 C37700
7.	BODY	ASTM B584 C83600
8.	RING	ASTM B16 C36000
9.	HOLDER	ASTM B16 C36000

LEAD

LEAD FREE
CAST IRON
BRASS C3604
ASTM C69300 or C89833
TEFLON
ASTM C69300 or C89833
ASTM C69300 or C89833
ASTM C89833
ASTM C69300 or C89833
ASTM C69300 or C89833

