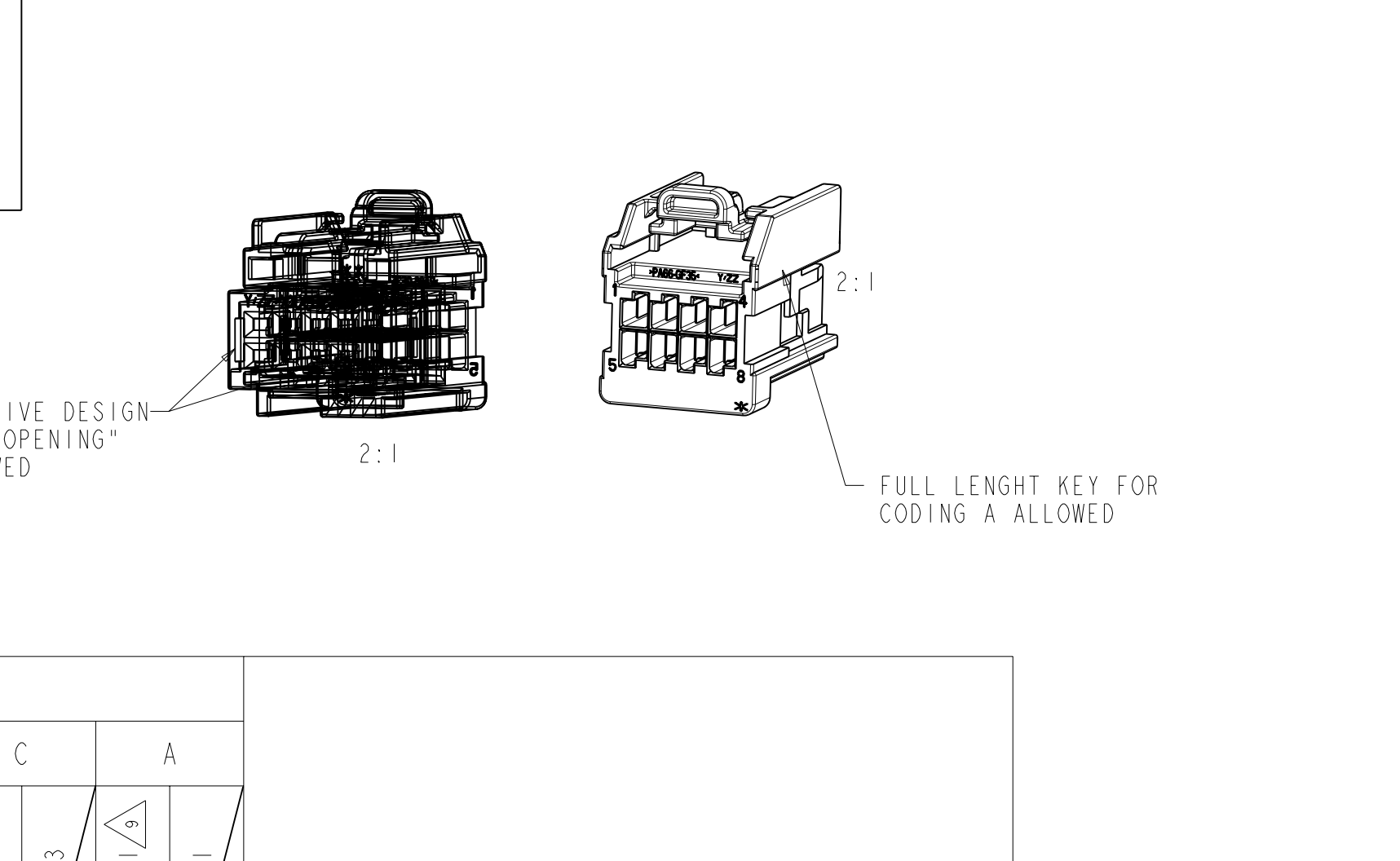
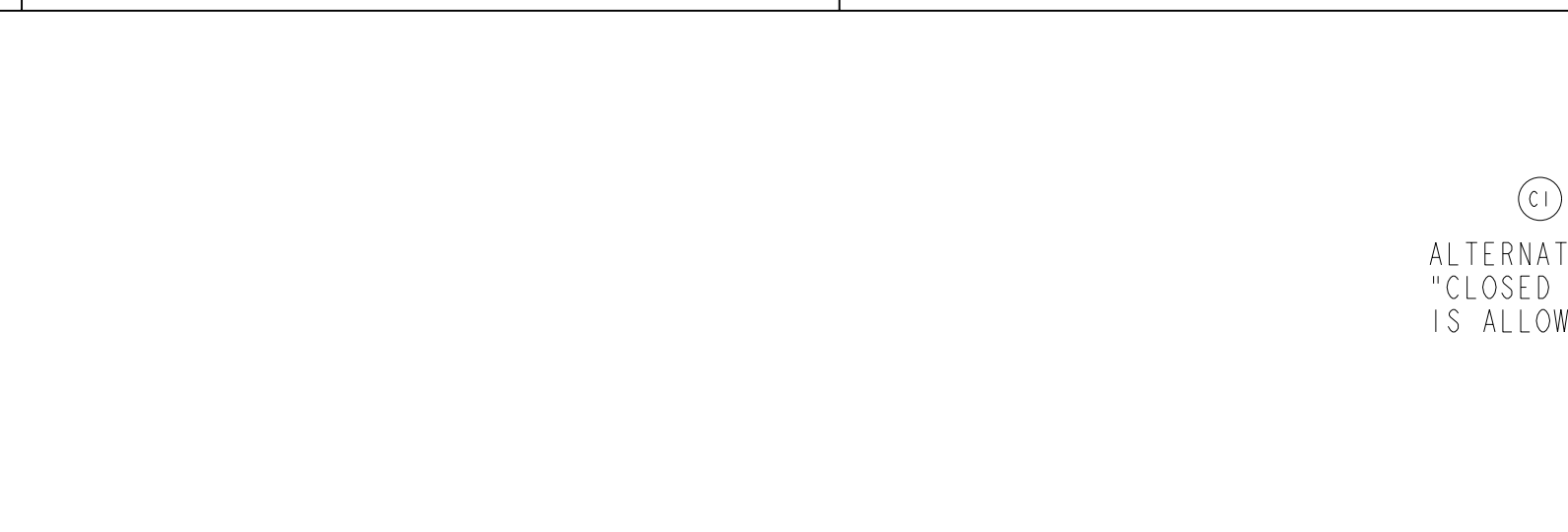
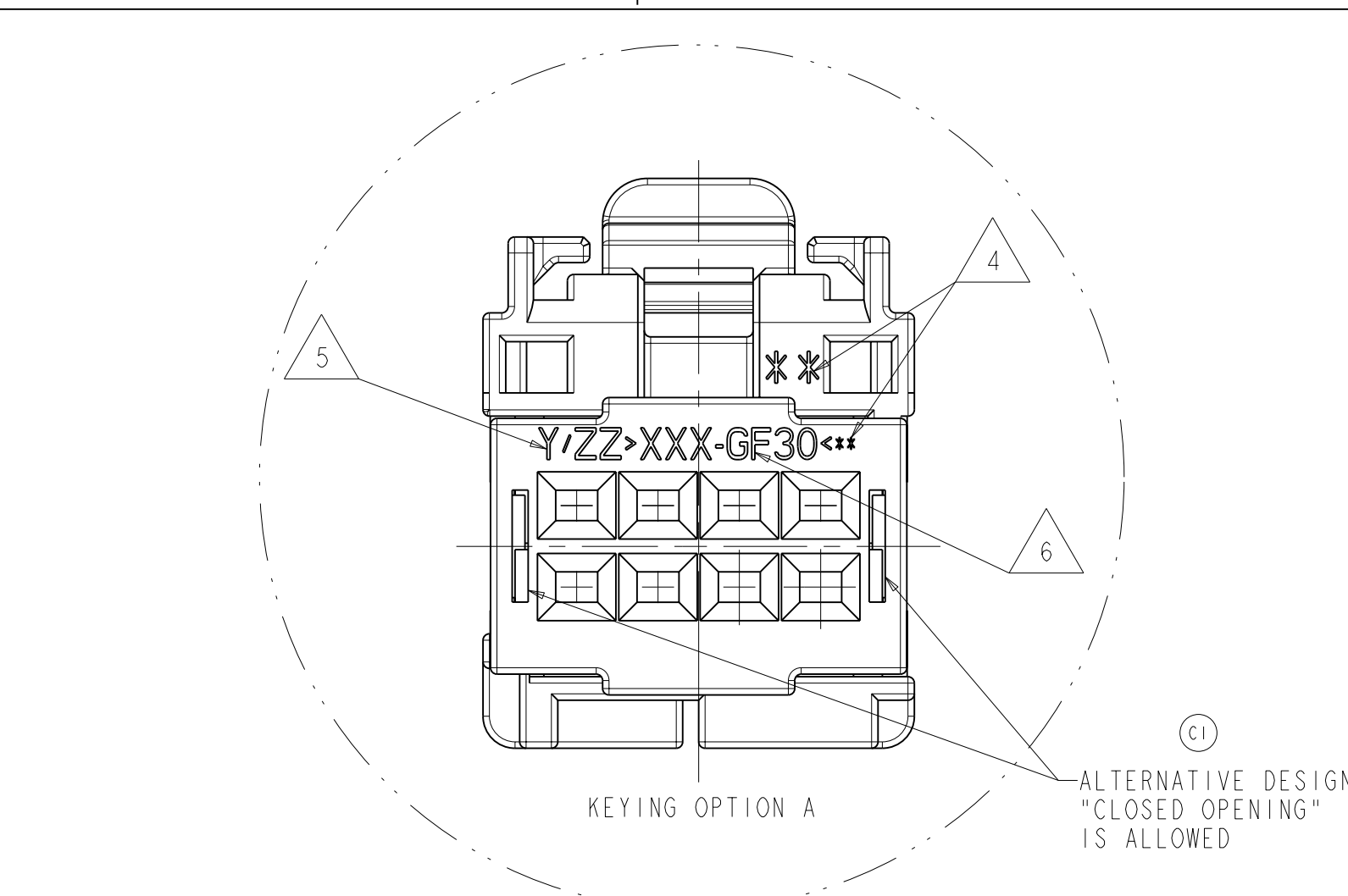
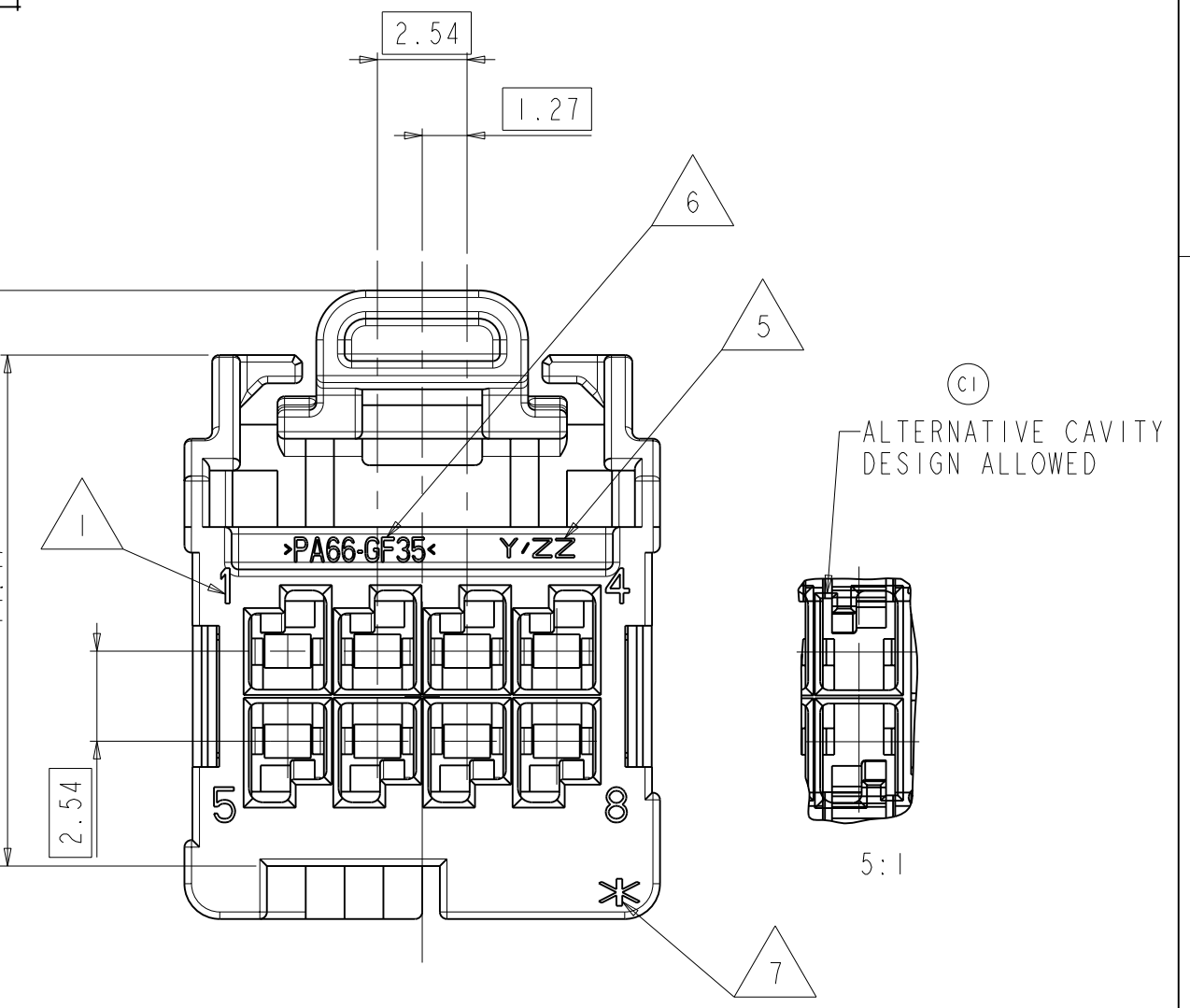
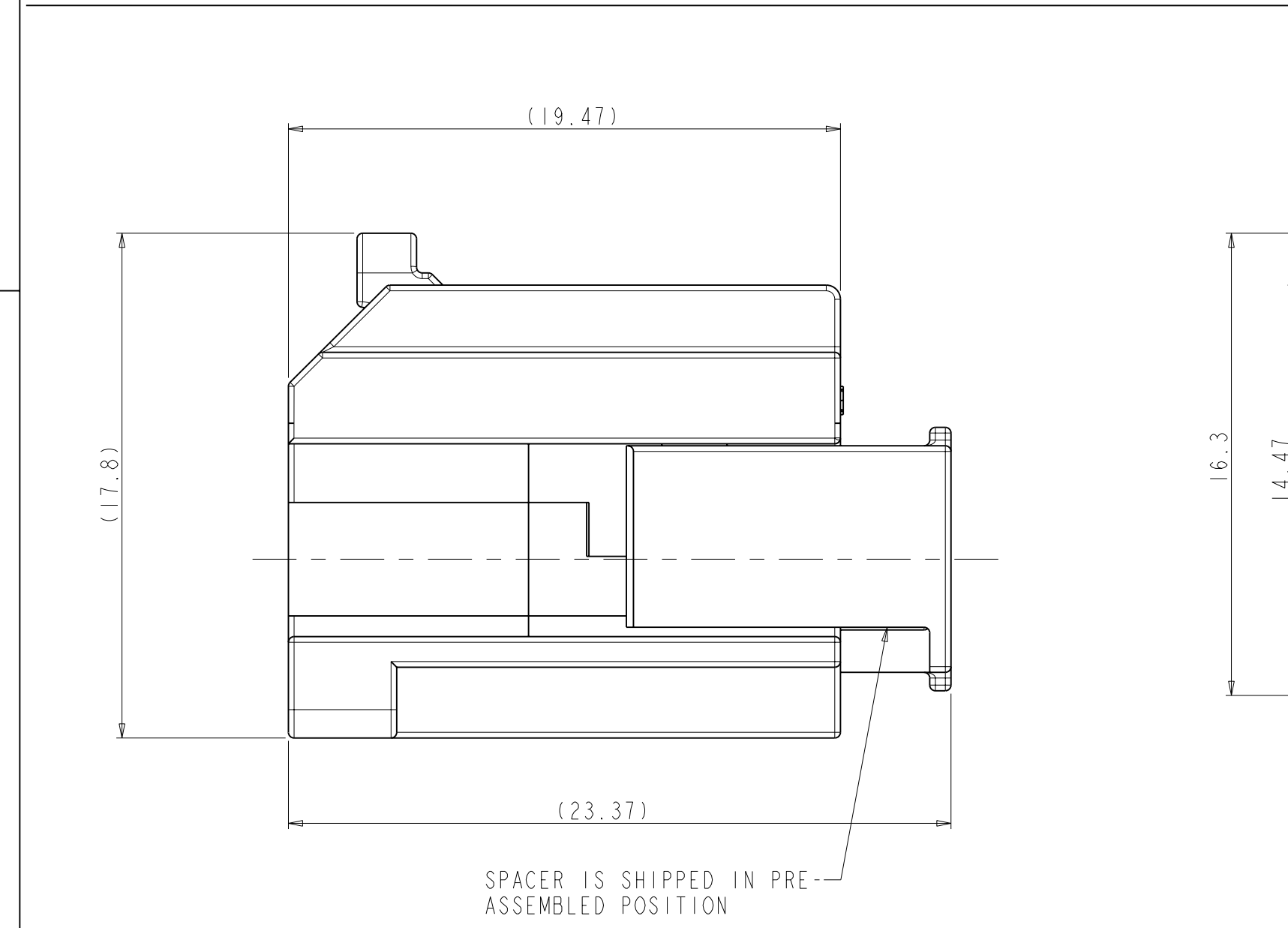
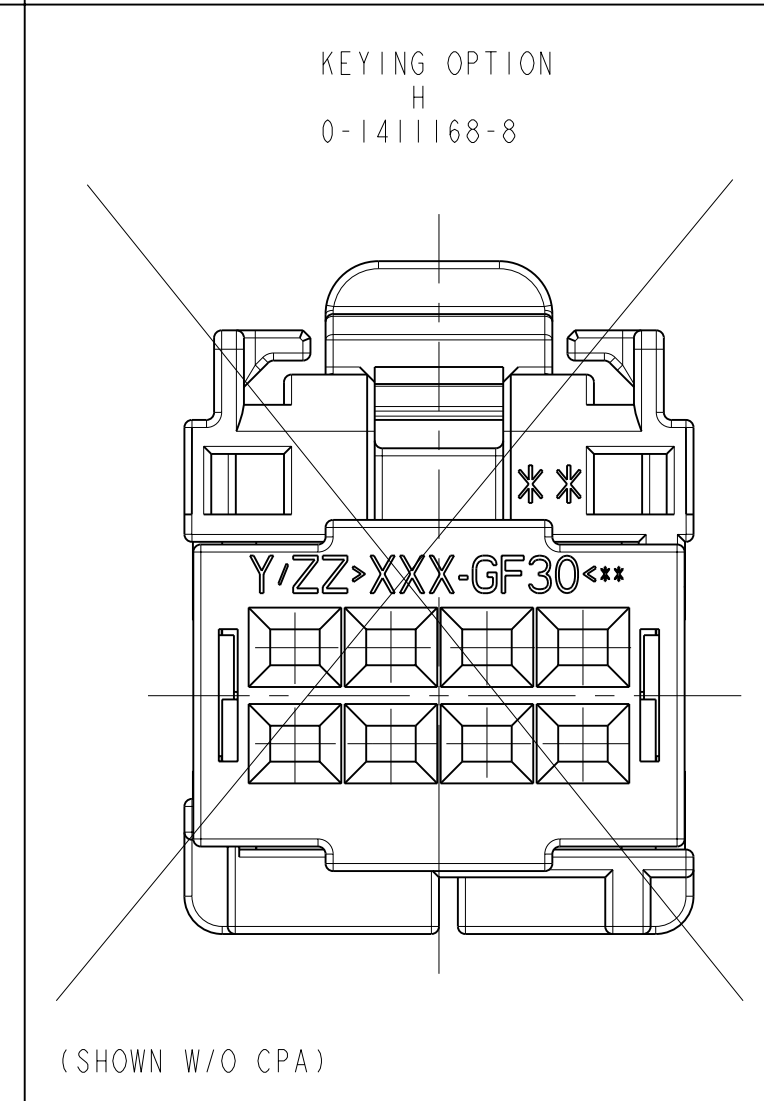
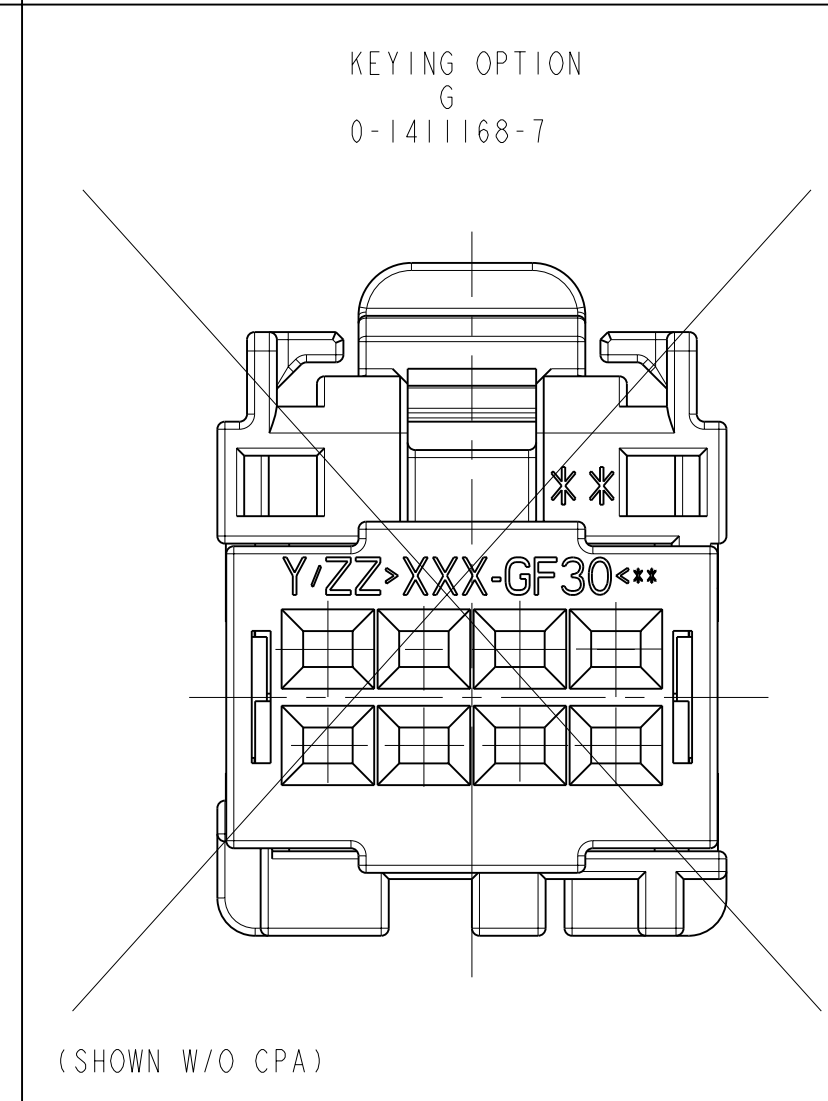
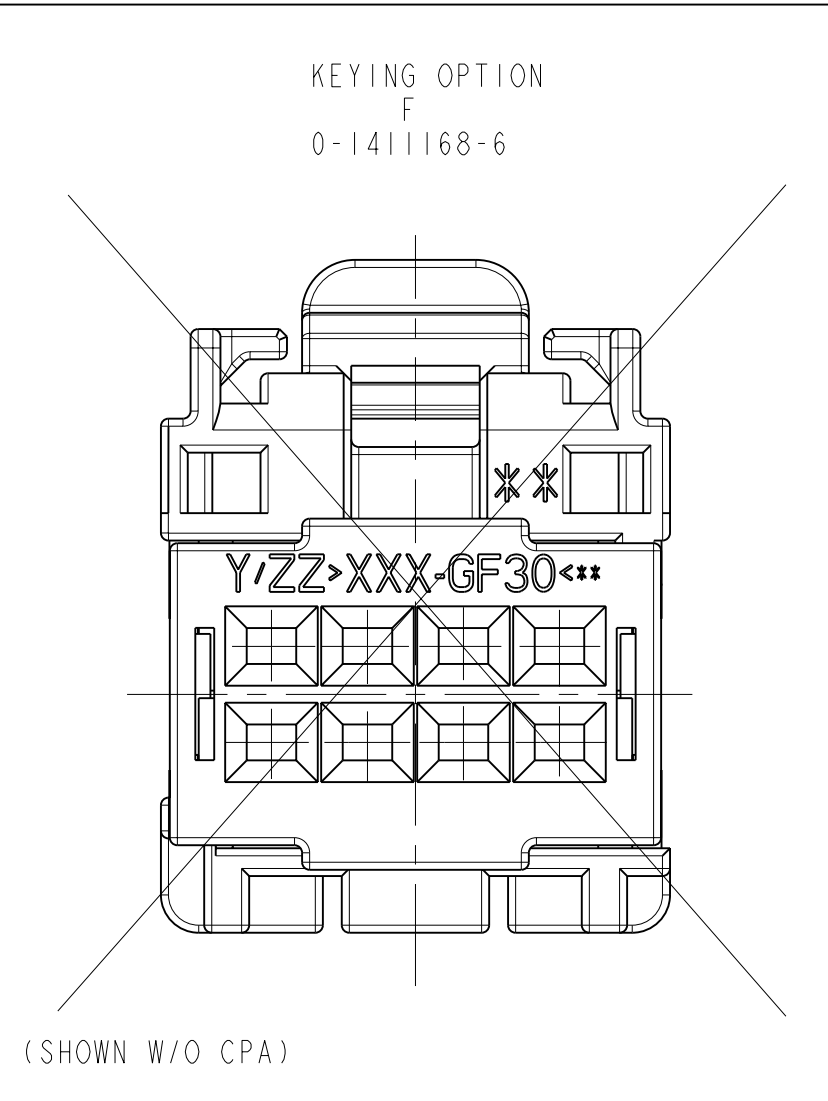
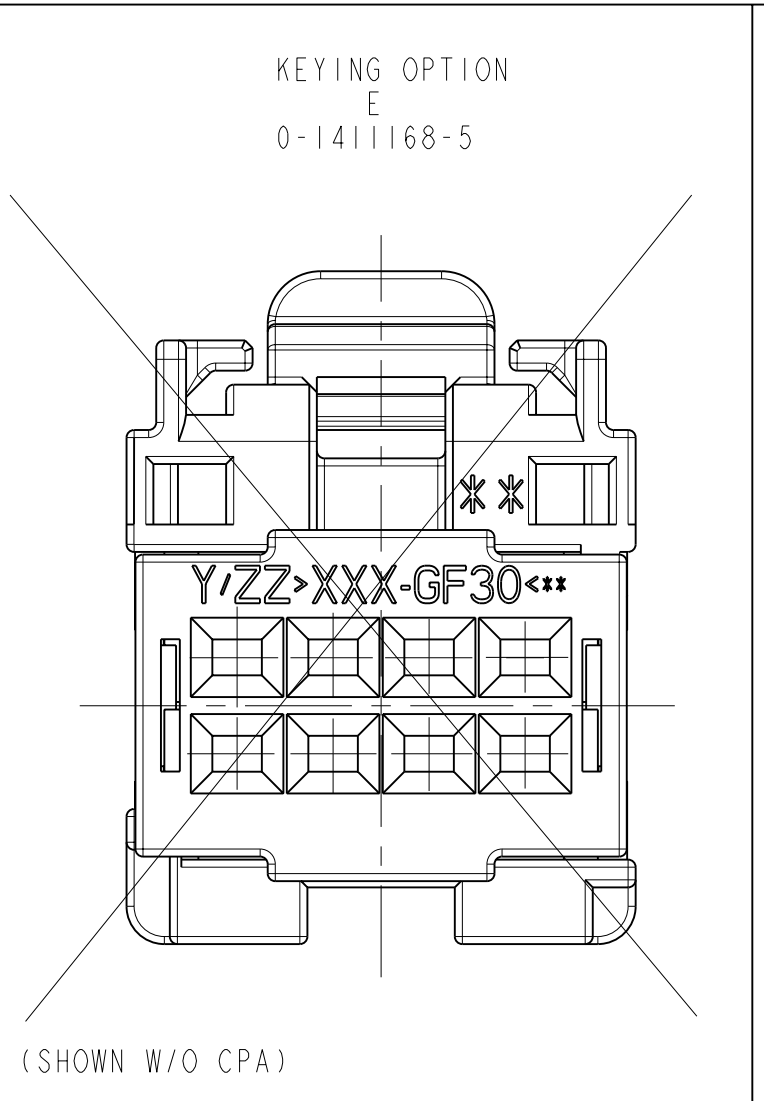


REV	DATE	DESCRIPTION	BY	CHKD	APPD
A1	22APR2002	NEW DRAWING FORMAT	MD	GS	
A3	14FEB2007	ECR-07-003575	HM	GS	
C	11JUL2007	SEE ECR-07-016333	HM	GS	
C1	10MAR2009	SEE ECR-09-005541	HM	GS	



- 1 MOLD TERMINAL POSITION NUMBERS LOCATED AS SHOW
 - 2 DELIVERY CONDITION: SPACER AND CPA (OPTIONAL) IN PRE ASSEMBLED POSITION
 - 3 TE-PART NUMBER AND DATE CODE
 - 4 PRODUCT REVISION LEVEL OPTIONAL
 - 5 TOOL NUMBER AND CAVITY NUMBER OPTIONAL
 - 6 MATERIAL IDENTIFICATION TO VDA 260
 - 7 TE-LOGO (OPTIONAL)
 - 8 PACKING: CONNECTOR ASSEMBLIES ARE PACKED ON TRAY IN CARDBOARD BOX
- 9 KEY A IS NOT PREFERRED FOR NEW APPLICATION

TE-ORDER-NUMBER	KEYING OPTIONS								I	I	FEMALE HOUSING COD.	COLOUR	MATERIAL
	H	G	F	E	D	C	A						
0-1411168-8											A	GREY	PA66-GF35
1-1411168-8											C	GREY	PA66-GF35
0-1411168-7											D	GREY	PA66-GF35
1-1411168-7											E	GREY	PA66-GF35
0-1411168-6											F	GREY	PA66-GF35
1-1411168-6											G	GREY	PA66-GF35
0-1411168-5											H	GREY	PA66-GF35
1-1411168-5												RED	PBT-GF30
0-1411168-4												RED	PBT-GF20
1-1411168-4													
0-1411168-3													
1-1411168-3													
0-1411168-1													
1-1411168-1													
	QUANTITY										DESCRIPTION	COLOUR	MATERIAL

DIMENSIONS: mm TOLERANCES UNLESS OTHERWISE SPECIFIED: 0-ELC ± 1-PLC ± 2-PLC ± 3-PLC ± 4-PLC ± ANGLES ± MATERIAL: - FINISH: -	DWN: R. STUBBE 15MAR2002 CHK: G. STEINBACH 22APR2002 APVD: - PRODUCT SPEC: - APPLICATION SPEC: - WEIGHT: - CUSTOMER DRAWING: -	Tyco Electronics Tyco Electronics AMP GmbH D-64625 Bensheim NAME: 2X4POS. GET FEMALE CONNECTOR; UNSEALED ASSEMBLY SIZE: CAGE CODE DRAWING NO: A11 00779 C=1411168 RESTRICTED TO: - SCALE: 5:1 SHEET 1 OF 1 REV: C1
---	--	--

Mouser Electronics

Authorized Distributor

Click to View Pricing, Inventory, Delivery & Lifecycle Information:

[TE Connectivity:](#)

[1411168-1](#)