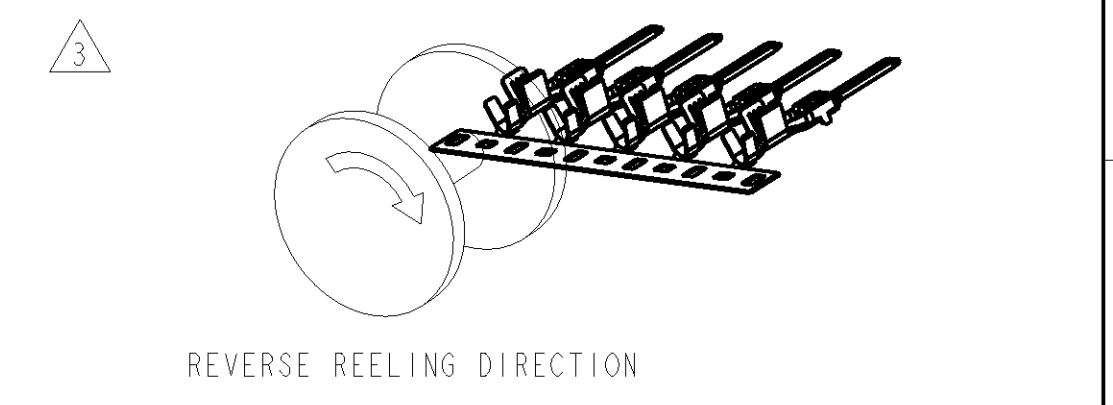
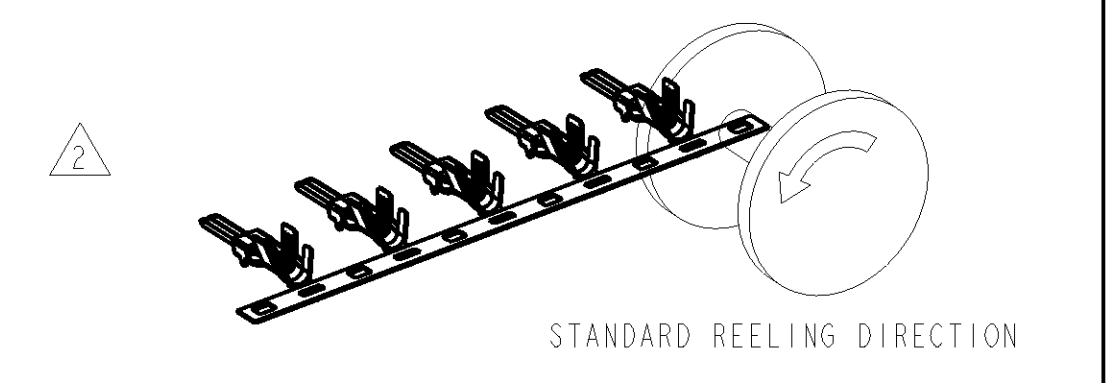
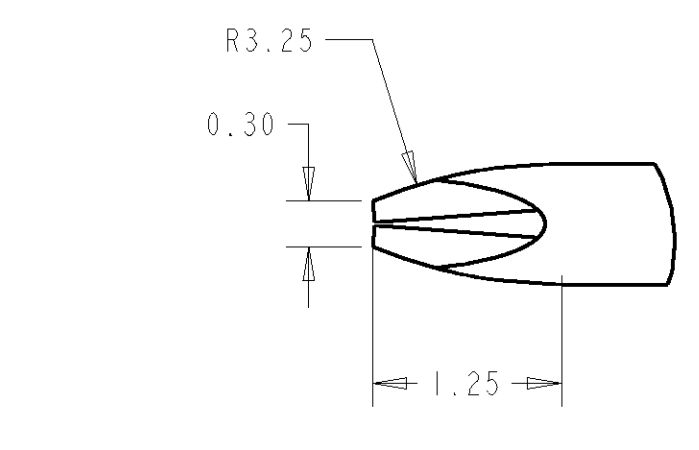
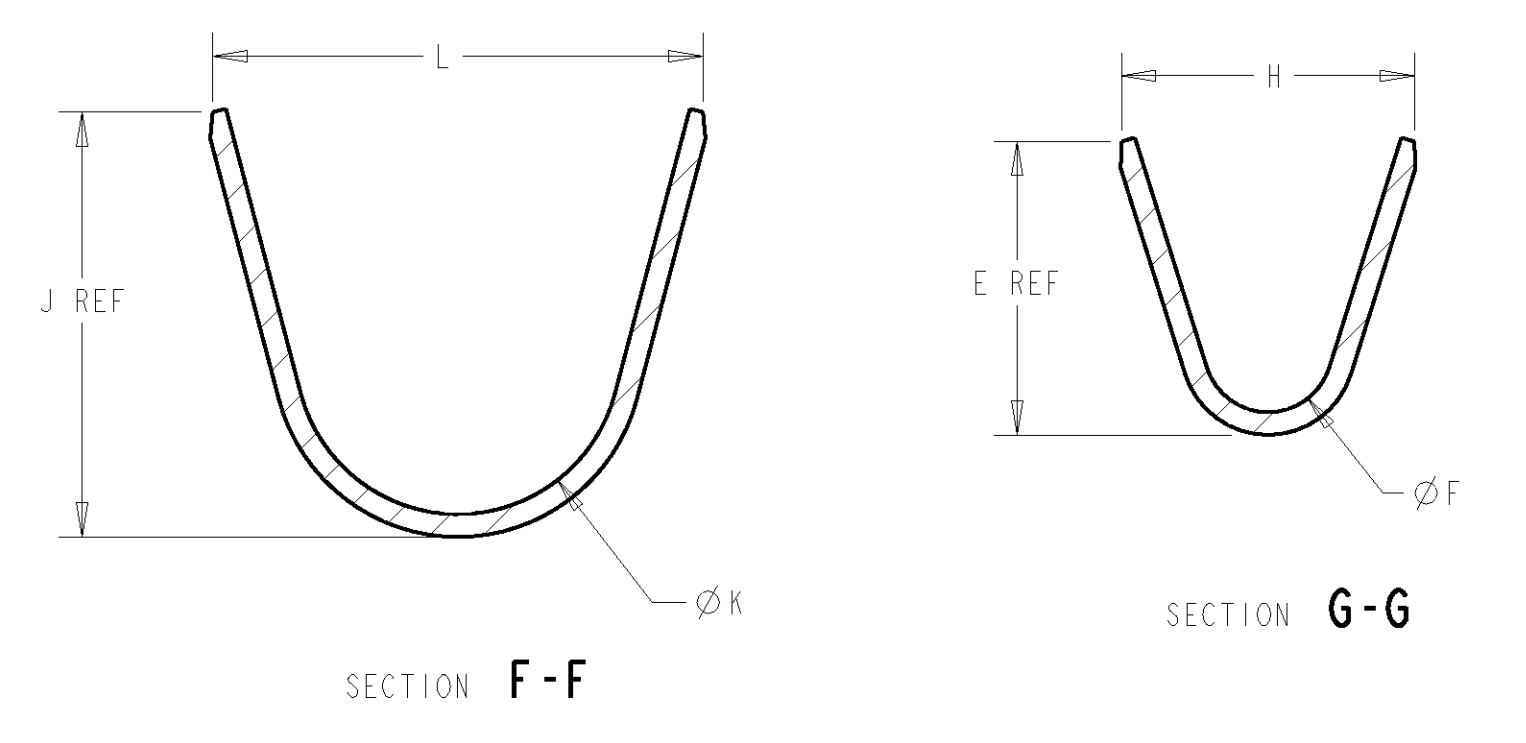
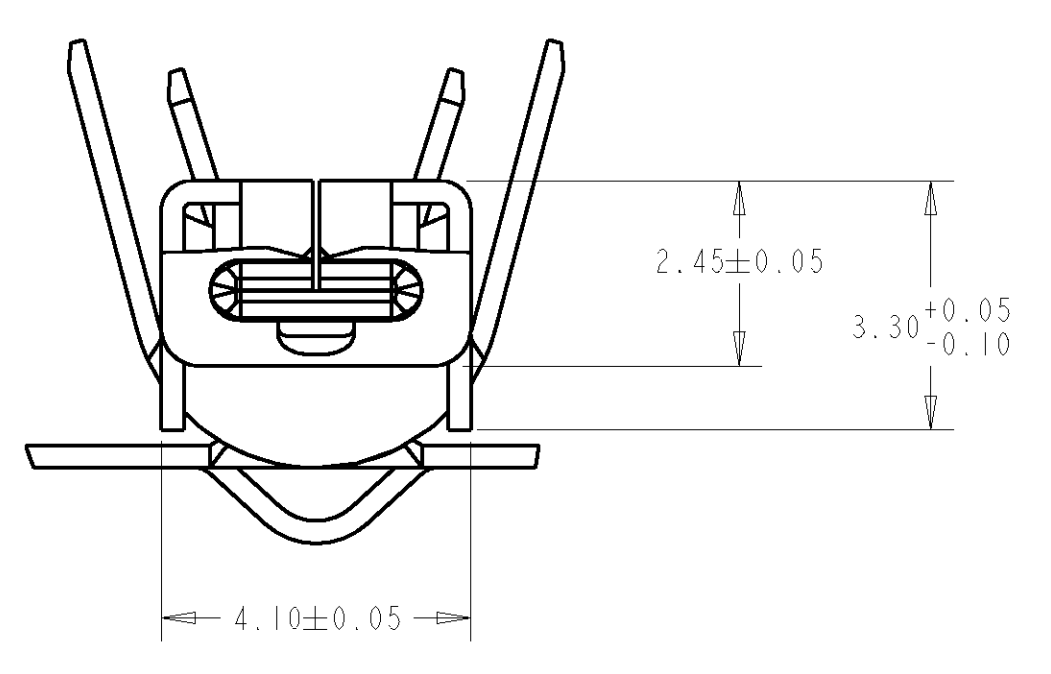
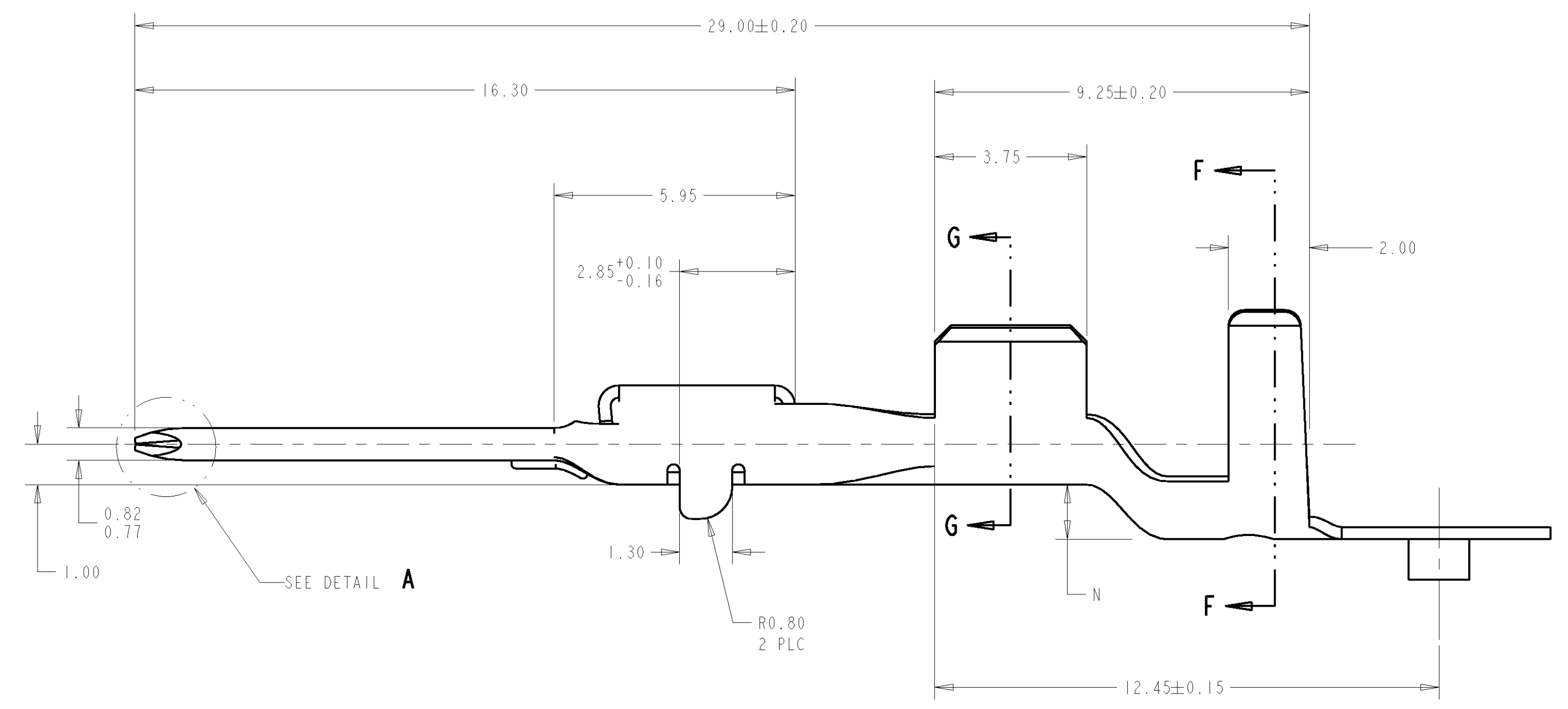
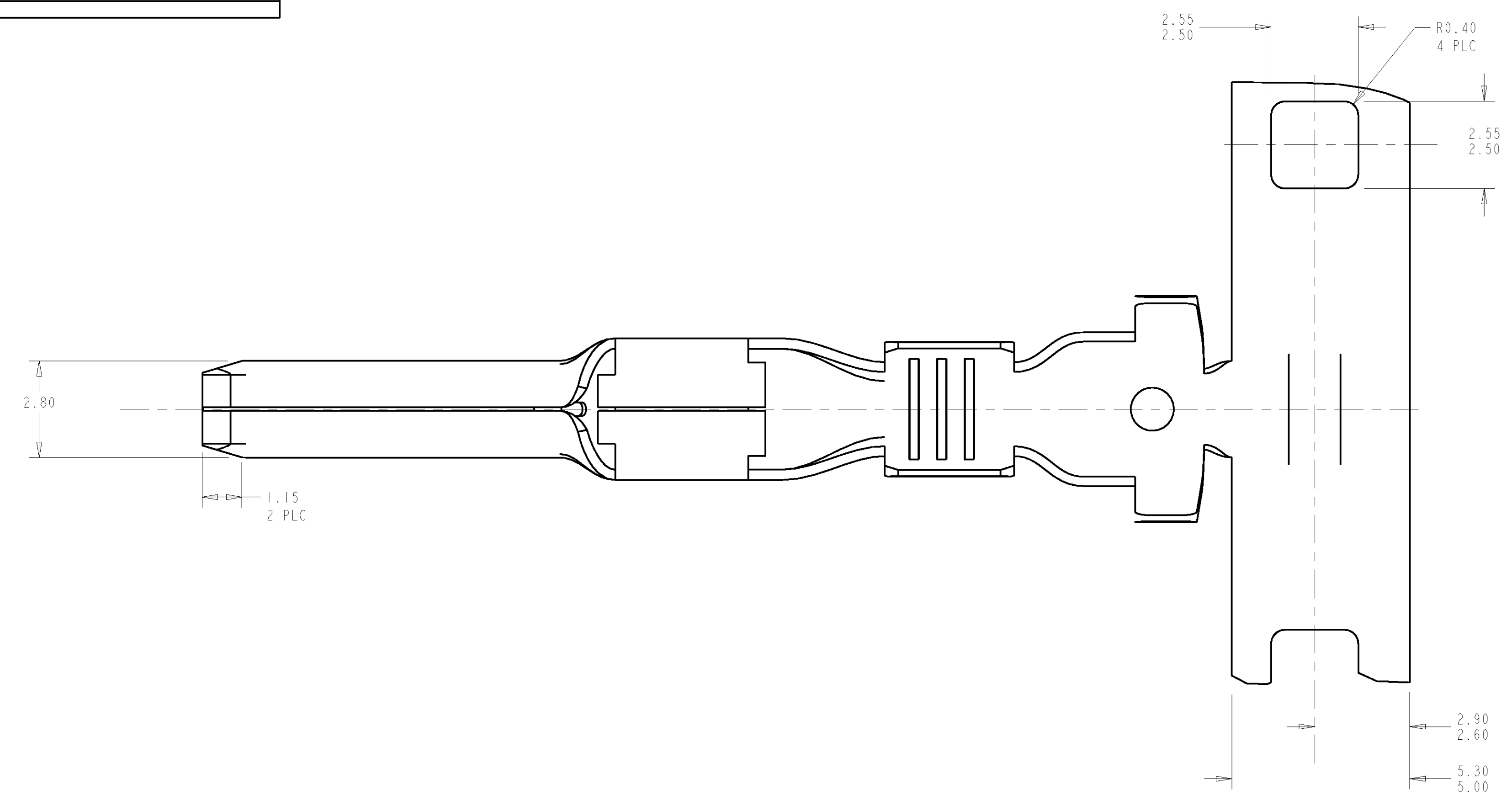


LOC	QTY	REV	DESCRIPTION	DATE	OWN	APPV
GE	00					
D			REVISED PER EC OK40-0405-02	17APR2002	AH	TW
D1			REVISED PER EC OK40-0248-03	02SEP2003	AH	TW
E			REVISED PER OK40-0074-04	23MAR2004	AG	TW
F			REVISED PER ECR 05-003800	17NOV2005	DLD	JLT

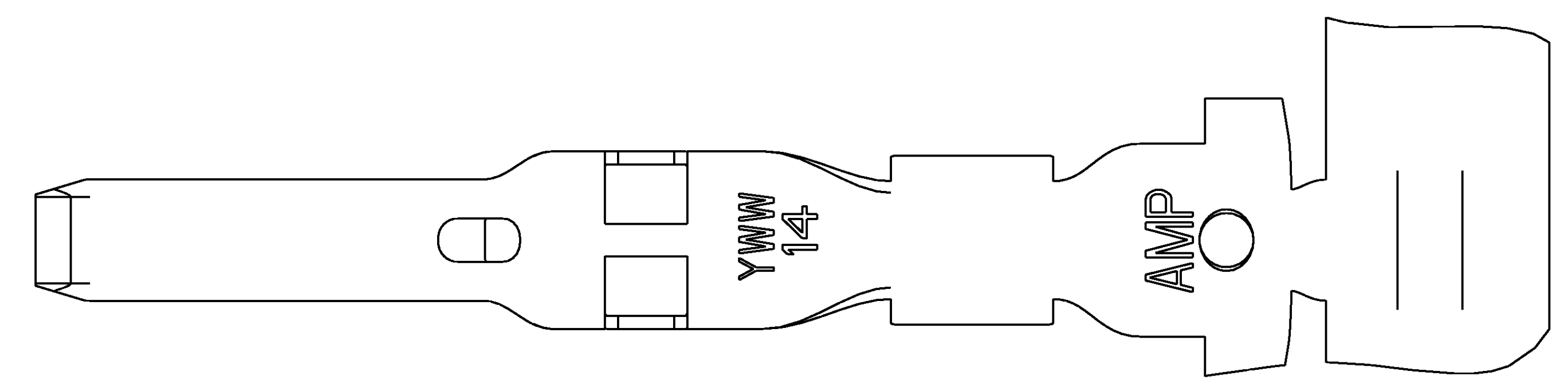
△ MATERIAL: 0.30 THICK COPPER ALLOY, PREPLATED WITH 0.0008 MINIMUM THICK MATTE TIN (ELV COMPLIANT).



4. QUALIFICATION OF THE CRIMP APPLICATION TOOLING SHALL BE CONTROLLED BY THE REQUIREMENTS ESTABLISHED UNDER USCAR 21.
5. LOOSE END SPLICING TO BE USED.



DETAIL A
SCALE 20:1



REELING	N	L	ØK	J	H	ØF	E	WIRE SIZE	PART NO.
△3								12 AWG	I-1326031-2
△2	1.35	6.8	4.30	5.89	4.7	2.7	5.25	12 AWG	I-1326031-1
								14 AWG	I-1326031-0
△3								16 AWG	I-1326031-9
								18 AWG	I-1326031-8
								20 AWG	I-1326031-7
								22 AWG	I-1326031-6
△2	1.35	6.5	4.30	5.62	3.9	1.70	3.88	14 AWG	I-1326031-5
	1.10	5.6	3.80	4.54	3.9	1.70	3.88	16 AWG	I-1326031-4
	1.10	5.6	3.80	4.54	3.3	1.30	2.76	18 AWG	I-1326031-3
	0.90	5.0	3.40	4.11	3.3	1.30	2.76	20 AWG	I-1326031-2
	0.90	5.0	3.40	4.11	2.5	0.90	2.11	22 AWG	I-1326031-1

DIMENSIONS: mm 		TOLERANCES UNLESS OTHERWISE SPECIFIED: 0 PLC ±0.3 2 PLC ±0.10 3 PLC ±0.15 4 PLC ±0.20 ANGLES ±0.5°		DWN D. STRAUSSER 28APR99 CHK D. BROWN 28APR99 APVD D. BROWN 28APR99		Tyco Electronics Harrisburg, PA 17105-3608	
MATERIAL △ FINISH △		PRODUCT SPEC SAE/USCAR-2 8/97 APPLICATION SPEC 114-13013		NAME 2.8mm BLADE, SEALED		SIZE CASE CODE DRAWING NO A 00779 C-1326031	
CUSTOMER DRAWING		SCALE 10:1		SHEET 1 OF 1		REV F	

Mouser Electronics

Authorized Distributor

Click to View Pricing, Inventory, Delivery & Lifecycle Information:

[TE Connectivity:](#)

[1326031-1](#)