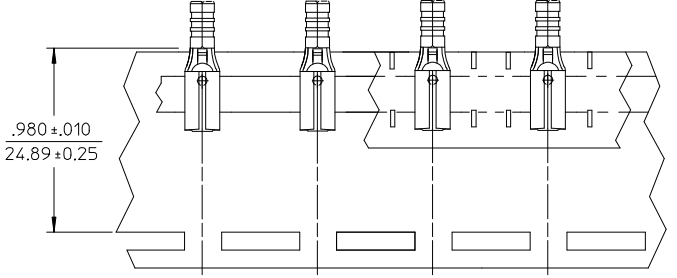
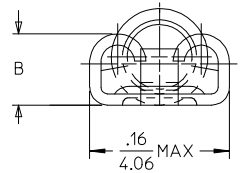
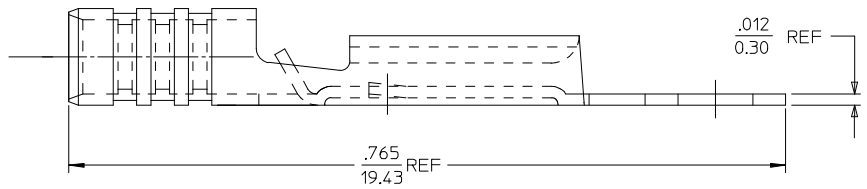
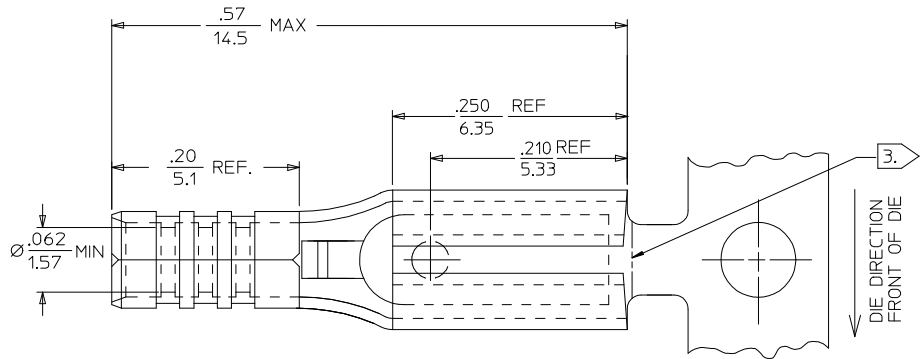


MATERIAL NUMBER	ENGINEERING NUMBER	DESCRIPTION	DIM B MAX
190160001	AA-1131	.110 X .020 (2.80 X 0.51) FEMALE QD W/ DIMPLE LOOSE PIECE	.078/1.98
190160002	AA-1131T	.110 X .020 (2.80 X 0.51) FEMALE QD W/ DIMPLE ON TAPE	
190160210	AAZ-1131MOD	.110 X .020 (2.80 X 0.51) FEMALE QD W/OUT DIMPLE ON STRIP	
190160021	AAZ-1134	.110 X .032 (2.80 X 0.81) FEMALE QD W/ DIMPLE ON STRIP	.085/2.16
190160003	AA-1134	.110 X .032 (2.80 X 0.81) FEMALE QD W/ DIMPLE LOOSE PIECE	
190160004	AA-1134T	.110 X .032 (2.80 X 0.81) FEMALE QD W/ DIMPLE ON TAPE	
190160226	AAZ-1134MOD	.110 X .032 (2.80 X 0.81) FEMALE QD W/OUT DIMPLE ON STRIP	



PARTS ON TAPE



SALES DRAWING

- NOTES:
- MATERIAL: BRASS.
  - PLATED TIN.
  - LOOSE PIECE PARTS TO HAVE CUT-OFF TAB .005/.020 (0.13/0.51).
  - PART IS ROHS COMPLIANT.

CHG DIM. B IN CHART EC NO: ETC2007-0334 DR: WINEHILLE 2007/03/14 CHKD: JACNEIL 2007/03/14 APPR: JACNEIL 2007/03/15	QUALITY SYMBOLS
	▼=0 ▽=0

GENERAL TOLERANCES (UNLESS SPECIFIED)	
mm	INCH
4 PLACES ± ---	± ---
3 PLACES ± ---	± ---
2 PLACES ± ---	± ---
1 PLACE ± ---	± ---
ANGULAR ± ---°	
DRAFT WHERE APPLICABLE MUST REMAIN WITHIN DIMENSIONS	

DIMENSION STYLE		SCALE	DESIGN UNITS	THIRD ANGLE PROJECTION
IN/MM		10:1	INCH	
DRAWN BY	DATE	TITLE		
BENDERLE	2004/07/15	.110 (2.80) QD 22-18 AWG		
CHECKED BY	DATE	X.020 (0.51), .032 (0.81)		
R DEROSS	2004/07/15	WITH & WITHOUT DIMPLE		
APPROVED BY	DATE	MOLEX INCORPORATED		
R DEROSS	2004/07/15	MATERIAL NO. SEE CHART		
DOCUMENT NO.		SD-19016-012		
SIZE		SHEET NO. 1 OF 1		



THIS DRAWING CONTAINS INFORMATION THAT IS PROPRIETARY TO MOLEX INCORPORATED AND SHOULD NOT BE USED WITHOUT WRITTEN PERMISSION