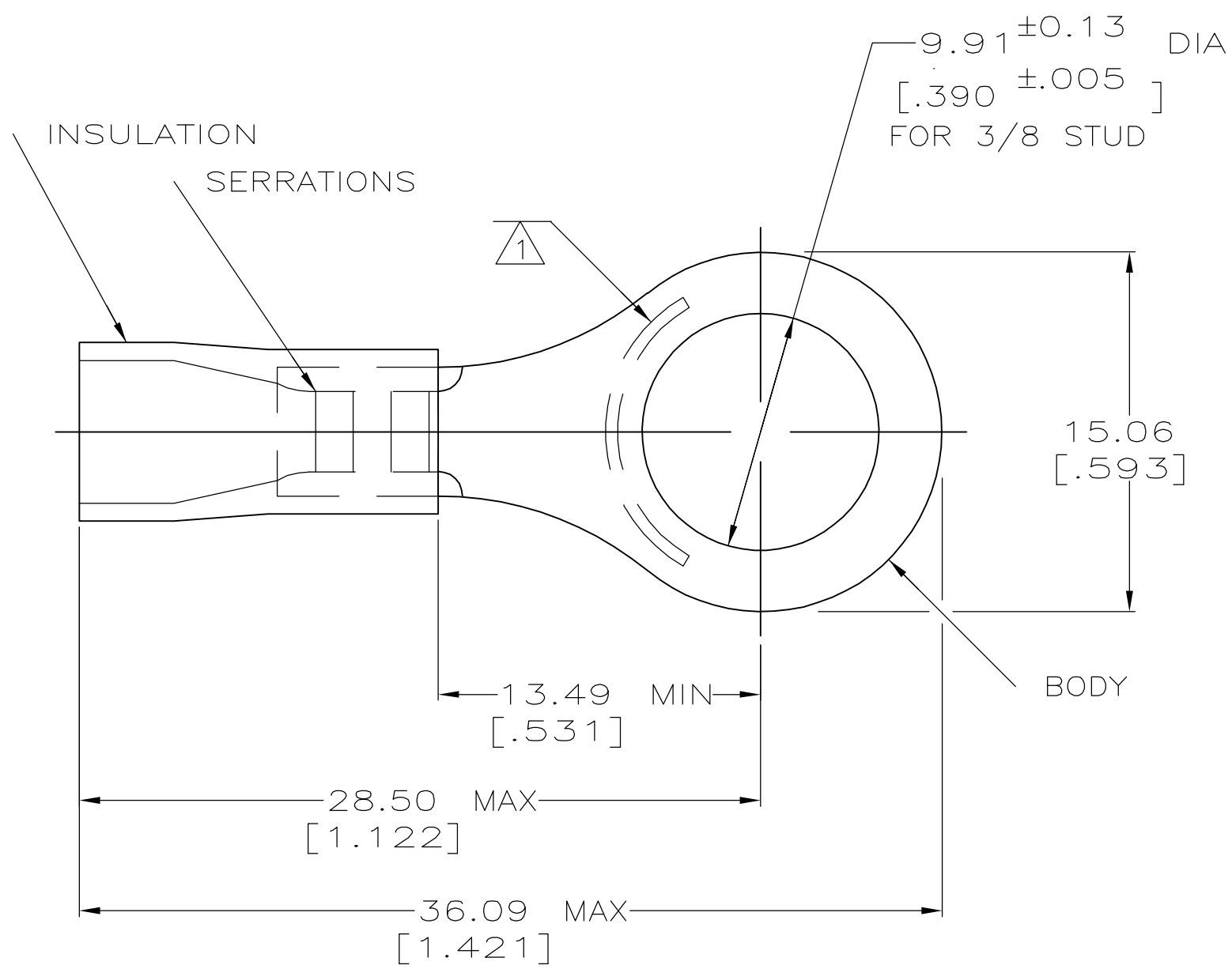


THIS DRAWING IS UNPUBLISHED. RELEASED FOR PUBLICATION  
 © COPYRIGHT BY TYCO ELECTRONICS CORPORATION. ALL RIGHTS RESERVED.

| LOC | DIST | REVISIONS |     |                       |         |     |      |
|-----|------|-----------|-----|-----------------------|---------|-----|------|
|     |      | P         | LTR | DESCRIPTION           | DATE    | DWN | APVD |
| G   | 14   |           | V1  | REV PER ECR 06-001832 | 22APR06 | JR  | TM   |



- 1 STAMP AMP 12-10\*, 6-9 APPROX AS SHOWN
- 2 WIRE INSULATION DIA: .150-.250
- 3 TONGUE MATERIAL THK IS 1.02±0.05 [.040±.002]
- 4 MATERIAL: BODY; COPPER PER ASTM B152 INSULATION; PVC COLOR; YELLOW
- 5 FINISH: BODY; TIN PL. PER ASTM B545

|                                |                                |                                |
|--------------------------------|--------------------------------|--------------------------------|
| <b>AMP</b><br>WIRE RANGE       | Listed                         | LR7189<br>Certified            |
| 12-10 AWG<br>SOLID OR STRANDED | 12-10 AWG<br>SOLID OR STRANDED | 12-10 AWG<br>SOLID OR STRANDED |

|      |               |           |
|------|---------------|-----------|
| 50   | LOOSE PC,BOX  | 8-34173-2 |
| 1000 | ON TAPE, REEL | 2-34173-1 |
| 500  | LOOSE PIECE   | 34173     |
| QTY  | PACKAGE TYPE  | PART NO   |

|   |  |
|---|--|
| <b>AMP INCORPORATED<br/>CUSTOMER SERVICE SYSTEMS</b>                                      |  |
| FOR ADDITIONAL<br>PRODUCT INFORMATION OR<br>COPIES OF DRAWINGS<br>AND TECHNICAL DOCUMENTS | PRODUCT INFORMATION CENTER<br>1-800-522-6752 |
| FOR APPLICATION<br>TOOLING INFORMATION  | TOOLING ASSISTANCE CENTER<br>1-800-722-1111  |
| FOR ORDER ENTRY   | 1-800-526-5142                               |

|  |
|--|
| MAX RECOMMENDED OPERATING<br>TEMPERATURE:<br>105°C [221°F]           |
| VOLTAGE RATING:<br>N/A   |
| CIRCULAR MIL AREA:<br>2.62-6.64mm² [5180-13100]<br>SOLID OR STRANDED |

|  |   |
|--|---|
| THIS DRAWING IS A CONTROLLED DOCUMENT. |   |
| DIMENSIONS:<br>mm [INCHES]             | TOLERANCES UNLESS<br>OTHERWISE SPECIFIED: |
|  | 0 PLC ± -                                 |
|  | 1 PLC ± -                                 |
|  | 2 PLC ± 0.20[.008]                        |
|  | 3 PLC ± -                                 |
|  | 4 PLC ± -                                 |
|  | ANGLES ± -                                |
| MATERIAL                               | FINISH                                    |
| - 4                                    | - 5                                       |

|                                   |  |                    |
|-----------------------------------|--|--------------------|
| DWN<br>DK SCHRUM<br>08/06/92      | <b>tyco</b><br>Tyco Electronics Corporation<br>Harrisburg, Pa 17105-3608 |                    |
| CHK<br>RE HERSEY<br>11/10/92      | NAME<br>TERMINAL, RING TONGUE, PLASTI-GRIP                               |                    |
| APVD<br>M ELLIS<br>11/10/92       | PRODUCT SPEC<br>108-1034   |                    |
| APPLICATION SPEC<br>NOT AVAILABLE | SIZE<br>A3   | CAGE CODE<br>00779 |
| WEIGHT<br>-                       | DRAWING NO<br>C-34173  | RESTRICTED TO<br>- |
| CUSTOMER DRAWING                  |  | SCALE<br>4:1       |
|                                   |  | SHEET<br>1 OF 1    |
|                                   |  | REV<br>V1          |

# Mouser Electronics

Authorized Distributor

Click to View Pricing, Inventory, Delivery & Lifecycle Information:

[TE Connectivity:](#)

[2-34173-1](#)