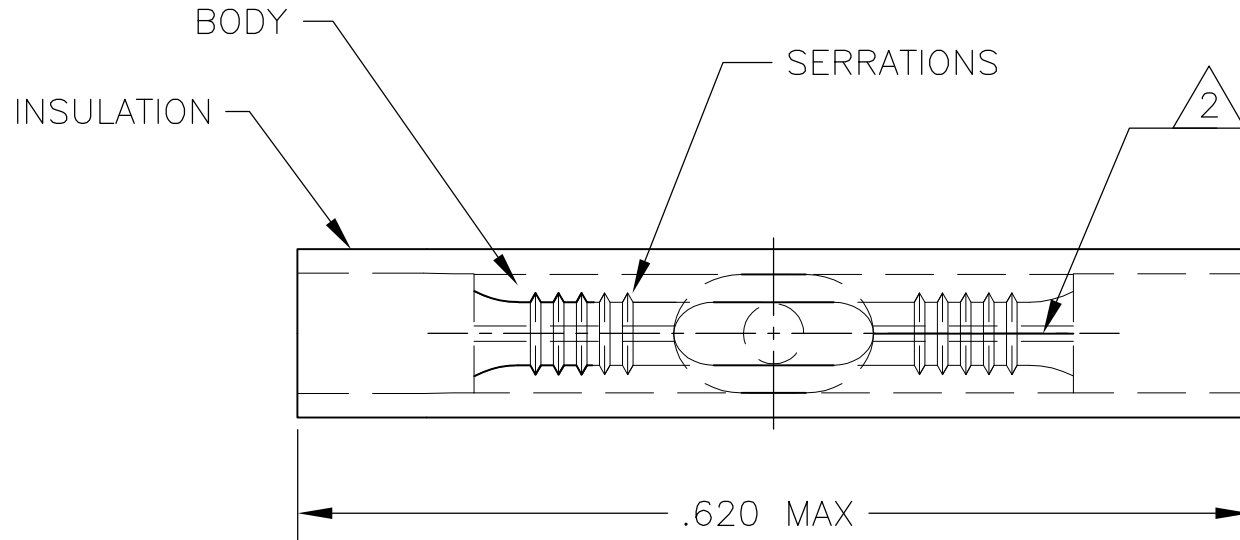
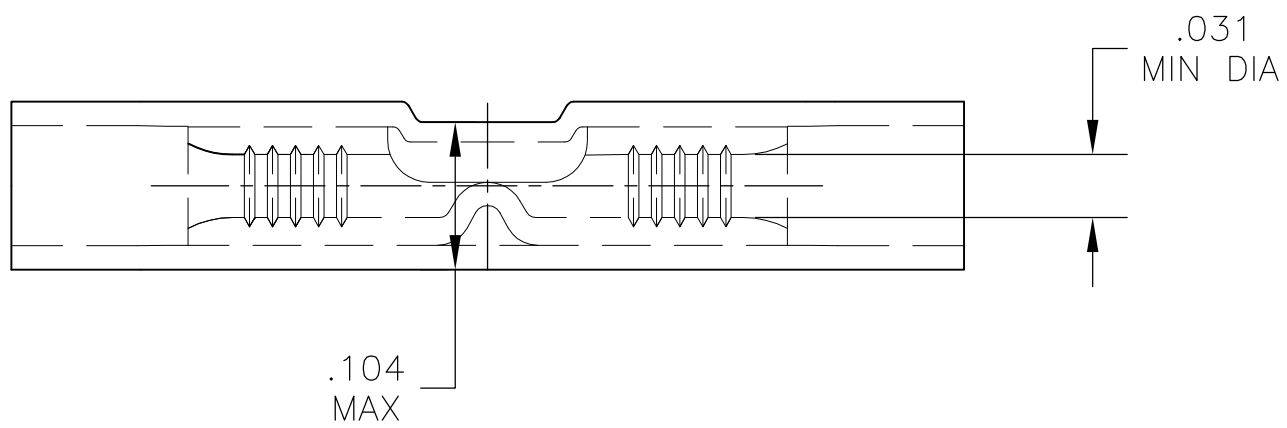


THIS DRAWING IS UNPUBLISHED. RELEASED FOR PUBLICATION
 © COPYRIGHT - By - ALL RIGHTS RESERVED.

LOC	DIST	REVISIONS					
		P	LTR	DESCRIPTION	DATE	DWN	APVD
G	14		G	REVISED PER ECO-14-015185	04DEC2014	NK	DR



- 1 FOR .050 TO .080 WIRE INSULATION DIA.
- 2 BRAZED SEAM ON BUTT SPLICE BODY.
- 3 MATERIAL: INSULATION - PVC
 COLOR - YELLOW, TRANSPARENT
 BODY - COPPER PER ASTM B152
 FINISH - TIN PL. PER ASTM B545



100	LOOSE PIECE	8-321026-1
4000	ON TAPE	2-321026-1
1000	LOOSE PIECE	321026
QTY	DESCRIPTION	PART NO

THIS DRAWING IS A CONTROLLED DOCUMENT.		DWN jr_ruth 27OCT04	STE TE Connectivity			
DIMENSIONS: INCHES		CHK T MICHELUTTI 27OCT04				
TOLERANCES UNLESS OTHERWISE SPECIFIED:		APVD T MICHELUTTI 27OCT04	NAME			
0 PLC ± - 1 PLC ± - 2 PLC ± - 3 PLC ± .008 4 PLC ± - ± 5° ANGLES FINISH		PRODUCT SPEC -	WIRE BUTT SPLICE, PLASTI-GRIP, WIRE SIZE: 26-22			
MATERIAL 3	FINISH 3	APPLICATION SPEC 114-2161	SIZE A3	CAGE CODE 00779	DRAWING NO C-321026	RESTRICTED TO -
CUSTOMER DRAWING			SCALE 1:1	SHEET 1 OF 1	REV G	

Mouser Electronics

Authorized Distributor

Click to View Pricing, Inventory, Delivery & Lifecycle Information:

[TE Connectivity:](#)

[2-321026-1](#)