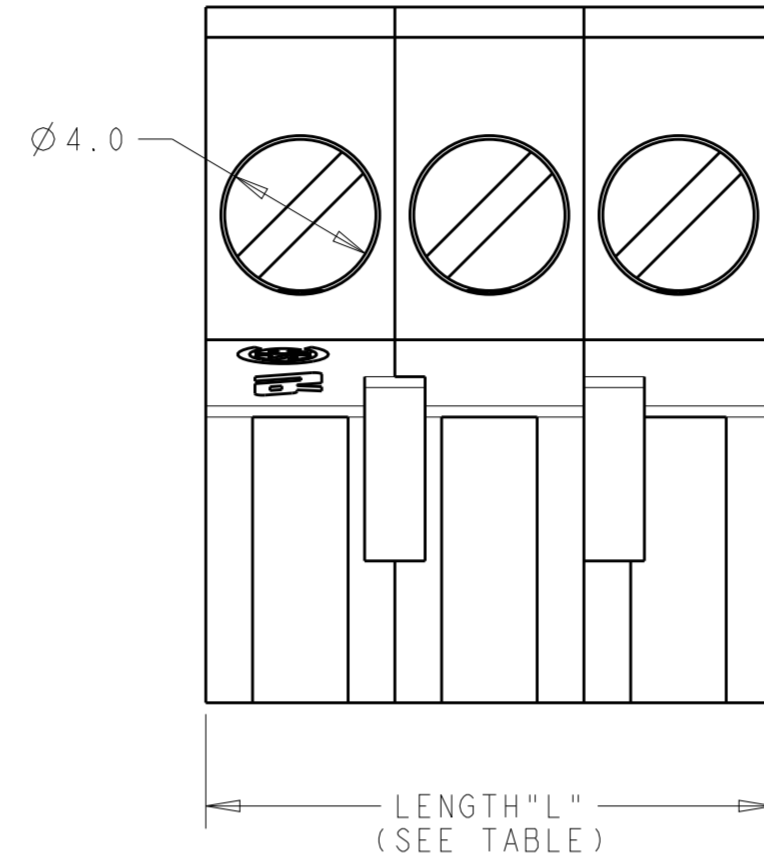
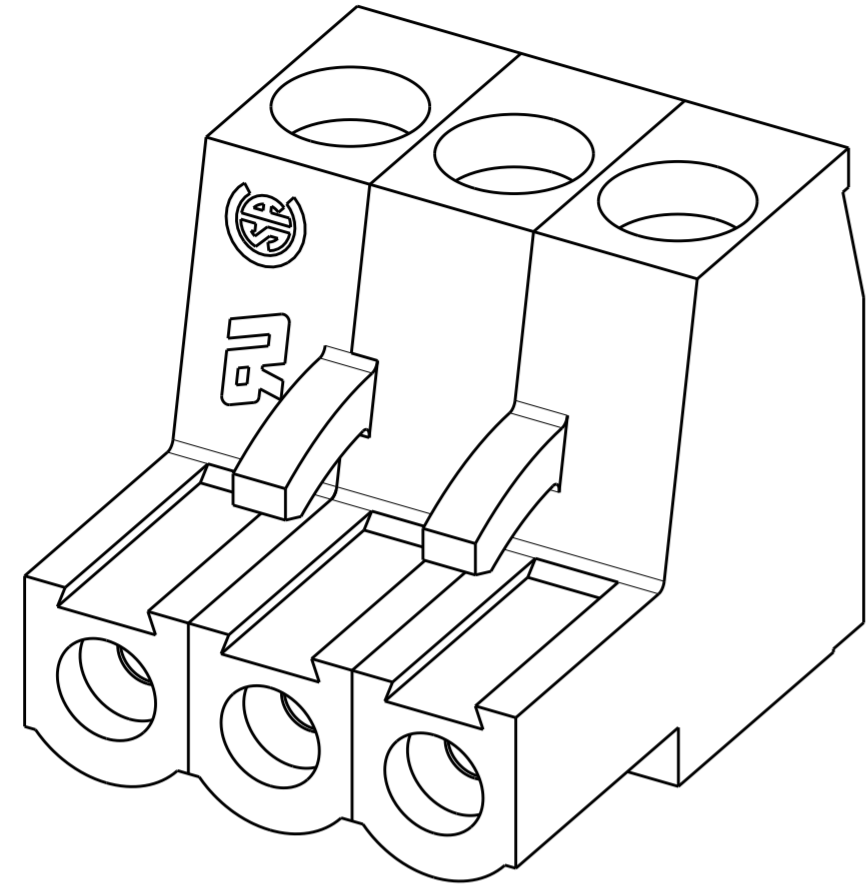


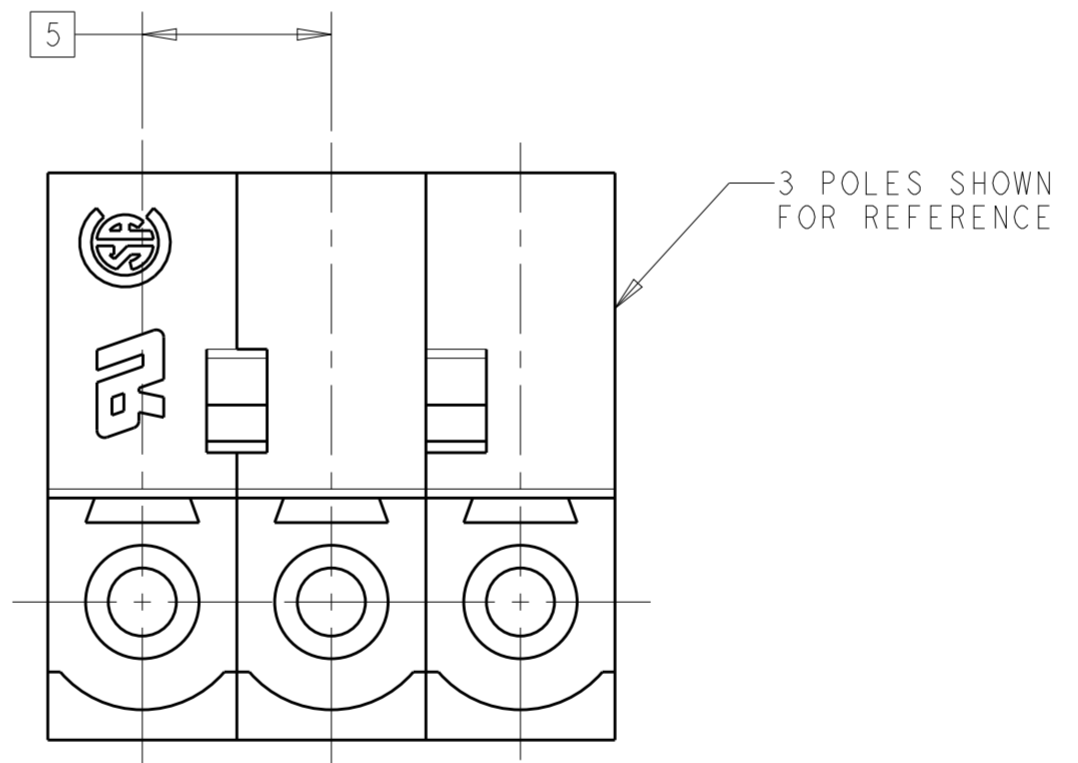
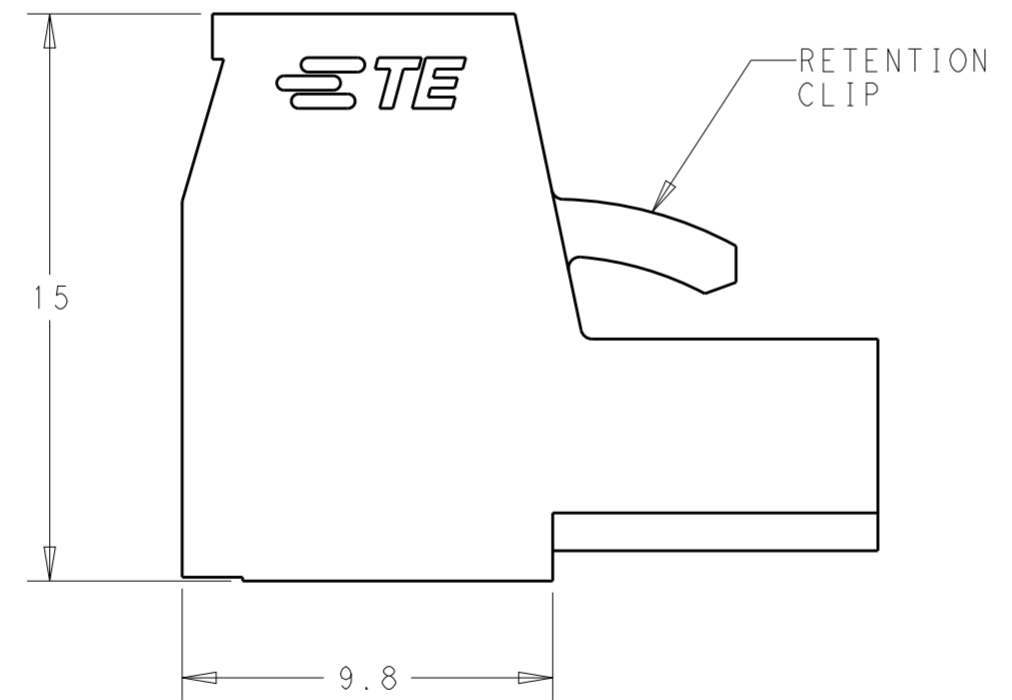
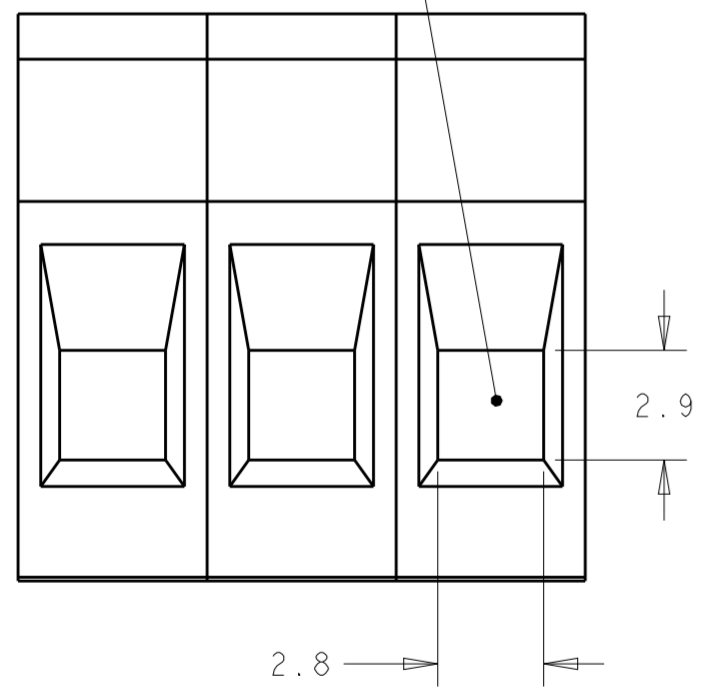
THIS DRAWING IS UNPUBLISHED. RELEASED FOR PUBLICATION  
 © COPYRIGHT copyright.d8te- ALL RIGHTS RESERVED.

REVISIONS				
P	LTR	DESCRIPTION	DATE	APVD
A		NEW DRAWING	12SEP2016	RS ML
A1		REVISED PER ECR-16-016988	03JAN2017	RK PO



1. HOUSING MATERIAL: THERMOPLASTIC, FLAME-RETARDANT PER UL 94 V-0  
COLOR = BLACK
2. CONTACT MATERIAL: COPPER ALLOY, NICKEL PLATE
3. WIRE SIZE: 26-12 AWG
4. WIRE STRIP LENGTH = 7.0MM
5. SCREW TIGHTENING TORQUE: 0.5 N·m
6. PRODUCT CERTIFICATIONS:  
UL, CSA: 300V (SEE TABLE FOR RATED CURRENT)
7. HAZARDOUS SUBSTANCE COMPLIANCE: RoHS, REACH
8. MATES WITH 2305908

WIRE ENTRY



10A UL GROUP D CSA GROUP D,E	60.0	12	1-2305909-2
	55.0	11	1-2305909-1
	50.0	10	1-2305909-0
15A UL GROUP B CSA GROUP B	45.0	9	2305909-9
	40.0	8	2305909-8
	35.0	7	2305909-7
	30.0	6	2305909-6
	25.0	5	2305909-5
	20.0	4	2305909-4
	15.0	3	2305909-3
10.0	2	2305909-2	
RATED CURRENT $\Delta$	LENGTH "L" (mm)	NO. OF POLES	TE PART NO.

THIS DRAWING IS A CONTROLLED DOCUMENT.

DWN	RAVLS	12SEP2016
CHK	M.LUKSIC	12SEP2016
APVD	M.LUKSIC	12SEP2016

**STE** TE Connectivity

NAME: TERMINAL BLOCK PLUG, PARALLEL WIRE ENTRY, 5.0MM PITCH

SIZE	CAGE CODE	DRAWING NO	RESTRICTED TO
A2	-	G-2305909	-

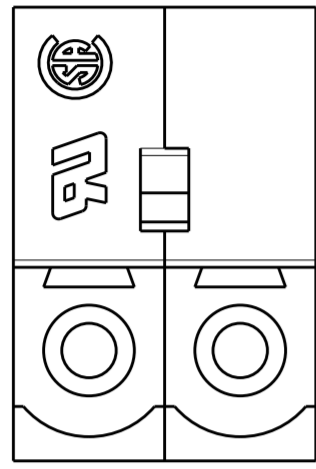
CUSTOMER DRAWING SCALE 5:1 SHEET 1 OF 2 REV A1

DIMENSIONS:	TOLERANCES UNLESS OTHERWISE SPECIFIED:
mm	0 PLC ±
	1 PLC ±0.2
	2 PLC ±0.13
	3 PLC ±
	4 PLC ±
	ANGLES ±
	FINISH -

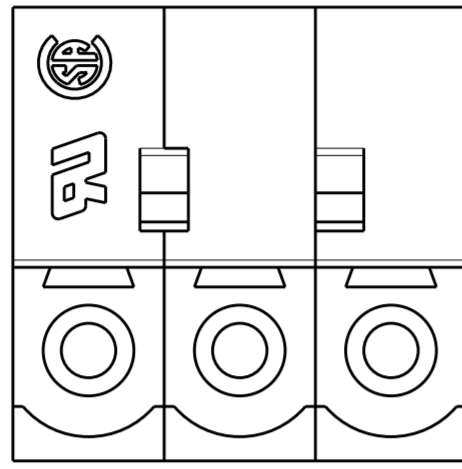
MATERIAL: SEE NOTES

THIS DRAWING IS UNPUBLISHED. RELEASED FOR PUBLICATION  
 © COPYRIGHT copyright.d8Te- ALL RIGHTS RESERVED.

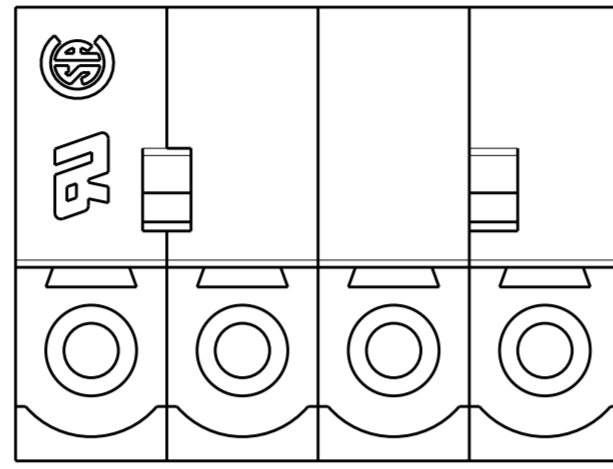
REVISIONS				
P	LTR	DESCRIPTION	DATE	APVD
-		SEE SHEET 1	-	-



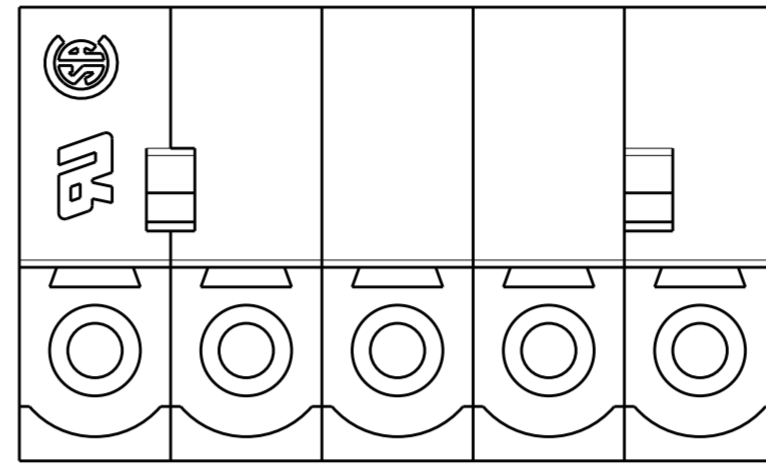
2 POLES: 2305909-2



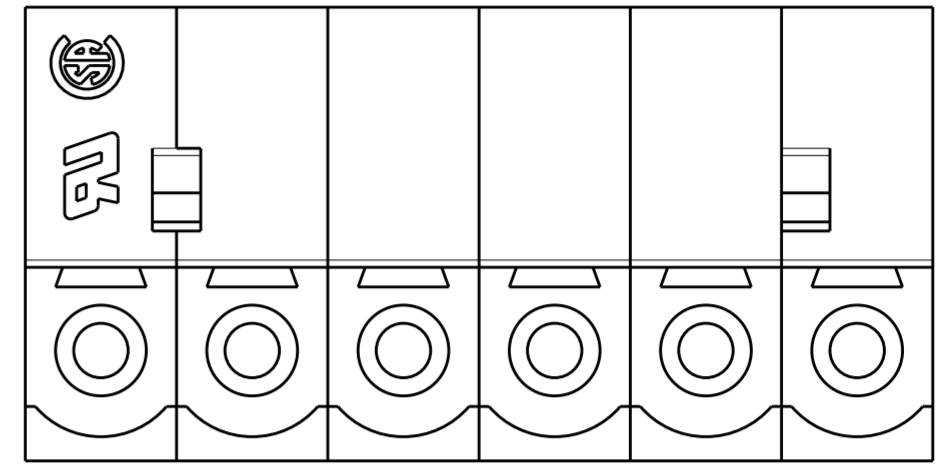
3 POLES: 2305909-3



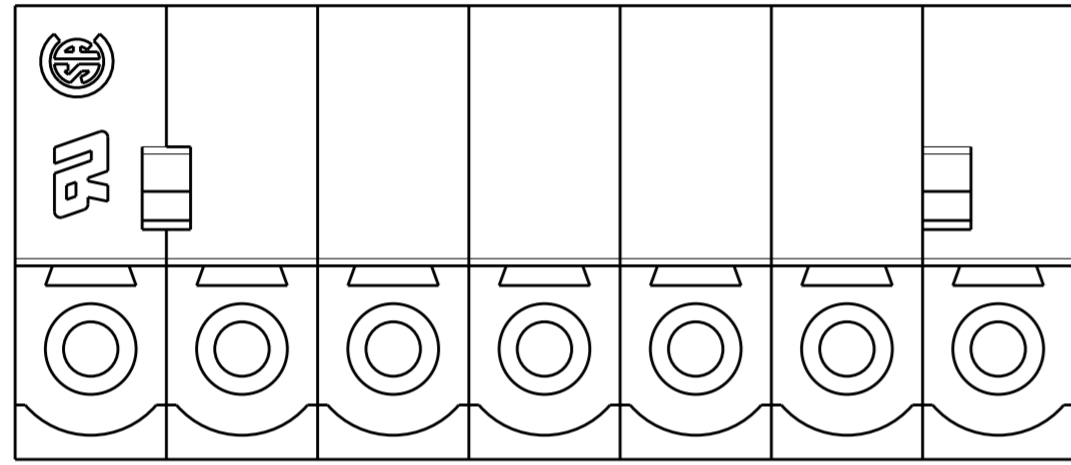
4 POLES: 2305909-4



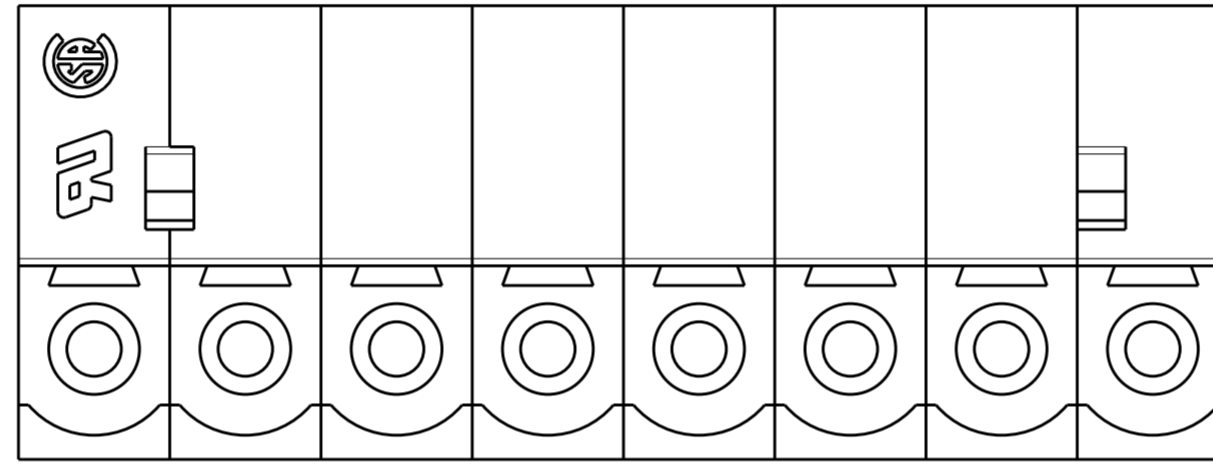
5 POLES: 2305909-5



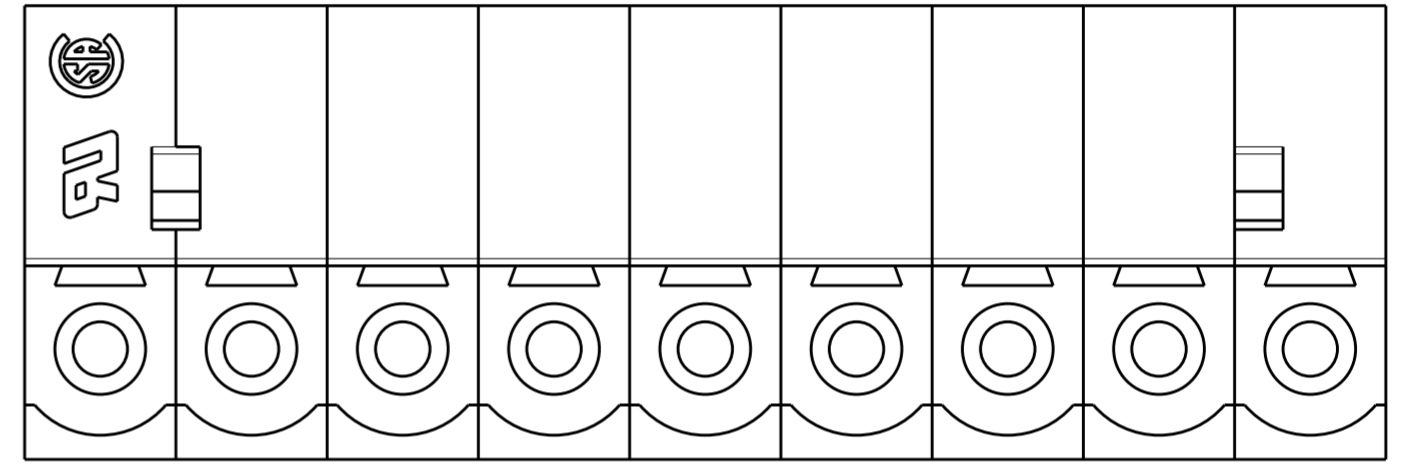
6 POLES: 2305909-6



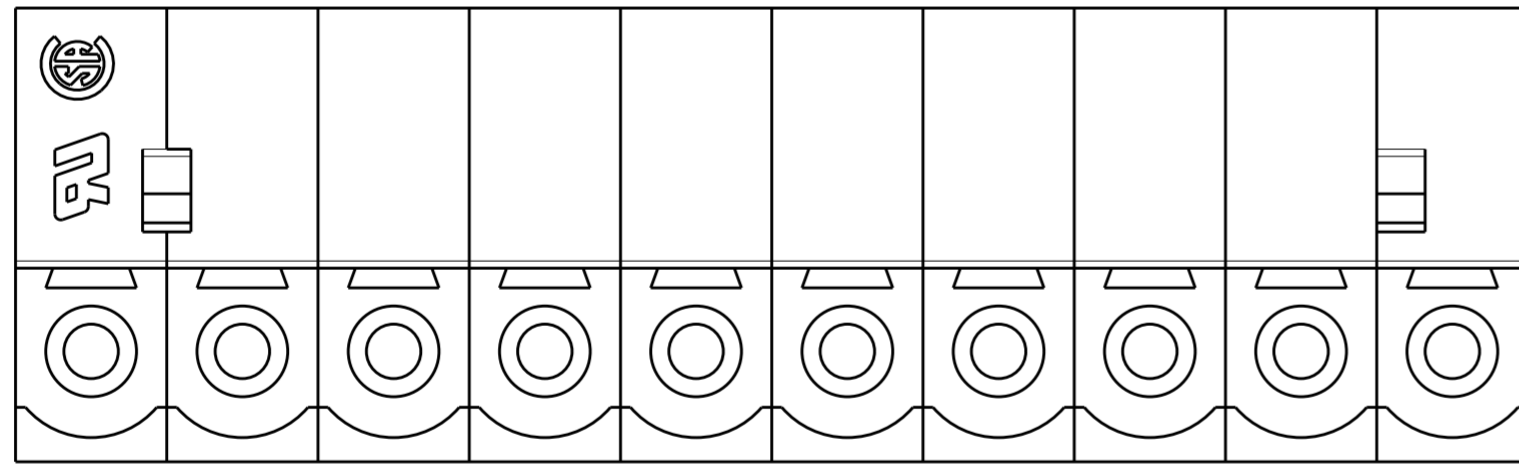
7 POLES: 2305909-7



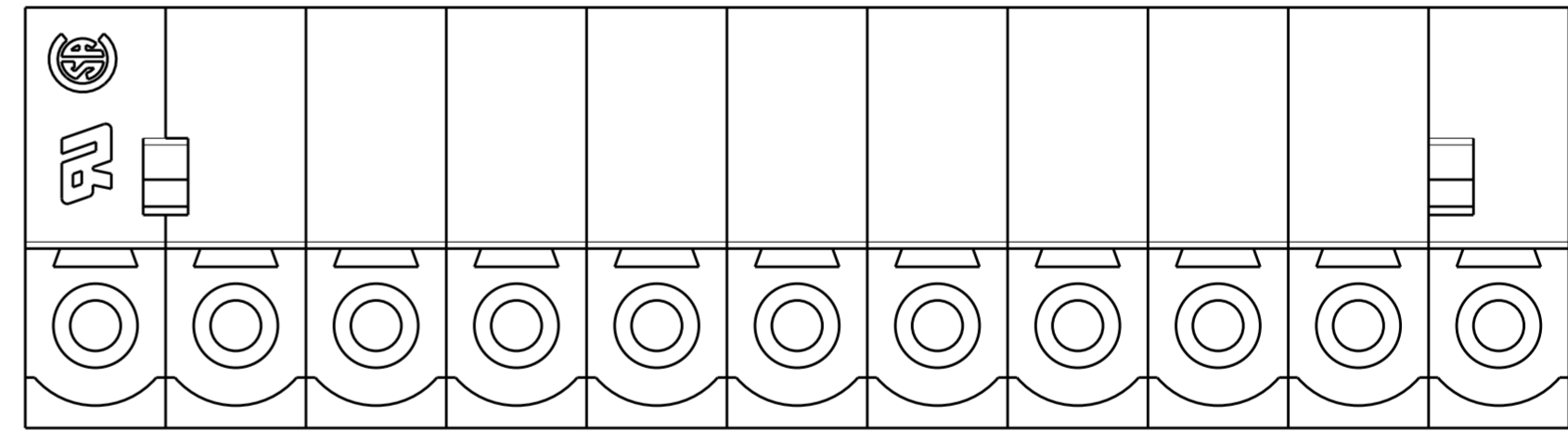
8 POLES: 2305909-8



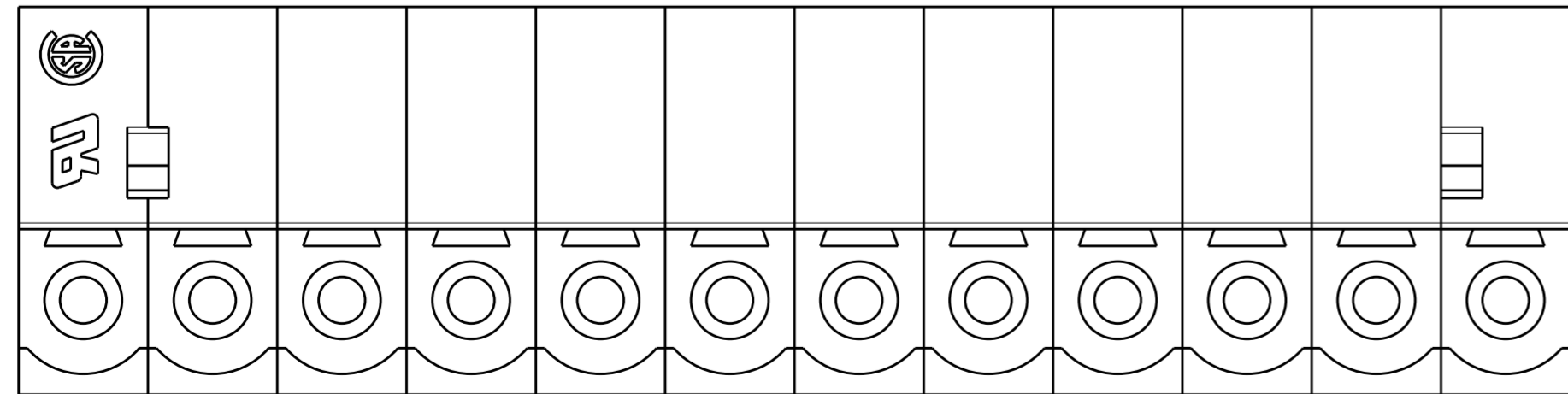
9 POLES: 2305909-9




10 POLES: 1-2305909-0



11 POLES: 1-2305909-1



12 POLES: 1-2305909-2

THIS DRAWING IS A CONTROLLED DOCUMENT.		DWN RAVLS 12SEP2016	 TE Connectivity	
DIMENSIONS: mm		CHK M.LUKSIC 12SEP2016		
TOLERANCES UNLESS OTHERWISE SPECIFIED:		APVD M.LUKSIC 12SEP2016	NAME TERMINAL BLOCK PLUG, PARALLEL WIRE ENTRY, 5.0MM PITCH	
0 PLC ± 1 PLC ±0.2 2 PLC ±0.13 3 PLC ± 4 PLC ± ANGLES ± FINISH -		PRODUCT SPEC -	RESTRICTED TO -	
MATERIAL -		APPLICATION SPEC -	SIZE A2	CAGE CODE -
		WEIGHT -	DRAWING NO G-2305909	
		CUSTOMER DRAWING	SCALE 5:1	SHEET 2 OF 2
			REV A1	

# Mouser Electronics

Authorized Distributor

Click to View Pricing, Inventory, Delivery & Lifecycle Information:

[TE Connectivity:](#)

[2305909-4](#)