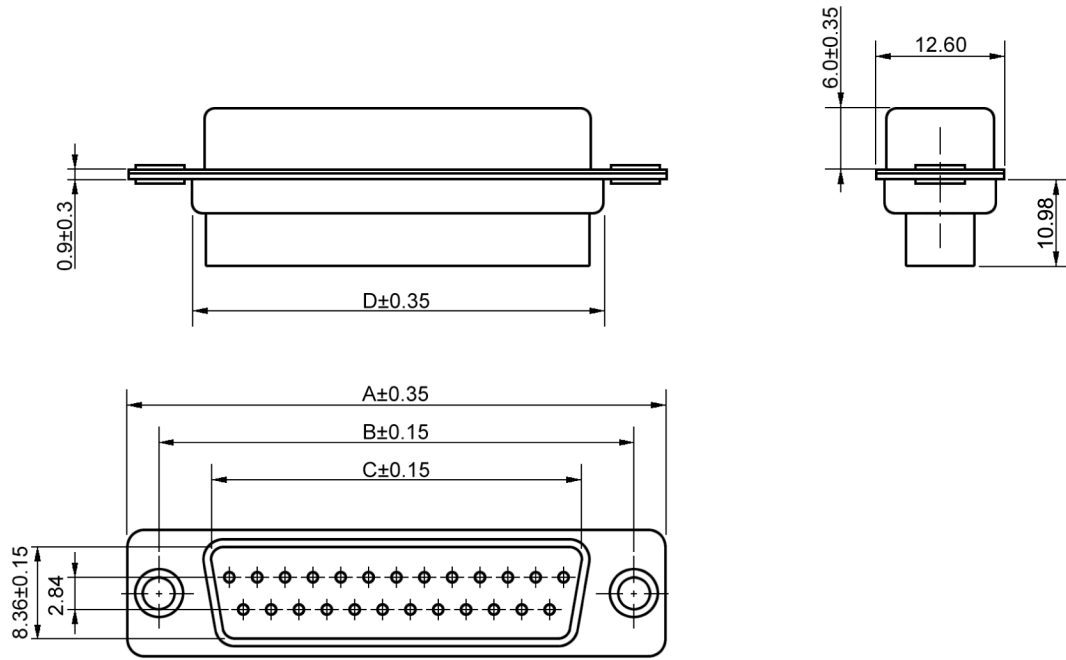


No.	Changes and/or Note No.	Date	Sign	No.	Changes and/or Note No.	Date	Sign



UNIT: (mm)

### DIMENSIONS

Size:	A	B	C	D	Part No:
09P	30.80	25.00	16.92	19.20	2101-0190-01
15P	39.15	33.30	25.25	27.70	2101-0190-02
25P	53.10	47.10	38.96	41.10	2101-0190-03
37P	69.40	63.50	55.42	57.30	2101-0190-04
50P	67.00	61.00	52.81	55.10	2101-0190-05

### MATERIAL SPECIFICATIONS:

Shell: Steel, Tin or Ni Plated (With Dimples)  
Zinc Plated (Without Dimples)  
Insulator: Glass Filled PBT, UL 94 V-0  
Rivet: Copper-Alloy, Ni Plated

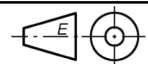
### TECHNICAL SPECIFICATIONS:

Current Rating: 5 Amp Max.  
Contact Resistance: 15 mΩ Max.  
Insulator Resistance: 1000 MΩ Min.  
Test Voltage: 500V AC for 1 Minute  
Operating Temperature: -55°C to +105°C

DATE 2011-06-10	DRAWN MRR	SCALE	MATERIAL TYPE
	APPROVED		REPLACES



DBCxx-SP  
Sub-D Male, Crimp Housing



DRAWING No.

2101-0190-0x