

# DIN Plug Connector



## Features

- RoHS and REACH compliant
- Fits most communication radios
- Solder terminal
- Microphone connector with thread locking



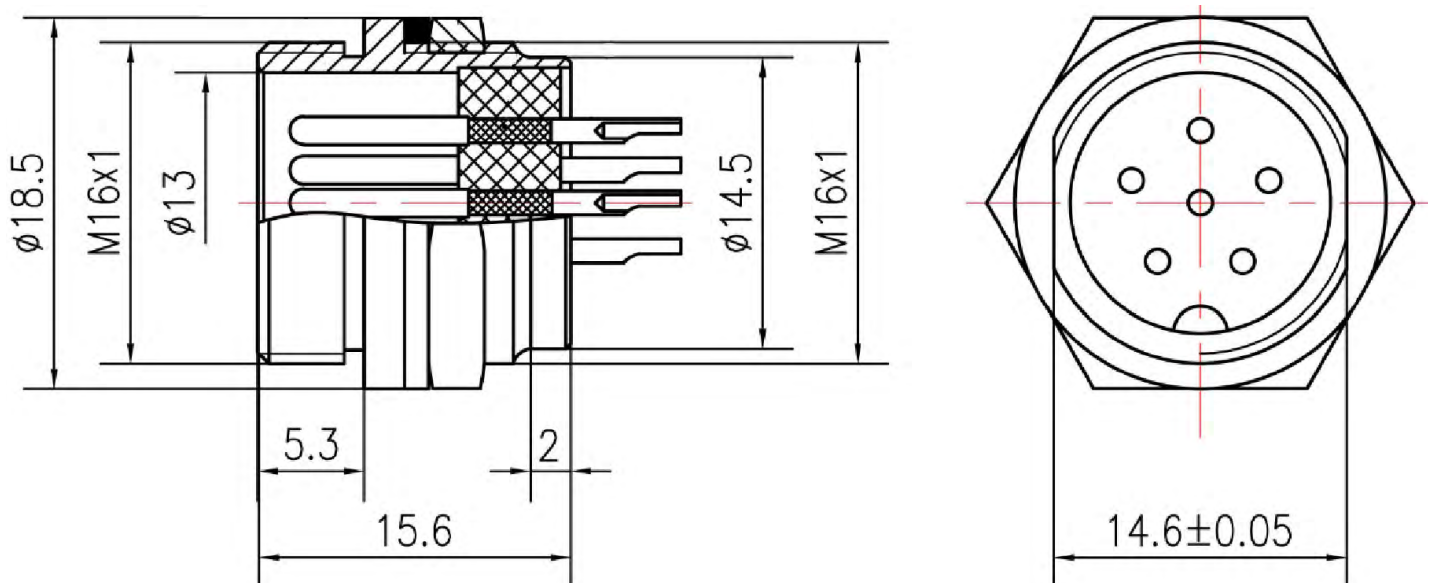
## Specification

|                         |                     |
|-------------------------|---------------------|
| Panel Hole Diameter     | 16 mm               |
| Gender                  | Plug                |
| Mounting Type           | Panel Mount         |
| Number of Poles         | 6                   |
| Mating Type             | Thread-Lock         |
| Orientation             | Straight            |
| Operating Temperature   | 0 ... 60 °C         |
| Voltage Rating          | 125 V               |
| Wire Cross-Section max. | 0.5 mm <sup>2</sup> |
| Insulation Resistance   | 2 GOhm              |
| Contact Resistance      | 10 MOhm             |
| Current Rating          | 4 A                 |

## Material Specification

|                  |                      |
|------------------|----------------------|
| Housing Material | Nickel Plated Copper |
| Contact Material | Nickel-Plated Copper |

## Drawing



Art. Nr.  
RND 205-01362