

WIND SENSOR

STR-W

WARRANTY. The F&F products are covered by a warranty of the 24 months from the date of purchase. Effective only with proof of purchase. Contact your dealer or directly with us. More information how to make a complaint can be found on the website: www.fif.com.pl/reklamacja

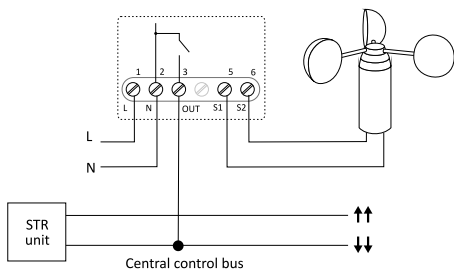


Do not dispose of this device to a garbage bin with other unsorted waste!
 In accordance with the Waste Electrical and Electronic Equipment Act any household electro-waste can be turned in free of charge and in any quantity to a collection point established for this purpose, as well as to the store in the event of purchasing new equipment (as per the old for new rule, regardless of brand). Electro-waste thrown in the garbage bin or abandoned in the bosom of nature pose a threat to the environment and human health.

PURPOSE

STR-W controller along with the external wind sensor is designed for monitoring of current wind speed. If the wind speed exceeds a given threshold value, the internal relay will switch on. Combined with STR-3 or STR-4 roller blind controllers it allows to build a system that closes window roller blinds or retracts awnings if the wind is too strong.

CONNECTION SCHEME



Description of terminals:

- 1 - 2 230V AC
- 3 signal output OUT (internal contact relay N on output)
- 5 - 6 S1-S2 wind sensor signal input

FUNCTIONING

The controller operates in two modes:

Continuous

If the wind speed exceeds a given threshold value, the internal contact relay closes and remains closed for the entire duration of wind gusts. Combined with STR-3 and STR-4 roller blind controllers, the continuous mode ensures closing of roller blinds at a time of strong wind and locks them in closed position until the wind ceases.



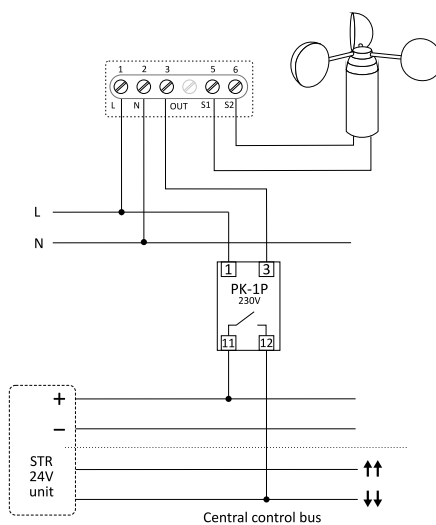
Pulse

If the wind speed exceeds a given threshold value, the internal contact relay closes for approx. 1.5 second, passing to the roller blind controllers a single command of closing. Combined with STR-3 and STR-4 roller blind controllers, the pulse mode ensures closing of roller blinds at the time of strong wind, but then the user has the ability to raise the roller blinds at any time. The range of wind speed alert is regulated smoothly from 20 km/h (position D) to 70 km/h (position C).

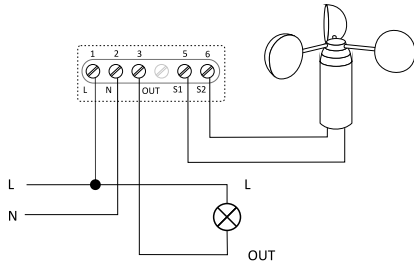


ATTENTION!

Using 12/24V roller blind controllers requires proxy relay, for example PK-1P. Directly connecting STR-W controller to STR-4 or STR-3D-24 controllers inputs will result in equipment damage and may cause fire or electric shock to the user.



Scheme of STR-W controller as an indicator of the given threshold value exceeding.



SIGNALLING

Controller's power supply is indicated by a green LED U light.

Red LED OUT signaling:

* Continuous mode - contact switching and the exceeding of the given wind speed is indicated by continuous LED light.

* Pulse mode - contact switching and the exceeding of the given wind speed is indicated by LED light. After contact disconnection, the LED blinks for the whole duration of the wind that exceeds the given strength limit.

INSTALLATION

1. Disconnect the power.
2. Install the STR-W controller in a place not directly exposed to weather conditions.
3. Install the external wind sensor on the outside of the building, in a place directly exposed to wind.
4. Connect the external wind sensor to S1 and S2 terminals in STR-W controller (in arbitrary order).

NOTE!

If necessary, the wire to the external wind sensor may be extended by an additional 3-core cable (recommended wire diameter: - 0.25-0.5mm²). Make sure the connection point is properly protected from moisture and atmospheric conditions. In the case of long wires (>20m) the use of shielded cables is recommended. The cable shield must be connected from one side to the PE level.

5. Connect the controller accordingly to the chosen scheme of operation.
6. Set the operation mode (A or B) selected with potentiometer.
7. Connect the power.

- 5 -

- 6 -

TECHNICAL DATA

driver

power input	100±265V AC
contact	internal relay closing passes the N line level to output OUT
max. load (AC-1)	2A/230V
power consumption	
stand by	<0.2W
on	<0.6W
working temperature (without vapor condensation)	-15÷50°C
max. tightening torque	0.4Nm
signalling	
power	LED green U
strong wind and relay activation	LED red OUT
terminal	screw terminals 2,5mm ²
dimensions	67x50x26mm
insulation (power-sensor-contact)	≥500V
installation	two screws to the base
protection grade	IP20

propeller

dimensions	Ø80×85W mm
cable	2× 0,25 mm ² /l= 5m
mounting screw	N6
mounting bracket	flat steel (L profile) 150×70×3mm
protection grade	IP65

D140718/141014

- 7 -

- 8 -