



Product designation	SLIM RELAY+SOCKET		
Product type designation	HRA10		
<b>Contact characteristics</b>			
Contact configuration	1 C/O		
Rated insulation voltage $U_i$ IEC/EN	V	250	
Rated impulse withstand voltage $U_{imp}$	kV	4	
IEC Conventional free air thermal current $I_{th}$	A	6	
Maximum instantaneous current	A	20 (500ms)	
Rated current ( $I_n$ )	A	6	
Relay control voltage	V	24VAC/VDC	
Max contrrollable power in			
	AC-1	W	1500
	AC-15	VA	360
Rated operating power AC-1		VA	1500
Rated operating power AC-15	230 VAC	VA	360
Single-phase motor control	230VAC	kW	0.186
Rated operating current DC-1			
	30V	A	6
	110V	A	0.2
	220V	A	0.12
Minimum switching load		V / mA	5 / 100
Contact impedance		m $\Omega$	100
Contact material		Ag/Ni	
<b>Operating times</b>			
Closing		ms	$\leq 8$
Opening		ms	$\leq 4$
<b>Operations</b>			
Mechanical life		cycles	10000000
Electrical life AC1		cycles	30000
<b>Coil characteristics</b>			
Relay control voltage + socket		V	24VAC/DC
Average coil consumption DC at 20°C		W	0.2
Operating range			
	Closing	% $U_n$	$\geq 75$
	Opening	% $U_n$	$\geq 5$
Maximum cycle frequency		cycles/h	10000
<b>Mechanical features</b>			
Max socket terminal tightening torque		Nm	0.5
Socket screw tightening tool (cross / flat blade)		PH0 / 3.5mm	
Conductor section			
	AWG/Kcmil		

	min	20	
	max	16	
IEC			
	min	mm <sup>2</sup>	0.5
	max	mm <sup>2</sup>	1.5
Operating position			
	normal	Any	
Fixing			
		On 35mm DIN rail	

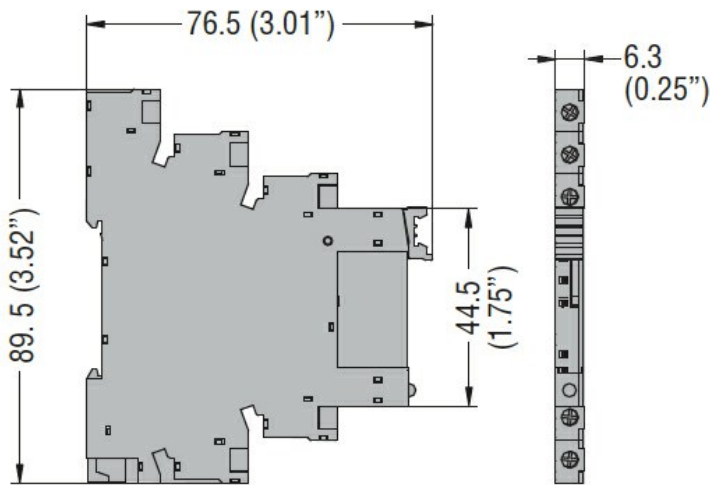
**Ambient conditions**

Temperature			
Operating temperature			
	min	°C	-40
	max	°C	+70
Storage temperature			
	min	°C	-40
	max	°C	+80

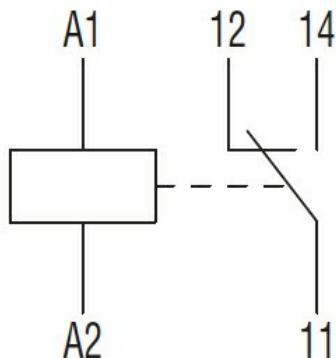
**Other features**

Indication	Yes (on the socket)
Mechanical contact position indicator	No
Mechanical test actuator	No

**Dimensions**



**Wiring diagrams**



**Certifications and compliance**

Compliance	IEC/EN 61810
------------	--------------

---

Certificates

cURus

---

EAC

---

VDE

**ETIM classification**

ETIM 8.0

EC001437 -  
Switching relay