

## Patch cable - VS-04-2X2X26C7/7-SDA/OE/2,0 - 1655784


Please be informed that the data shown in this PDF Document is generated from our Online Catalog. Please find the complete data in the user's documentation. Our General Terms of Use for Downloads are valid (<http://phoenixcontact.com/download>)



Assembled USB cable, shielded, color: RAL 5021 (water blue), PUR outer sheath, USB type A/standard on open cable end, length: 2 m



### Key Commercial Data

Packing unit	1 pc
GTIN	 4 017918 993870
GTIN	4017918993870
Weight per Piece (excluding packing)	131.000 g
Custom tariff number	85444290
Country of origin	Germany
Note	Made to Order (non-returnable)

### Technical data

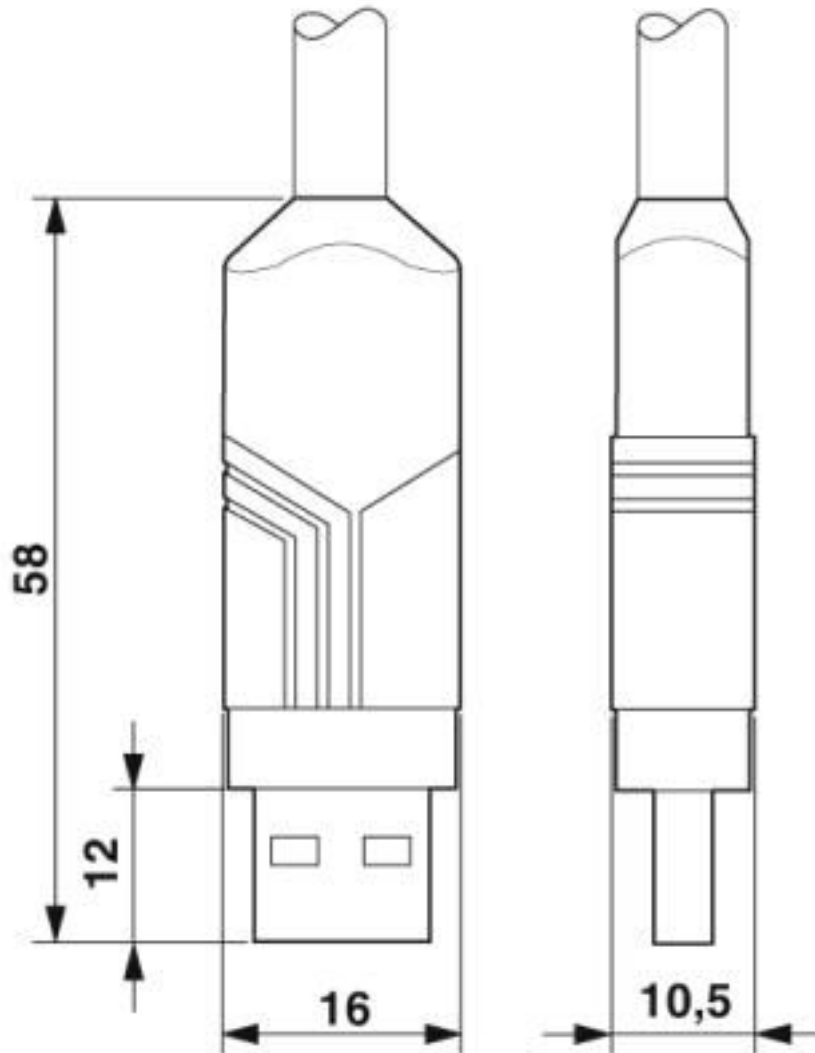
#### Environmental Product Compliance

China RoHS	Environmentally friendly use period: unlimited = EFUP-e
	No hazardous substances above threshold values

### Drawings

# Patch cable - VS-04-2X2X26C7/7-SDA/OE/2,0 - 1655784

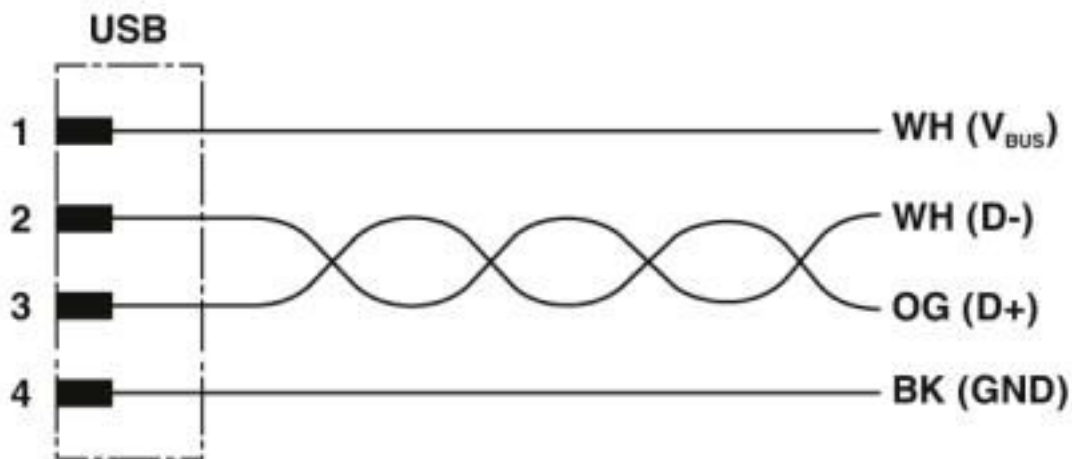
Dimensional drawing



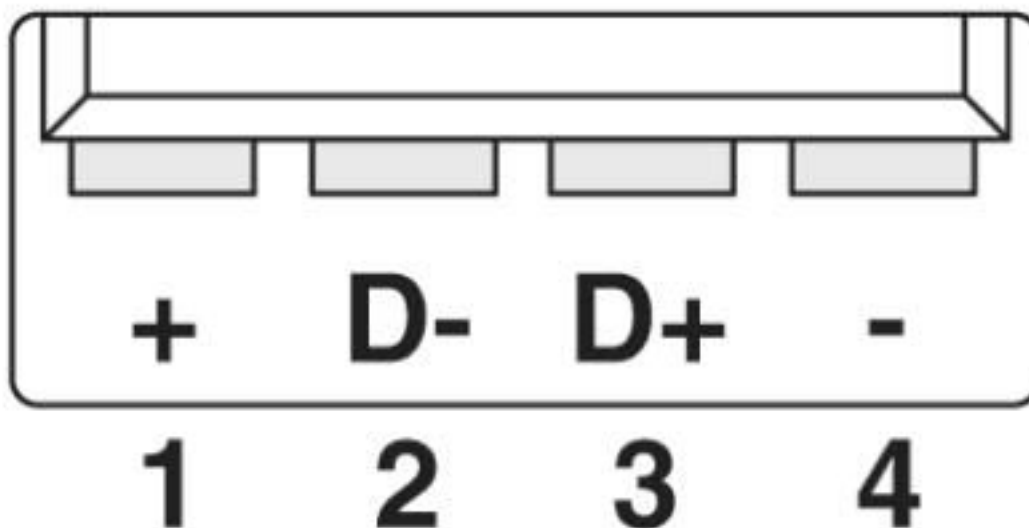
USB connector, type A, Standard

# Patch cable - VS-04-2X2X26C7/7-SDA/OE/2,0 - 1655784

Circuit diagram



Schematic diagram



Pin assignment plug USB, type A

## Classifications

eCl@ss

eCl@ss 10.0.1	27060390
eCl@ss 4.0	24010400
eCl@ss 4.1	24010400
eCl@ss 5.0	19030300
eCl@ss 5.1	19030300
eCl@ss 6.0	27060300
eCl@ss 7.0	27060390

# Patch cable - VS-04-2X2X26C7/7-SDA/OE/2,0 - 1655784

## Classifications

### eCl@ss

eCl@ss 8.0	27060390
eCl@ss 9.0	27060390

### ETIM

ETIM 2.0	EC000830
ETIM 3.0	EC001855
ETIM 4.0	EC001855
ETIM 5.0	EC001408
ETIM 6.0	EC000748
ETIM 7.0	EC000748

### UNSPSC

UNSPSC 6.01	31261501
UNSPSC 7.0901	31261501
UNSPSC 11	31261501
UNSPSC 12.01	31261501
UNSPSC 13.2	26121604
UNSPSC 18.0	26121604
UNSPSC 19.0	26121604
UNSPSC 20.0	26121604
UNSPSC 21.0	26121604

## Approvals

### Approvals

---

Approvals

EAC

---

Ex Approvals

---

### Approval details

EAC		19060508
-----	--	----------