

# STPT2-30K850V-3P-RM

83020202



Surge Protection Device Type 2, 30kA I<sub>max</sub> (8/20), 3Ph; 690V (up to 850V), 3+1 IT Reinforced (U<sub>c</sub> 850+850V); Pluggable, 4 Modules, Remote indication



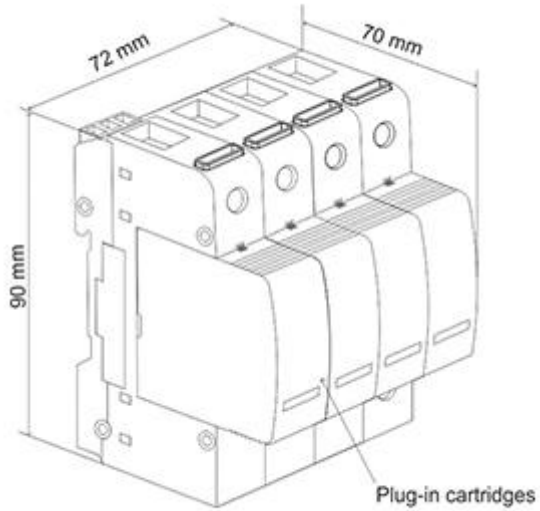
Indicative product image

Technical Data	Value	Units
<b>Commercial data</b>		
Code	83020202	
Part Number	STPT2-30K850V-3P-RM	
Status	Available	
EAN	8435297867616	
Tariff code (HS)	8536.30.90	
Country of origin	Spain	
<b>Dimensions</b>		
Product height	90	[mm]
Product width	72	[mm]
Product length	70	[mm]
Product weight	432	[gr]
<b>General data</b>		
Internal configuration	3+1	
No. poles	4	
No. DIN rail modules	4	
Installation	(L1-L2-L3-PE)	
Format	Pluggable	
Network configuration	IT	
Certifications	CE; UL+C 1449 4th Edition	
Designation according to EN 61643-11	Type 2	
Designation according to IEC 61643-11	Class II	
Insulating material & flammability class	PA66 CT1; V-0	
Enclosure	IP 20	

Technical Data		Value	Units
Temperature range		-40 °C ... +85 °C	
<b>Technical features</b>			
Supply voltage		<b>690 (up to 850) [V]</b>	
Nominal voltage AC 50-60 Hz (L-L)	Un (L-L)	<b>690 (up to 850)</b>	[V]
Maximum continuous operating voltage (L-PE)	Uc (L-PE)	<b>1700</b>	[V]
Maximum peak voltage withstand (L-L)	Upeak (L-PE)	<b>2200</b>	[Vdc]
Maximum discharge current (8/20) (L-N)	I <sub>max</sub> (L-N)	<b>30</b>	[kA]
Nominal discharge current (8/20) (L-N)	I <sub>n</sub> (L-N)	<b>15</b>	[kA]
Nominal discharge current (8/20)	I <sub>n</sub>	<b>15</b>	[kA]
Voltage protection level (L-L) at I <sub>n</sub>	U <sub>p</sub> (L-L)	<b>6</b>	[kV]
Voltage protection level (L-PE) at I <sub>n</sub>	U <sub>p</sub> (L-PE)	<b>6</b>	[kV]
Maximum back-up fuse		<b>80</b>	A [gL]
Short circuit withstand	I <sub>scrr</sub>	<b>25</b>	[kA]
Response time (L-PE)	t <sub>A</sub> (L-PE)	<b>25</b>	[ns]
Remote indication		<b>Yes</b>	
Visual end of life indication		<b>Yes</b>	
Dynamic thermal disconnection		<b>Yes</b>	
<b>UL Technical features</b>			
SPD UL Type		<b>2CA</b>	
Power distribution system		<b>3D</b>	
Maximum continuous operating voltage (L-L)	MCOV (L-L)	<b>1700</b>	[V]
Maximum continuous operating voltage (L-G)	MCOV (L-G)	<b>1700</b>	[V]
Nominal discharge current (UL)	I <sub>n</sub>	<b>10</b>	[kA]
Voltage protection level (L-L) at I <sub>n</sub>	VPR (L-L)	<b>5000</b>	[V]
Voltage protection level (L-G) at I <sub>n</sub>	VPR (L-G)	<b>5000</b>	[V]
Short circuit current rating	SCCR	<b>50</b>	[kA]
<b>Accessories</b>			
Pluggable cartridge 1		83020022	
Pluggable cartridge description 1		SP2-30K850V	

## Wiring diagrams

## Dimensions



## Internal configuration

