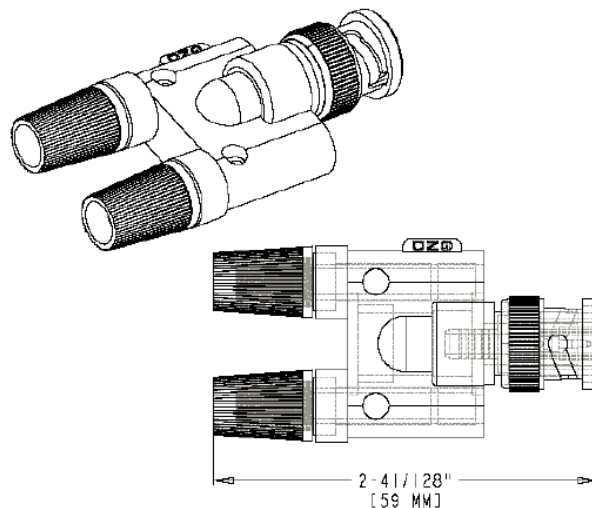


BU-P1296

(Adapter-BNC Male to Double Binding Post)



- Adapter-BNC Male to Double Binding Post
- Allows BNC female connector to be converted for use with standard 4mm test leads on 0.75" spacing.
- 0.16" (4.11mm) diameter holes in body give side stackable connections
- Material:
 - BNC – tarnish resistant plated brass body
 - Center Contact – Gold plated brass
 - Banana Jacks – Nickel plated Brass
 - Insulator – Nylon housing
- Ratings:
 - Impedance: 50 Ohms
 - Hand-Held testing: 30VAC/60VDC Max.
 - Hands free testing: 500 Vrms Max. (controlled)
- Color: The "@" in the model number indicates color.
Available colors are: -0 Black
- RoHS 2 Compliant

Mouser Electronics

Authorized Distributor

Click to View Pricing, Inventory, Delivery & Lifecycle Information:

[Mueller Electric:](#)

[BU-P1296](#)