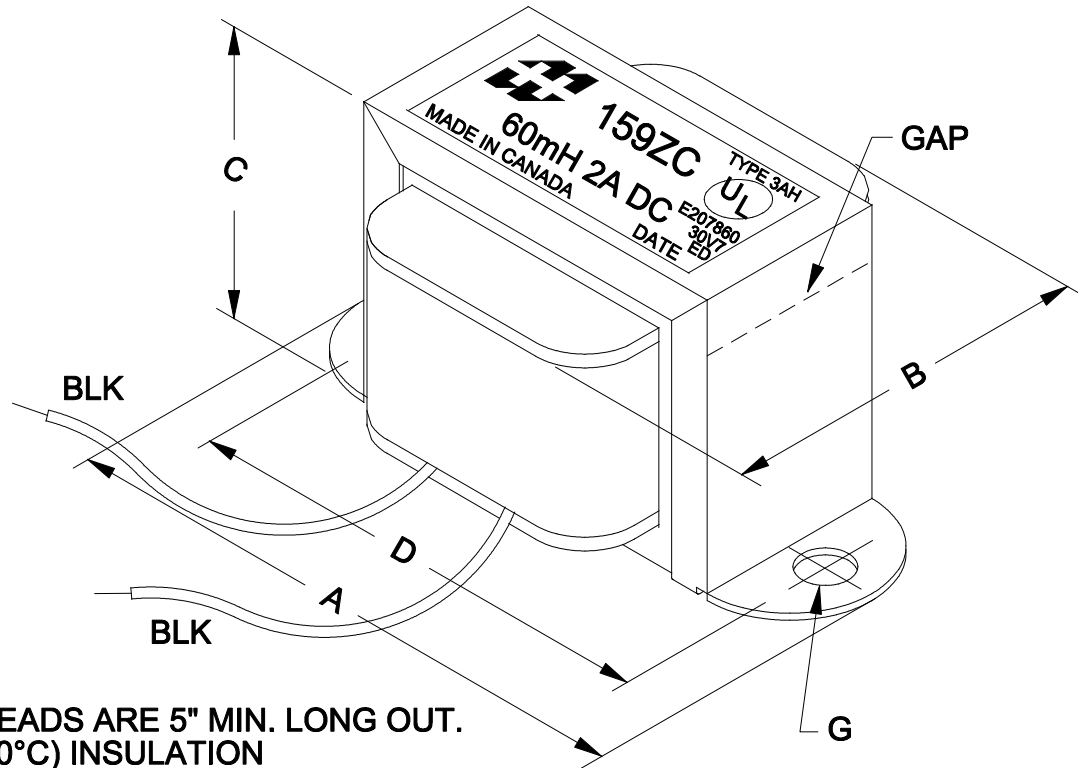
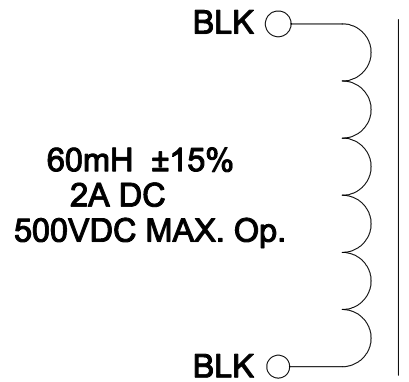


DIMENSIONS:	
A	4.000" ±0.063
B	2.085" ±0.125
C	2.620" ±0.063
D	3.563" ±0.063
G	0.187" ±0.063



NOTE: ALL LEADS ARE 5" MIN. LONG OUT.
CLASS B (130°C) INSULATION
RoHS & REACH COMPLIANT
OPERATING TEMPERATURE: -40°C TO 105°C
STORAGE TEMPERATURE: -40°C TO 85°C

ELECTRICAL DATA:		
TESTS	CONDITIONS	ACCEPTANCE CRITERIA
INDUCTANCE	@ 10V, 60Hz, 2A DC, BLK - BLK	60mH ±15%
DCR	@ 20°C, BLK - BLK =	0.700 Ω ±15%
HIPOT	PRIMARY - SECONDARY	2500V, 60Hz, 1 SEC



ELECTRONIC DIVISION
52 RANKIN PLACE,
WATERLOO, ONTARIO, N2J 3Z5
PH # (519) 886-6181
FAX # (519) 886-9540

TITLE			
CHOKE			
NO	DATE	REVISION	DWG. BY
0	03/30/15	RELEASED.	C.I.
			DATE
			03/30/15
			DIM IN()MM()

159ZC