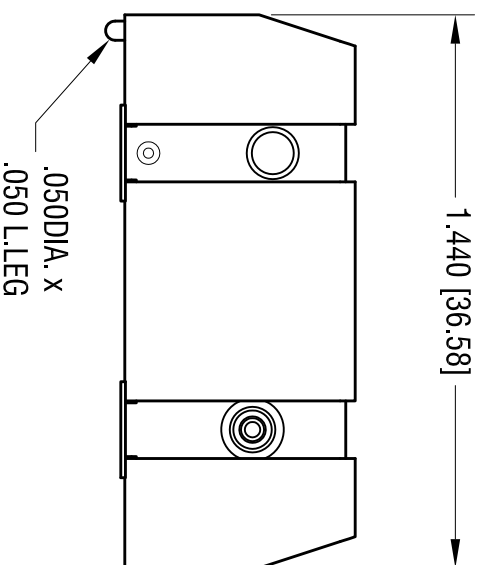
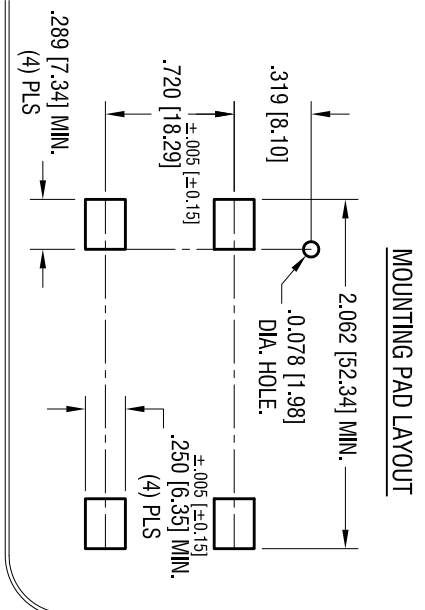
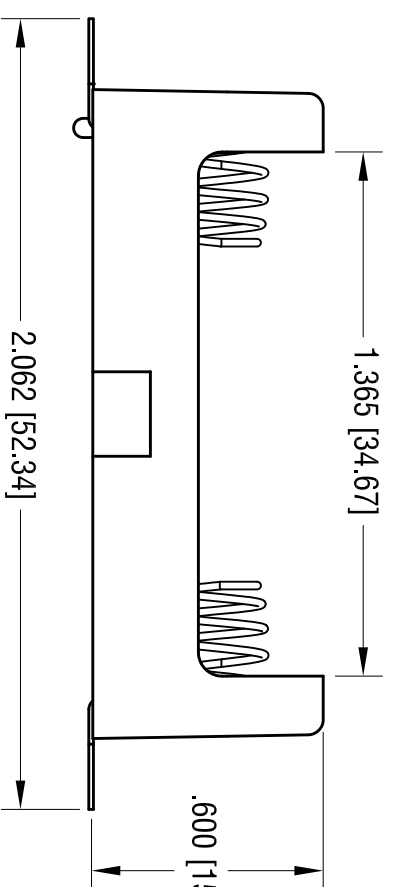
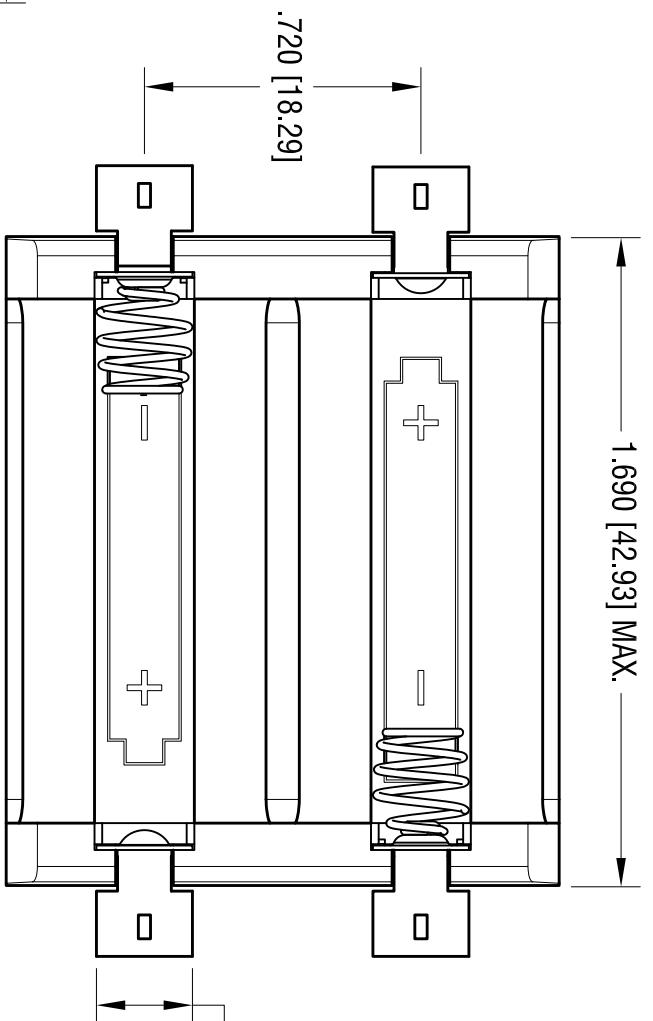


MOUNTING PAD LAYOUT



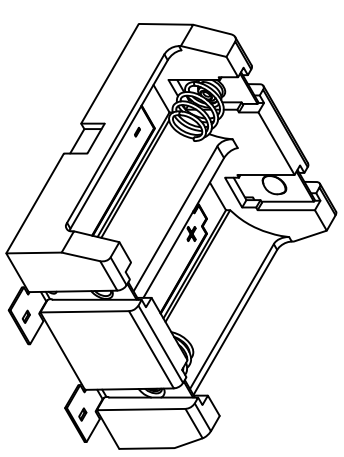
NOTE:

1. BASE:
MATL: HEAT RESISTANCE NYLON (UL94V-0)
STANYL 46 OR EQUIVALENT
2. CONTACT POSITIVE :
MATL: .012 [0.30] THK STAINLESS STEEL
FINISH: GOLD FLASH, OVER NICKEL PLATE.



2. CONTACT NEGATIVE :

- BASE MATL: .012 [0.30] THK STAINLESS STEEL
FINISH: GOLD FLASH, OVER NICKEL PLATE.
- SPRING: MATL-.020 [0.50] DIA, MUSIC WIRE
SPRING-.020 [0.50] DIA, MUSIC WIRE
FINISH: GOLD FLASH, OVER NICKEL PLATE.



ACTUAL SIZE

DATE

DESCRIPTION

REV.

KEYSTONE ELECTRONICS CORP.

www.keystone.com • ASTORIA, N.Y. 11105-2017 • Tel (718) 956-8900

PART NAME

SM BATTERY HOLDER, (2) CR123A

MATERIAL

AS NOTED

FINISH

AS NOTED

TOLERANCES	INCH	[MM]	CODE	DWG NO.
DECIMAL	± .010	[±	C	1014
ANGULAR	± 1°]		

THIS DOCUMENT IS THE PROPERTY OF KEYSTONE ELECTRONICS CORP. AND SHALL NOT BE REPRODUCED, DISTRIBUTED OR USED AS A BASIS FOR MANUFACTURE WITHOUT PRIOR WRITTEN PERMISSION FROM KEYSTONE ELECTRONICS CORP.

DRN BY	DATE
NT	12.31.14
App'D	SCALE
LN	2X

Mouser Electronics

Authorized Distributor

Click to View Pricing, Inventory, Delivery & Lifecycle Information:

[Keystone Electronics:](#)

[1014](#)