

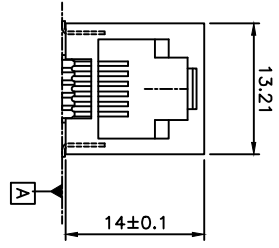
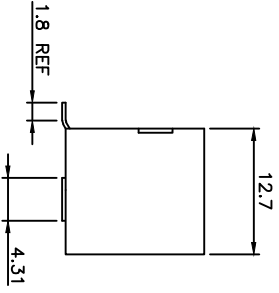
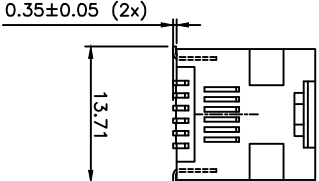
PRODUCT NUMBER
73305-XXXXLF

PLATING OPTION	
1 =	GXT 0.76 µm
3 =	GOLD 0.76 µm
5 =	GOLD 1.27 µm

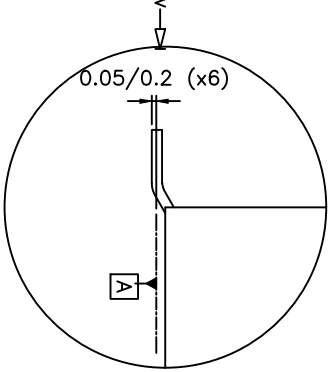
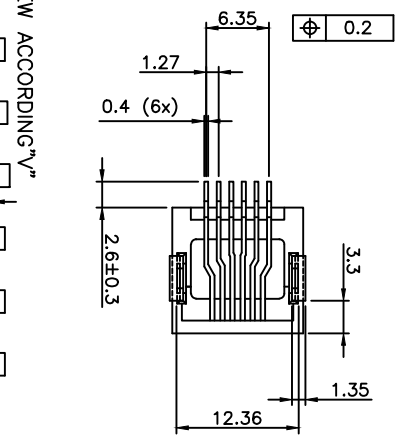
PACKAGE OPTION	
1 =	TAPE ON REEL
2 =	TUBE
3 =	TAPE ON REEL IN PLASTIC BAG

TERMINAL LOADING	
1 =	FULLY LOADED
2 =	POS 2,3,4,5
3 =	POS 1,2,5,6

WHEN NEEDED, SUFFIX LETTER "LF" INDICATES THE PRODUCT IS ROHS COMPATIBLE, SEE NOTE 4.



REFERENCE PLAN
DEFINED BY THE
2 HOLD DOWN
BEARING SURFACE



VIEW ACCORDING "V"
SEE NOTE 3

NOTES:
1 - MATERIAL: HOUSING: HIGH TEMP. PCT, COLOUR BLACK.
TERMINAL: PHOSPHOR BRONZE.
CONTACT AREA: SEE TABLE.

2 - PLATING: SOLDER TAIL : 90/10 SnPb 2µm MIN.
WHEN SUFFIX "LF" IS REQUIRED, 2µm MIN MATTE TIN OVER 1.27 MIN Ni IS SUPPLIED INSTEAD OF SnPb.
NO RAW EDGES EXCEPT SOLDER TAIL TIPS

3 - SOLDER TAILS COPLANARITY : 0.1 mm

4 - ROHS COMPATIBLE PRODUCT SPECIFICATIONS

5 - PLATING:
- "LF" MEANS THE PRODUCT IS LEAD-FREE,
2µm MINIMUM MATTE TIN OVER 1.27µm MINIMUM NICKEL UNDERPLATE.

6 - MANUFACTURING PROCESS COMPATIBILITY
- THE HOUSING WILL WITHSTAND EXPOSURE TO 245°C PEAK TEMPERATURE FOR 30 SECONDS MAX IN A CONVECTION, INFRA-RED OR VAPOR PHASE OR REFLOW OVEN.

7 - LABELING:
- MEETS PACKAGING SPECS AS PER GS-14-920

8 - LEGAL STATEMENT: SEE GS-47-0004

9 - PACKAGING FOR OPTION 3 : EACH REEL IS WRAPPED INTO A PLASTIC BAG TO PROTECT FROM MOISTURE DURING STACKING TIME.

CUSTOMER COPY FOR REFERENCE ONLY

mat'l. code	surface	tolerance	ISO 1302	ISO 406	ISO 1101	projection	product family	title
LF	ecm no	ldr	date	tolerances unless otherwise specified	angles	lineart	±0.13	mm
H	F06-0240 DLE	06.07.18						
J	F09-0070 LSA	09.07.23						
K	B-15798 JFA	13.09.09	±2°					
L	F-21888 AMA	15.09.09	ldr	D	LEGRAND	04.10.18		
F	F04-0363 DLE	04.10.18	chr	P	NIZZI	04.10.18		
G	F05-0247 DLE	05.09.12	qppd	D	LEGRAND	04.10.18		
				P.N.Z		04.10.18		
sheet	revision	L	E	B				
index	sheet	1	2	3				



product family
MOD JACK

title
SMT RA JACK
6 POS OUTSIDE

dwg no
73305

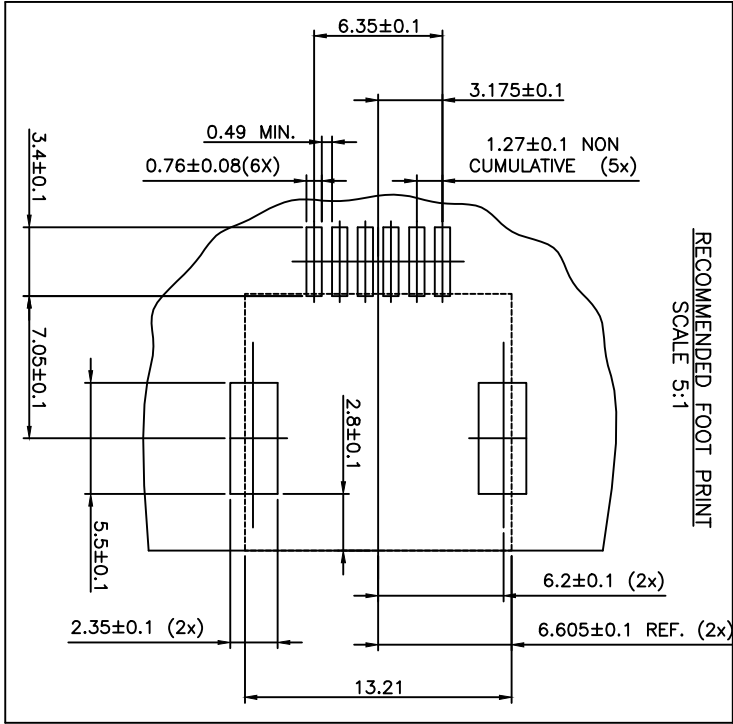
sheet 1 of 3 size
A3

type
CUSTOMER Drawing



FCIconnect.com

Copyright FCI



CUSTOMER COPY FOR REFERENCE ONLY

mat'l. code

surface

tolerance

projection

product family

MOD JACK

lit. ecn no

ISO 1902

ISO 406

ISO 1101

ISO 1101

ISO 1101

dr date

04.10.18

04.10.18

04.10.18

04.10.18

04.10.18

angle

linear

±0.13

mm

scale 2:1

scale 2:1

engr

P NIZZI

04.10.18

04.10.18

04.10.18

04.10.18

chr

D LEGRAND

04.10.18

04.10.18

04.10.18

04.10.18

qppd

P NZ

04.10.18

04.10.18

04.10.18

04.10.18

sheet index

revision

sheet

sheet

sheet

sheet

sheet

sheet

sheet

sheet

sheet

sheet

sheet

sheet

sheet

sheet

sheet

sheet

sheet

sheet

sheet

sheet

sheet

sheet

form: A4

1

1

1

1

1

1

1

1

1

1

1

1

1

1

1

1

1

1

1

1

1

1

1

2

2

2

2

2

2

2

2

2

2

2

2

2

2

2

2

2

2

2

2

2

2

2

2

2

2

2

2

2

2

2

2

2

2

2

2

2

2

2

2

2

2

2

2

2

2

2

2

2

2

2

2

2

2

2

2

2

2

2

2

2

2

2

2

2

2

2

2

2

2

2

2

2

2

2

2

2

2

2

2

2

2

2

2

2

2

2

2

2

2

2

2

2

2

2

2

2

2

2

2

2

2

2

2

2

2

2

2

2

2

2

2

2

2

2

2

2

2

2

2

2

2

2

2

2

2

2

2

2

2

2

2

2

2

2

2

2

2

2

2

2

2

2

2

2

2

2

2

2

2

2

2

2

2

2

2

2

2

2

2

2

2

2

2

2

2

2

2

2

2

2

2

2

2

2

2

2

2

2

2

2

2

2

2

2

2

2

2

2

2

2

2

2

2

2

2

2

2

2

2

2

2

2

2

2

2

2

2

2

2

2

2

2

2

2

2

2

2

2

2

2

2

2

2

2

2

2

2

2

2

2

2

2

2

2

2

2

2

2

2

2

2

2

2

2

2

2

2

2

2

2

2

2

2

2

2

2

2

2

2

2

2

2

2