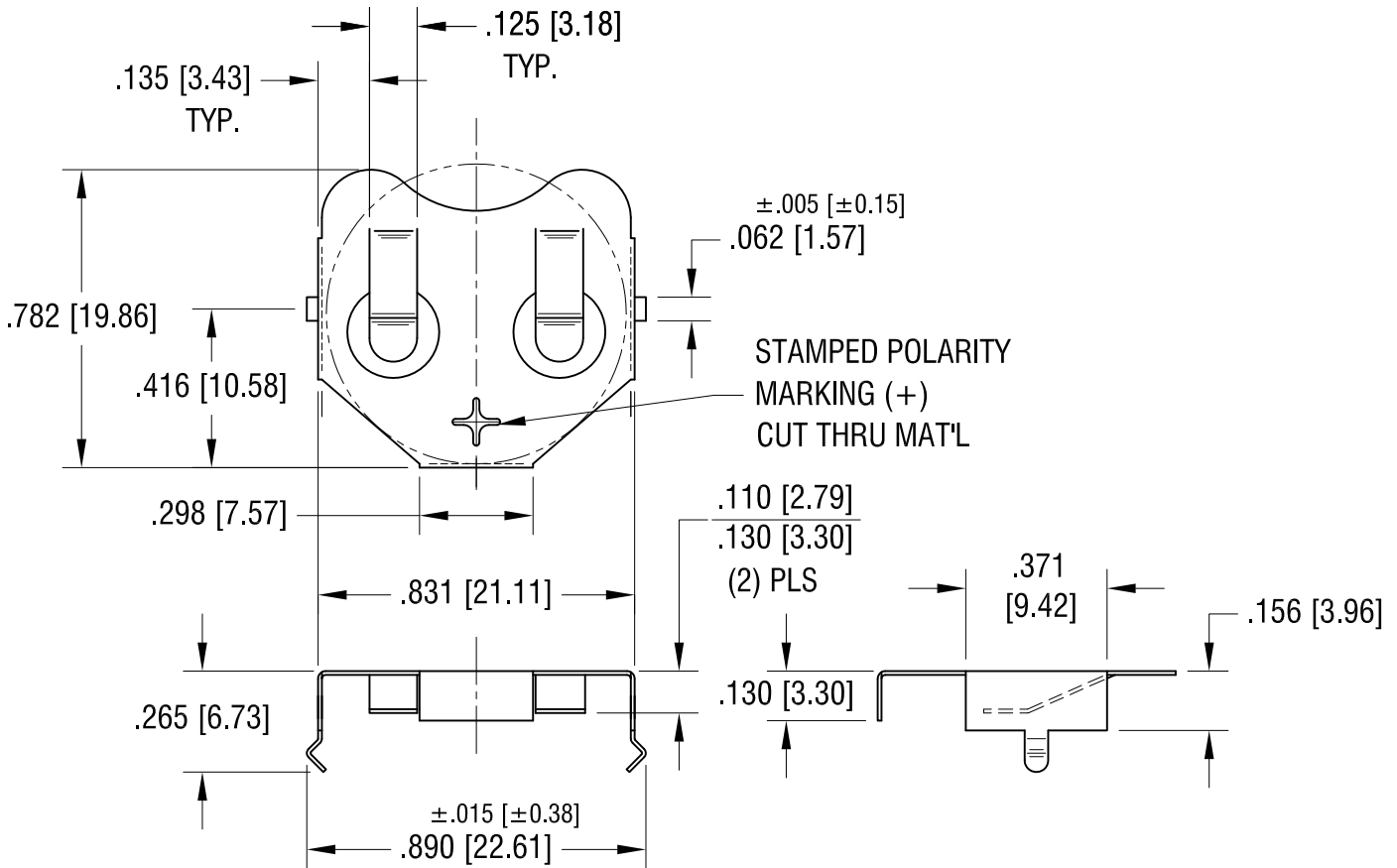
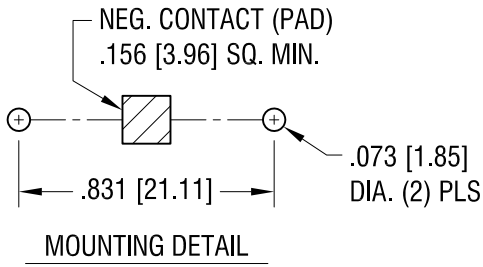
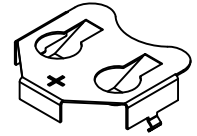


THIS DOCUMENT IS THE PROPERTY OF  
KEYSTONE ELECTRONICS CORP. AND  
SHALL NOT BE REPRODUCED, DISTRIBUTED  
OR USED AS A BASIS FOR MANUFACTURE  
WITHOUT PRIOR WRITTEN PERMISSION  
FROM KEYSTONE ELECTRONICS CORP.

ACTUAL SIZE



**KEYSTONE ELECTRONICS CORP.**

www.keyelco.com • ASTORIA, N.Y. 11105-2017 • Tel (718) 956-8900

PART NAME

20mm PC COIN CELL CLIP

MATERIAL

.010 [0.25] TH'K PHOSPHOR BRONZE

FINISH

TIN NICKEL PLATE

DRN BY BOONE

DATE 10.14.94

APP'D LN

SCALE 2X

TOLERANCES INCH [MM]  
DECIMAL ±.010 [±0.25]  
ANGULAR ± 1°  
UNLESS OTHERWISE SPECIFIED

CODE C

DWG NO.

**3003**

5.04.16	CHANGE AS PER ECN 16-051	N
1.28.08	CHANGE AS PER ECN 08-055	M
DATE	DESCRIPTION	REV.

# Mouser Electronics

Authorized Distributor

Click to View Pricing, Inventory, Delivery & Lifecycle Information:

[Keystone Electronics:](#)

[3003](#)