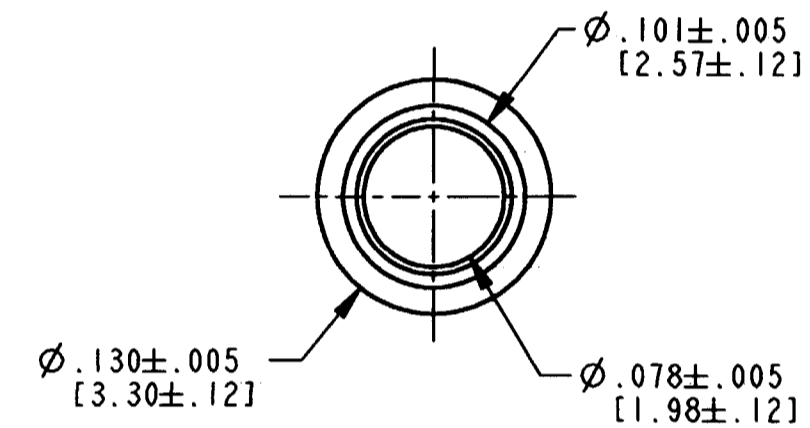
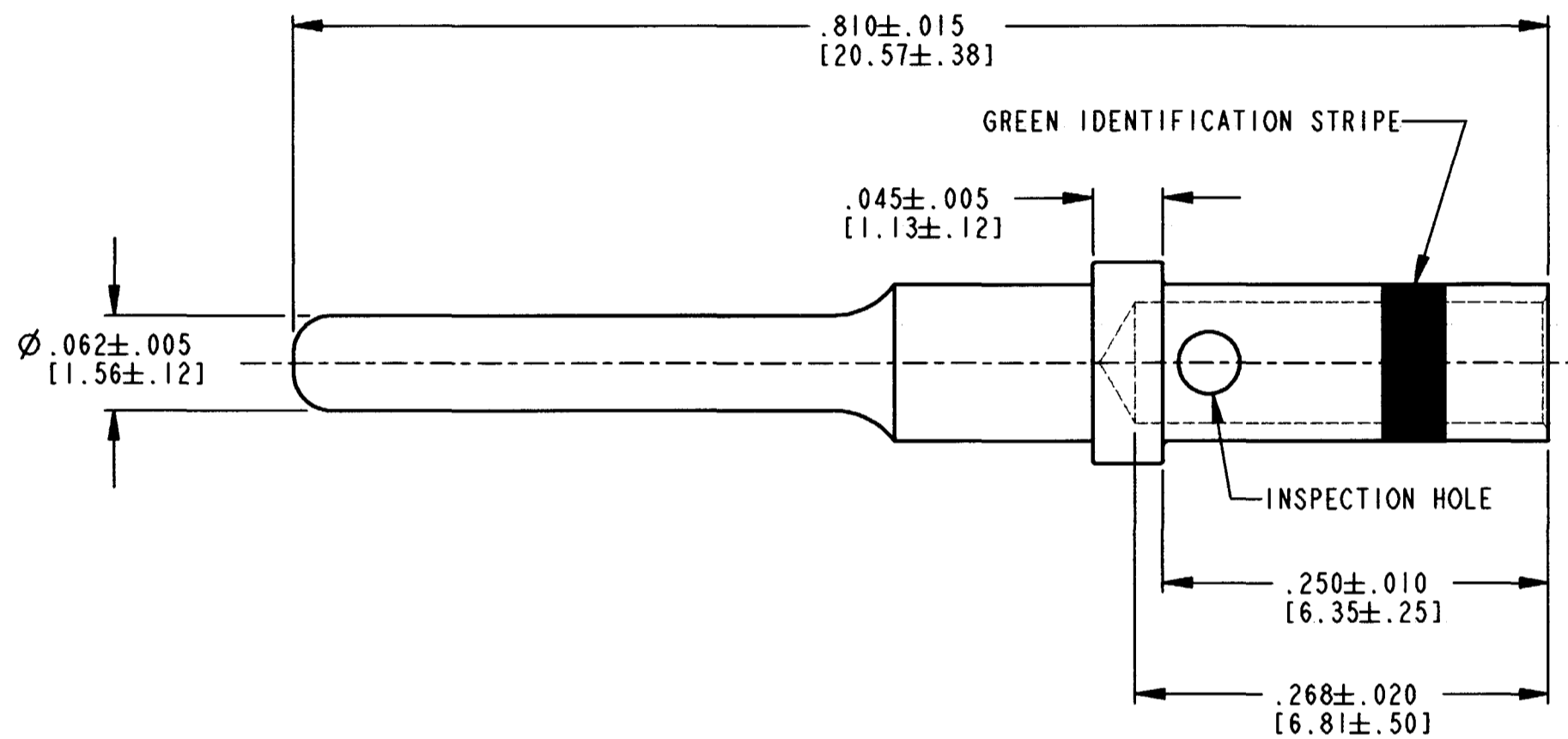


REV
D 0460-215-16**

REVISIONS			
SYM	DESCRIPTION	DATE	APPROVED
A	REVISED PER E.O. A 14776	2/6/95	RDR
B	REVISED PER E.O. P15649	6/16/98	RDR
C	REVISED PER E.O. P16308	10/04/99	RDR
D	REVISED PER E.O. P16742	6-23-00	RDR



4. FOR CONTACT PERFORMANCE AND APPLICATION INFORMATION SEE DWG. NO. 0425-015-0000.

3. WHEN ** = 31, PLATING IS GOLD OVER NICKEL
 ** = 141, PLATING IS NICKEL.

2. DIMENSIONS ARE IN INCHES [mm].

NOTES: 1. FOR CRIMPING INFORMATION SEE DRAWING 0425-205-0000.

SIGNATURE & DATE	
DR	D. SPENCER 02OCT99
CHK	<i>[Signature]</i> 6/23/01
PE	<i>[Signature]</i> 6/23/00
APPD	<i>[Signature]</i> 6/23/00
SCALE	NONE

CONTACT, PIN
 SIZE 16
 14 AWG WIRE
 [2.00mm²]
 ENVELOPE

CP	MATL. CODE
The Deutsch Company DEUTSCH I.P.D. 3850 INDUSTRIAL AVE. HEMET, CALIF. 92545	
B 0460-215-16**	
DWG SIZE	CODE 11139 SHEET 1 OF 1