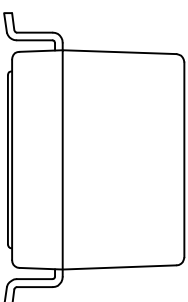
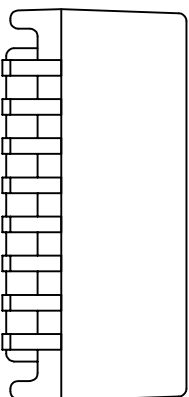
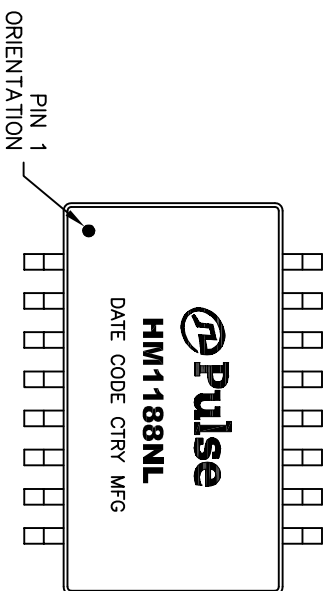


NOTES:

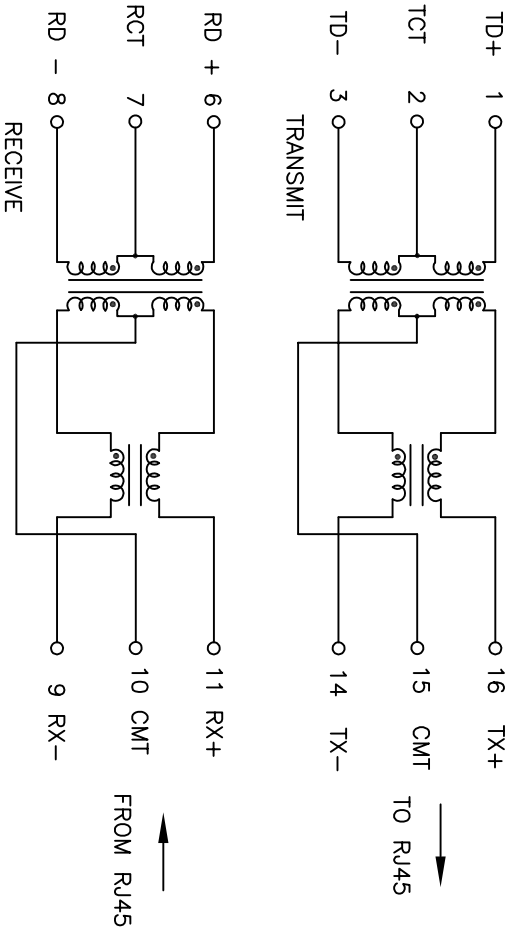
1. ROHS COMPLIANT
2. STORAGE TEMPERATURE: -50°C TO +125°C
3. COMPLIANCE TO J-STD:
 - A. J-STD-002: SOLDERABILITY AT 245°C REFLOW PROFILE
 - B. J-STD-020: LEVEL 1, NO MOISTURE SENSITIVE
 - C. J-STD-075: R7, 245°C MAXIMUM THROUGH REFLOW SOLDER
4. TO ORDER TAPE & REEL PACKAGING ADD A "T" SUFFIX TO THE PART NUMBER (i.e. HXXXXXXXXNL BECOMES HXXXXXXXXNLT).



FINAL OUTLINE

© Copyright, 2016. Pulse Electronics Corp. All rights reserved. Pulse confidential & proprietary. (09/05/16)

| PRODUCT DESCRIPTION | TLA DRAWING | PS DRAWING | SHEET | PART NO. | DATASHEET REV. |
|------------------------|-------------|---------------|--------|----------|----------------|
| MDL,SIN,100D,1:1,SM,TU | HM1188NL-10 | PS-2005.001-F | 1 OF 3 | HM1188NL | E |



LEGEND
 CHIP SIDE MEDIA SIDE
 TD \longleftrightarrow Tx
 Rd \longleftrightarrow Rx
 ALL CHANNELS IN
 PHASE INPUT TO
 OUTPUT

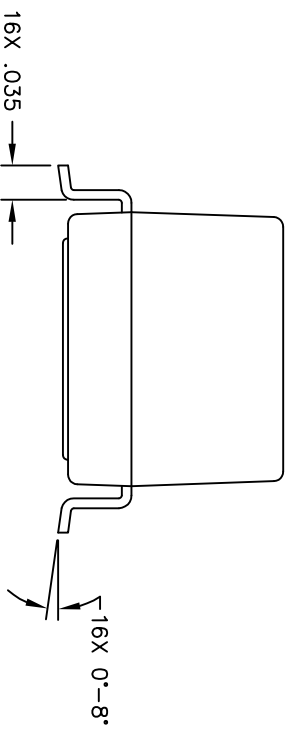
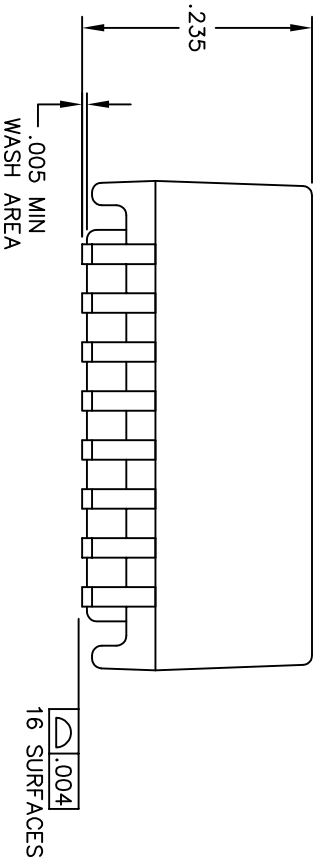
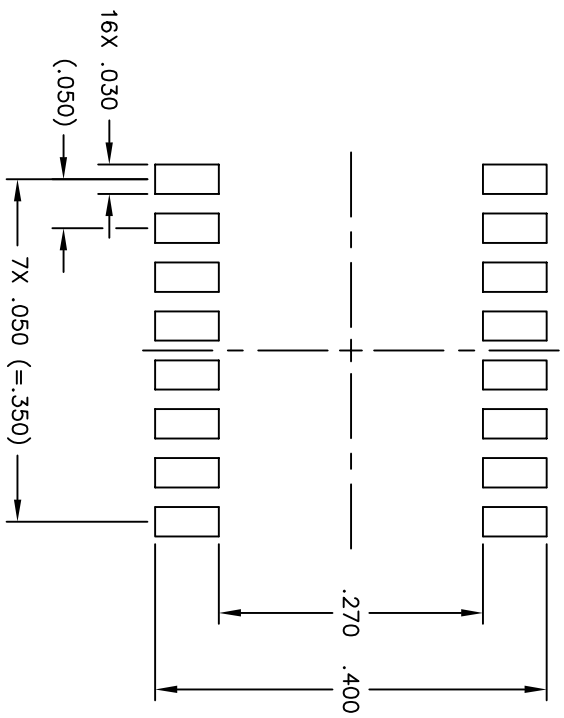
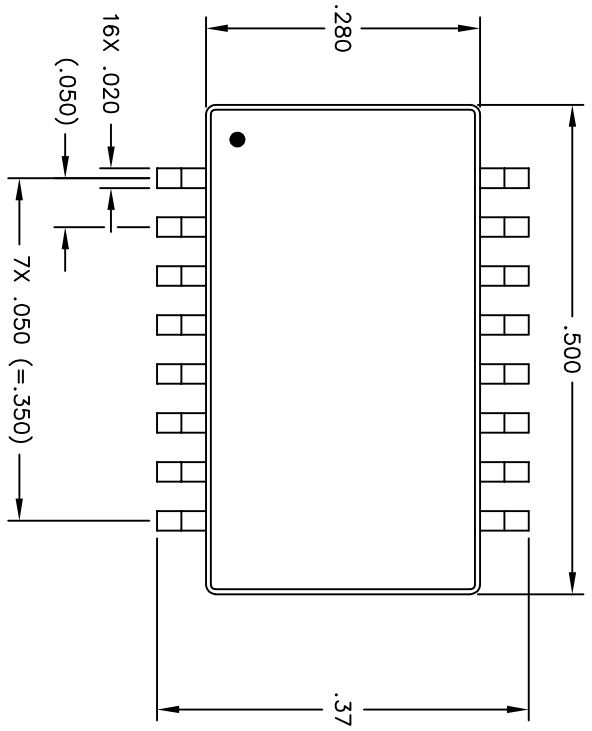
ELECTRICAL CHARACTERISTICS AT +25°C UNLESS OTHER SPECIFIED
 MEETS IEEE 802.3 SPECIFICATION

| PARAMETER | SPECIFICATIONS |
|--|---|
| OPERATING TEMP | -40°C TO +105°C |
| TURNS RATIO | 1 : 1 ±2% |
| POLARITY | PER SCHEMATIC |
| INDUCTANCE (OCL) (MEDIA SIDE, -40°C~+105°C) | 350 uH MIN (MEASURED AT 100 KHZ, 100 mVRMS) (AND WITH 8 mA DC BIAS) |
| INSERTION LOSS | 1-100 MHZ 125 MHZ -1.0 DB MAX -3.0 DB MAX |
| RETURN LOSS | 5 MHZ 30-80 MHZ |
| Z _{out} = 100 OHMS | -18 DB MIN -16 + 26LOG ₁₀ (f/30 MHZ) DB MIN |
| CROSSTALK (TX-RX) | 1 MHZ 5-100 MHZ -62 DB MIN -45 + 21LOG ₁₀ (f/30 MHZ) DB MIN |
| DIFFERENTIAL TO COMMON MODE REJECTION | 5-200 MHZ -50 + 17LOG ₁₀ (f/5 MHZ) DB MIN |
| INPUT - OUTPUT ISOLATION | 1500 VAC MINIMUM FOR 60 SECONDS |

© Copyright, 2016. Pulse Electronics Corp. All rights reserved. Pulse confidential & proprietary. (09/05/16)

| PRODUCT DESCRIPTION | TLA DRAWING | PS DRAWING | SHEET | PART NO. | DATASHEET REV. |
|------------------------|-------------|---------------|--------|----------|----------------|
| MDL,SIN,100D,1:1,SM,TU | HM1188NL-10 | PS-2005.001-F | 2 OF 3 | HM1188NL | E |

E-MAIL: PRODINFONETWORK@PULSEELECTRONICS.COM(US), ASIA@PULSEELECTRONICS.COM(Asia) PHONE: USA:858 674 8100, GERMANY:49 7032 78060, SINGAPORE:65 6287 8998, SHANGHAI:86 21 62787060, TAIWAN:886 3 4356768



DIMENSIONS ARE IN INCHES WITH THE FOLLOWING TOLERANCES:
 .XX = ±.01
 .XXX = ±.005

© Copyright, 2016, Pulse Electronics Corp. All rights reserved. Pulse confidential & proprietary. (09/05/16)

| PRODUCT DESCRIPTION | TLA DRAWING | PS DRAWING | SHEET | PART NO. | DATASHEET REV. |
|------------------------|-------------|---------------|--------|----------|----------------|
| MDL,SIN,100D,1:1,SM,TU | HM1188NL-10 | PS-2005.001-F | 3 OF 3 | HM1188NL | E |

E-MAIL: PRODUCTIONS@PULSEELECTRONICS.COM(US), ASIA@PULSEELECTRONICS.COM(Asia) | PHONE: USA:858 674 8100, GERMANY:49 7032 78060, SINGAPORE:65 6287 8998, SHANGHAI:86 21 62787060, TAIWAN:886 3 4356768