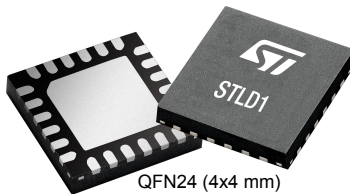


## Power-line communication dual line driver



### Features

- Dual line driver suitable for differential or single-ended configuration
- Up to 18 V p-p single-ended, 36 V p-p differential output range
- Very high linearity for EMC compliance
- Externally configurable power amplifier topology
- Up to 1.5 A<sub>RMS</sub> max. current
- Embedded overtemperature protection
- Suitable for any narrow-band power-line communication (PLC) applications
- Available in QFN24 (4x4x1 mm) package
- -40 °C to +105 °C temperature range

### Applications

- Smart metering, smart grid and Internet of Things applications
- Suitable for application designs compliant with CENELEC, FCC and ARIB regulations

### Description

The STLD1 line driver is a low-distortion, high-current dual power amplifier specifically designed for power-line communication applications, where high output current drives the AC power-line loads.

Operating on a single 8-18 V supply, the STLD1 can deliver high output current up to 1.5 A<sub>RMS</sub> and an output voltage swing-up to 18 V peak-to-peak single-ended / 36 V peak-to-peak differential.

The STLD1 features a very low output impedance (down to 0.1 Ω in the typical configuration) to ensure efficient transfer of power to very low impedance loads, typically between 5 Ω and 100 Ω.

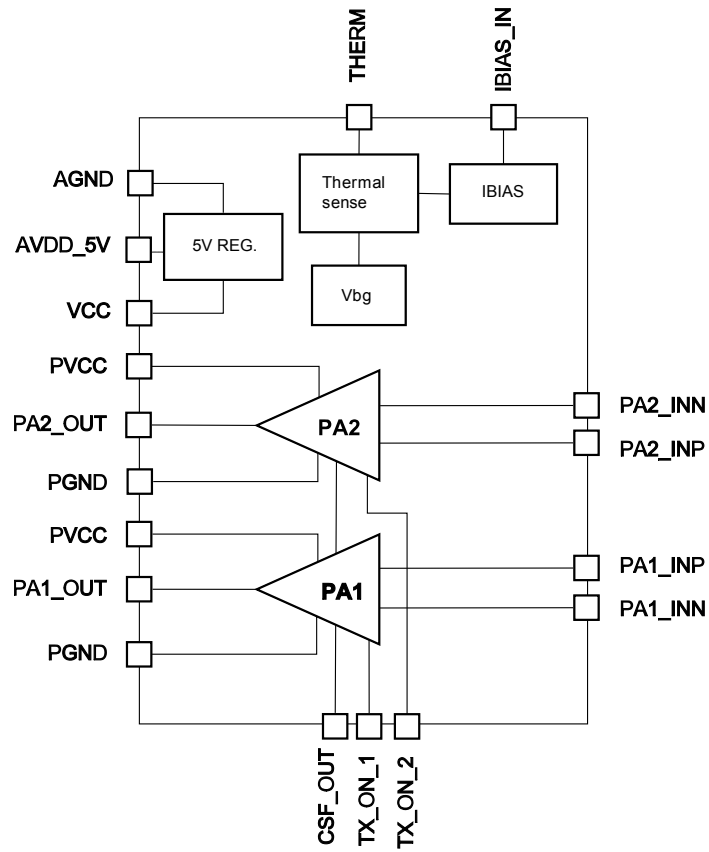
The device has very low in-band and out-of-band two-tone intermodulation distortion (IM3) as well as very high spurious-free dynamic range (SFDR) to guarantee and meet CENELEC, ARIB and FCC emission requirements.

It also features thermal shutdown as well as current sense output.

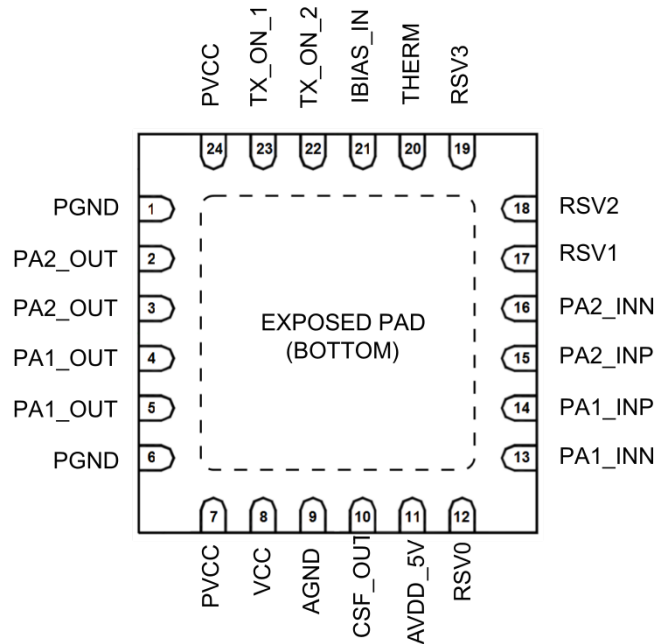
Product status link		
STLD1		
Order code	Package	Packing
STLD1	QFN24 (4x4 x1 mm)	Tray
STLD1TR		Tape and reel

# 1 Block diagram

Figure 2. STLD1 basic block diagram



## 2 Pin configuration

**Figure 3. Pin connections**

**Table 1. Pin descriptions**

Pin	Name	Description
1	PGND	Power amplifier ground
2	PA2_OUT	Power amplifier 2 output
3		
4	PA1_OUT	Power amplifier 1 output
5		
6	PGND	Power amplifier ground
7	PVCC	8-18 V power amplifier supply input
8	VCC	8-18 V analog supply input for 5 V internal regulator and analog circuitry. It has to be externally shorted to PVCC
9	AGND	Analog ground. It has to be externally shorted to PGND
10	CSF_OUT	Power amplifier current feedback output
11	AVDD_5V	5 V internal regulator output Use $\geq 10 \mu\text{F}$ bypass capacitor to AGND
12	RSV0	Reserved - connect to AGND
13	PA1_INN	Power amplifier 1 negative input
14	PA1_INP	Power amplifier 1 positive input

Pin	Name	Description
15	PA2_INP	Power amplifier 2 positive input
16	PA2_INN	Power amplifier 2 negative input
17	RSV1	Reserved - leave floating
18	RSV2	Reserved - connect to AGND
19	RSV3	Reserved - connect to AGND
20	THERM	Thermal feedback current output
21	IBIAS_IN	Reference current input
22	TX_ON_2	Enable for power amplifier 2 (active high) Force low to set PA2_OUT to Hi-Z ( approx. 30 kΩ )
23	TX_ON_1	Enable for power amplifier 1 (active high) Force low to set PA1_OUT to Hi-Z ( approx. 30 kΩ )
24	PVCC	Power amplifier supply input
25	Exposed pad	It has to be connected to an AGND ground plane on PCB

### 3 Absolute maximum ratings

**Table 2. Absolute maximum ratings**

Symbol	Parameter	Min.	Max.	Unit
PVCC, VCC	Line driver supply voltage range	PGND -0.3	20	V
AVDD_5V	5 V internal regulator voltage range	AGND -0.3	Min. (5.5, PVCC +0.3)	V
AGND - PGND	Variations between different ground pins	-0.3	+0.3	V
PA_OUT	PA output pin voltage range	PGND -0.3	Min. (20, PVCC +0.3)	V
PA_IN	PA input pin voltage range	AGND -0.3	Min. (20, VCC +0.3)	V
PA_INP - PA_INN	PA input differential voltage on the same amplifier	-11	11	V
All other pins		AGND -0.3	Min. (5.5, AVDD_5V + 0.3)	V
V(ESD)	Maximum withstanding voltage range, ANSI-ESDA-JEDEC_JS-001 human body model acceptance criteria: "normal performance"	-2	+2	kV
I(PA_OUT)	PA repetitive RMS current		1.5	Arms

**Table 3. Thermal characteristics**

Symbol	Parameter	Min.	Max.	Unit
$T_{(j)}$	Operating junction temperature		150	°C
	Peak junction temperature		170	
$T_{AMB}$	Operating ambient temperature	-40	105	
$T_{STG}$	Storage temperature	-50	150	

**Table 4. Thermal data**

Symbol	Parameter	Conditions	Typ.	Unit
$R_{thJA}$	Maximum thermal resistance junction-ambient steady-state	Mounted on a 2s2p PCB, with a dissipating surface, connected through vias, on the bottom side of the PCB	35	°C/W
$P_d$	Continuous power dissipation	$T_a = 70\text{ °C}$	2.3	W

## 4 Electrical characteristics

$T_{(AMB)} = -40$  to  $+105$  °C,  $T_{(J)} < 125$  °C unless otherwise specified. Typical values are at  $T_{(AMB)} = 25$  °C.

**Table 5. Power supply characteristics**

Symbol	Parameter	Test conditions	Min.	Typ.	Max.	Unit
V(PVCC)	Line driver supply voltage		8	15	18	V
I(PVCC)_RX	Line driver supply current. Rx mode	No-load on AVDD_5V		350	400	µA
I(VCC)_RX				560	850	
I(PVCC)_TX	Line driver supply current. Tx mode, no-load	No-load on AVDD_5V. Dual power amplifier configuration		40	54	mA
		No-load on AVDD_5V. Single power amplifier configuration		20		mA
V(PVCC)_TH	Line driver supply voltage turn-on threshold			7	7.4	V
V(PVCC)_TL	Line driver supply voltage turn-off threshold		6.1	6.5		V
V(PVCC)_HYST	Line driver supply voltage hysteresis			0.5		V
V(AVDD_5V)	5 V regulator output voltage, no-load		4.5	5.2	5.5	V

**Table 6. Line driver characteristics**

Symbol	Parameter	Test conditions	Min.	Typ.	Max.	Unit
V(PAx_OUT) BIAS	Power amplifier output. Bias voltage	Rx mode		PVCC/2		V
Z(PA_OUT) RX	Power amplifier output impedance in RX mode	TX_EN low		30		kΩ
V(PA_IN) BIAS	Power amplifier input. Bias voltage	Set through external resistor divider		PVCC/2		V
GBWP	Power amplifier. Gain-bandwidth product			149		MHz
$t_{ON}$	Power amplifier startup time	TX_EN toggled low to high <sup>(1)</sup>		1		µs
I(PA_OUT)	Power amplifier output current	Repetitive peak			1.5	A rms
V(PA_OUT) HD2	Power amplifier output. 2 <sup>nd</sup> harmonic distortion	VCC = 18 V, V(PA_OUT) = 13 Vpp (single-ended), R <sub>load</sub> = 50 Ω, f = 100 kHz V(PA_OUT) DC = PVCC/2		-73		dBc
V(PAx_OUT) HD3	Power amplifier output. 3 <sup>rd</sup> harmonic distortion			-76		dBc
V(PAx_OUT) THD	Power amplifier output. Total harmonic distortion			-70		dB
V(PAx_OUT) HD2	Power amplifier output. 2 <sup>nd</sup> harmonic distortion	VCC = 18 V, V(PA_OUT) = 13 Vpp (single-ended), R <sub>load</sub> = 50 Ω, f = 500 kHz, V(PA_OUT) DC = PVCC/2		-57		dBc
V(PAx_OUT) HD3	Power amplifier output. 3 <sup>rd</sup> harmonic distortion			-76		dBc
V(PAx_OUT)THD	Power amplifier output. Total harmonic distortion			-54		dB

Symbol	Parameter	Test conditions	Min.	Typ.	Max.	Unit
C(PAx_INP), C(PAx_INN)	Power amplifier input capacitance	PA_IN+ vs. AGND, see <sup>(1)</sup>		10		pF
		PA_IN- vs. AGND, see <sup>(1)</sup>		10		pF
PSRR	Power supply rejection ratio	50 Hz		-100		dB
		1 kHz		-88		dB
CSF_RATIO	Ratio between PA_OUT and CSF output current			106		A/A
IBIAS_IN	Reference current input	Typical conditions		16 or 32		μA
IM3 in-band	In band 3 <sup>rd</sup> order intermodulation distortion	VCC = 15 V, Vout = 24 V p-p (differential), Z <sub>load</sub> = 50 Ω, f1 = 50 kHz, f2 = 80 kHz <sup>(2)</sup>		-72		dB
		VCC = 15 V, Vout = 24 V p-p (differential), Z <sub>load</sub> = 50 Ω, f1 = 200 kHz, f2 = 300 kHz, see <sup>(2)</sup>		-71		dB
		VCC = 15 V, Vout = 24 V p-p (differential), Z <sub>load</sub> = 50 Ω, f1 = 450 kHz, f2 = 500 kHz, see <sup>(2)</sup>		-67		dB
		VCC = 15 V, Vout = 12 V p-p (single-ended), Z <sub>load</sub> = 50 Ω, f1 = 50 kHz, f2 = 80 kHz, see <sup>(2)</sup>		-74		dB
		VCC = 15 V, Vout = 12 V p-p (single-ended), Z <sub>load</sub> = 50 Ω, f1 = 200 kHz, f2 = 300 kHz, see <sup>(2)</sup>		-72		dB
		VCC = 15 V, Vout = 12 V p-p (single-ended), Z <sub>load</sub> = 50 Ω, f1 = 450 kHz, f2 = 500 kHz, see <sup>(2)</sup>		-68		dB
IM3 out-of-band	Out-of-band third-order intermodulation distortion	VCC = 15 V, Vout = 24 V p-p (differential), Z <sub>load</sub> = 50 Ω, f1 = 50 kHz, f2 = 80 kHz <sup>(2)</sup>		-71		dB
		VCC = 15 V, Vout = 24 V p-p (differential), Z <sub>load</sub> = 50 Ω, f1 = 200 kHz, f2 = 300 kHz, see <sup>(2)</sup>		-68		dB
		VCC = 15 V, Vout = 24 V p-p (differential), Z <sub>load</sub> = 50 Ω, f1 = 450 kHz, f2 = 500 kHz, see <sup>(2)</sup>		-65		dB
		VCC = 15 V, Vout = 12 V p-p (single-ended), Z <sub>load</sub> = 50 Ω, f1 = 50 kHz, f2 = 80 kHz, see <sup>(2)</sup>		-75		dB
		VCC = 15 V, Vout = 12 V p-p (single-ended), Z <sub>load</sub> = 50 Ω, f1 = 200 kHz, f2 = 300 kHz, see <sup>(2)</sup>		-73		dB
		VCC = 15 V, Vout = 12 V p-p (single-ended), Z <sub>load</sub> = 50 Ω, f1 = 450 kHz, f2 = 500 kHz, see <sup>(2)</sup>		-68		dB

Symbol	Parameter	Test conditions	Min.	Typ.	Max.	Unit
SFDR	Spurious-free dynamic range	VCC = 15 V, Vout = 24 V p-p (differential), Z <sub>load</sub> = 50 Ω, f <sub>1</sub> = 50 kHz, f <sub>2</sub> = 80 kHz, see <sup>(2)</sup>		71		dBc
		VCC = 15 V, Vout = 24 V p-p (differential), Z <sub>load</sub> = 50 Ω, f <sub>1</sub> = 200 kHz, f <sub>2</sub> = 300 kHz, see <sup>(2)</sup>		68		dBc
		VCC = 15 V, Vout = 24 V p-p (differential), Z <sub>load</sub> = 50 Ω, f <sub>1</sub> = 450 kHz, f <sub>2</sub> = 500 kHz, see <sup>(2)</sup>		65		dBc
		VCC = 15 V, Vout = 12 V p-p (single-ended), Z <sub>load</sub> = 50 Ω, f <sub>1</sub> = 50 kHz, f <sub>2</sub> = 80 kHz, see <sup>(2)</sup>		69		dBc
		VCC = 15 V, Vout = 12 V p-p (single-ended), Z <sub>load</sub> = 50 Ω, f <sub>1</sub> = 200 kHz, f <sub>2</sub> = 300 kHz, see <sup>(2)</sup>		68		dBc
		VCC = 15 V, Vout = 12 V p-p (single-ended), Z <sub>load</sub> = 50 Ω, f <sub>1</sub> = 450 kHz, f <sub>2</sub> = 500 kHz, see <sup>(2)</sup>		67		dBc
V(TX_ON_x) IL	TX_ON_x pin input low level voltage		AGND		0.95	V
V(TX_ON_x) IH	TX_ON_x pin input high level voltage		1.85		AVDD_5V	V
V(TX_ON_x) HYST	TX_ON_x pin input voltage hysteresis			500		mV
T1	Thermal sensor threshold see <sup>(2)</sup>			70		°C
T2	Thermal sensor threshold see <sup>(2)</sup>			100		°C
T3	Thermal sensor threshold see <sup>(2)</sup>			125		°C
T4	Thermal sensor threshold see <sup>(2)</sup>			170		°C
T_HYST	Thermal sensor hysteresis see <sup>(2)</sup>			10		°C

1. Not tested in production, guaranteed by design.
2. Characterization data, not tested in production.

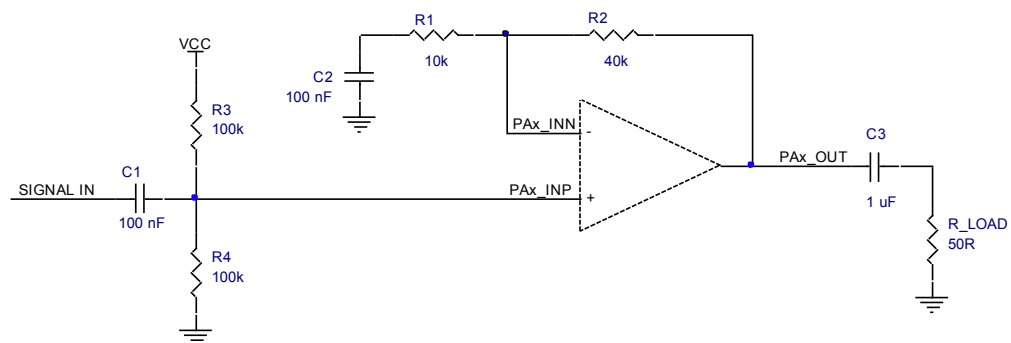
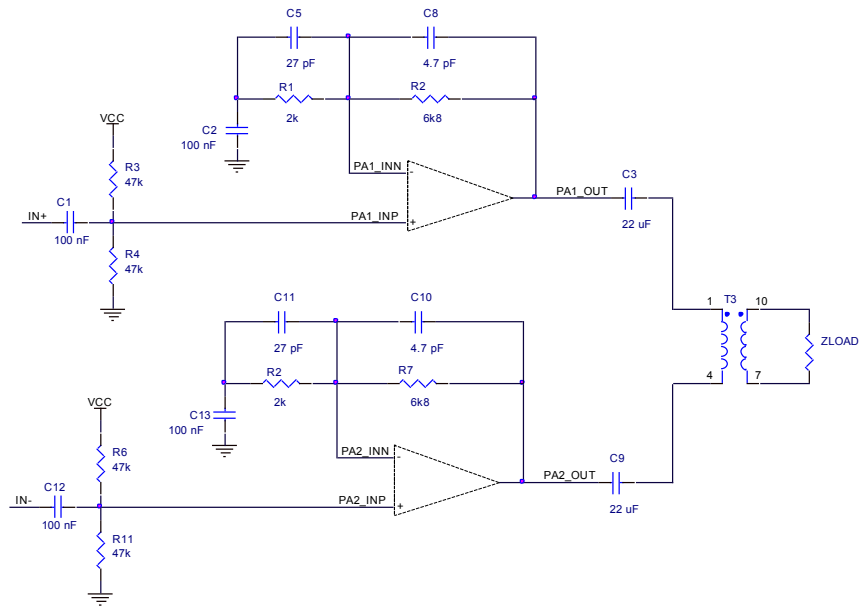
**Figure 4. Line driver test circuit (single-ended configuration)**




Figure 5. Line driver test circuit (differential)



## 5 Device characteristics

### 5.1 Thermal protection

Any overtemperature event forces the line driver to self-disable the power amplifiers, thus preventing the STLD1 from damage. The thermal feedback is provided on THERM pin by a current that is N times the IBIAS\_IN input current, according to the relationship described in the following table.

**Table 7. Thermal current level vs. junction temperature**

I(THERMAL)	Junction temperature level
$0 \times I(\text{IBIAS\_IN})$	$T_j < T_1$
$1 \times I(\text{IBIAS\_IN})$	$T_1 < T_j < T_2$
$2 \times I(\text{IBIAS\_IN})$	$T_2 < T_j < T_3$
$3 \times I(\text{IBIAS\_IN})$	$T_3 < T_j < T_4$
$4 \times I(\text{IBIAS\_IN})$	$T_j > T_4$

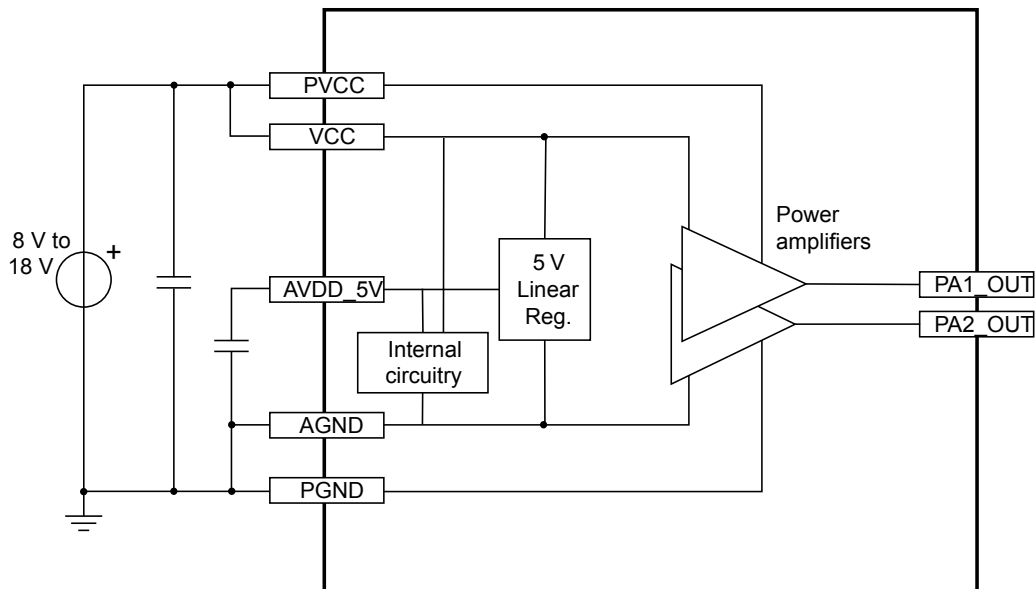
### 5.2 Current feedback

Current sense feedback is provided by CSF\_OUT current output, proportional to the LD output current. The CSF\_OUT current is converted into voltage by a resistor and compared with the current limit threshold set at system level.

### 5.3 Power management

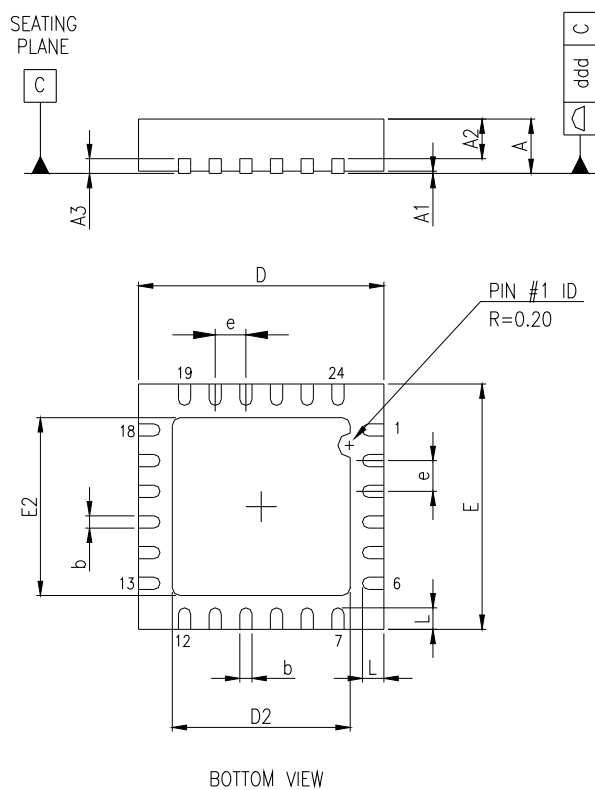
The STLD1 operates from a single 8-18 V external supply. It directly supplies the power amplifiers and the internal 5 V linear regulator for the analog and control circuitry. The block diagram for the power management is shown in the figure below.

**Figure 6. Power supply scheme**



## 6.1 QFN24L (4x4x1 mm) package information

**Figure 7. QFN24L (4x4 mm) package outline**



**Table 8. QFN24L (4x4 mm) package mechanical data**

Dim.	mm		
	Min.	Typ.	Max.
A	0.80	0.90	1.00
A1		0.02	0.05
A2		0.65	1.00
A3		0.20	
b	0.18	0.25	0.30
D	3.85	4.00	4.15
D2	2.50	2.60	2.70
E	3.85	4.00	4.15
E2	2.50	2.60	2.70
e		0.50	
L	0.35	0.40	0.45
ddd			0.08

## Revision history

**Table 9. Document revision history**

Date	Revision	Changes
25-Oct-2017	1	Initial release.
19-Jun-2018	2	Updated <a href="#">Section • Device summary</a>

**IMPORTANT NOTICE – PLEASE READ CAREFULLY**

STMicroelectronics NV and its subsidiaries (“ST”) reserve the right to make changes, corrections, enhancements, modifications, and improvements to ST products and/or to this document at any time without notice. Purchasers should obtain the latest relevant information on ST products before placing orders. ST products are sold pursuant to ST’s terms and conditions of sale in place at the time of order acknowledgement.

Purchasers are solely responsible for the choice, selection, and use of ST products and ST assumes no liability for application assistance or the design of Purchasers’ products.

No license, express or implied, to any intellectual property right is granted by ST herein.

Resale of ST products with provisions different from the information set forth herein shall void any warranty granted by ST for such product.

ST and the ST logo are trademarks of ST. All other product or service names are the property of their respective owners.

Information in this document supersedes and replaces information previously supplied in any prior versions of this document.

© 2018 STMicroelectronics – All rights reserved

# Mouser Electronics

Authorized Distributor

Click to View Pricing, Inventory, Delivery & Lifecycle Information:

[STMicroelectronics:](#)

[STLD1](#) [STLD1TR](#)