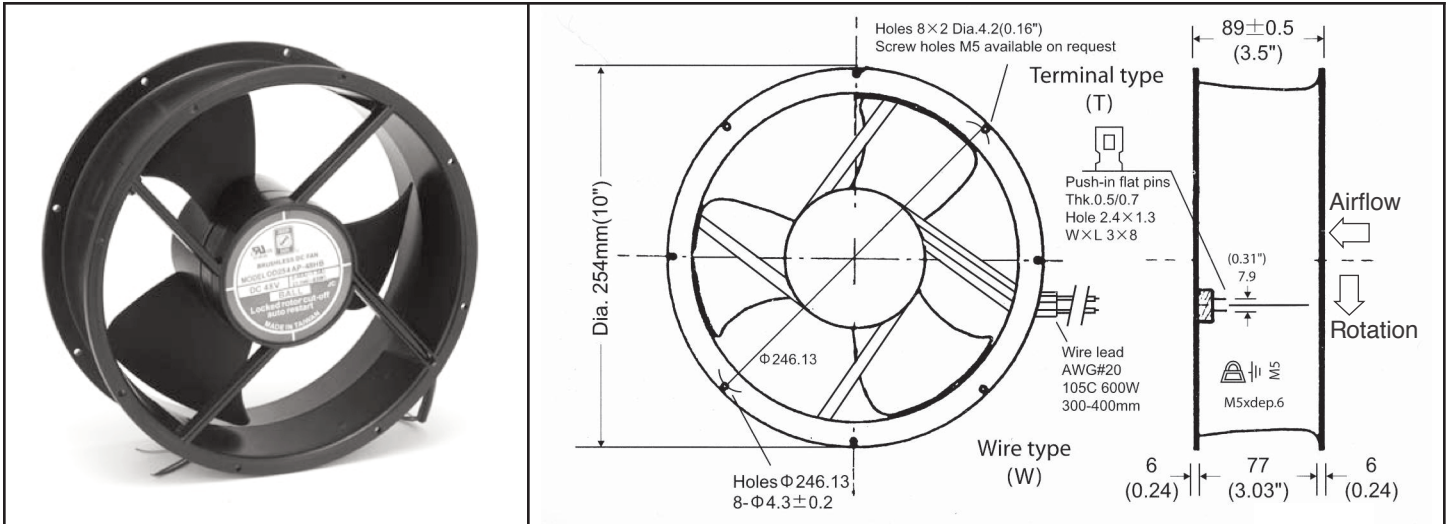


# OD254 Series



DC Fan - 12, 24, 48V  
254x89mm (10.0"x 3.50")



|                       |  |   |  |
|-----------------------|--|---|--|
| Frame                 | Diecast Aluminum   | <b>Available Options:</b><br>Tachometer<br>Alarm<br>Thermistor Speed Control<br>PWM Speed Control<br><br><b>Life Expectancy (L10)</b><br>Ball - 40,000 hrs (60C)<br><br><b>Operating Temperature</b><br>Ball: -20C ~ +75C<br><br>Weight: ~4.0 lbs<br><br>m0 |  |
| Impeller              | PBT, UL94V-0 plastic   |   |  |
| Connection            | 2x Lead wires 20AWG or terminals                             |   |  |
| Motor                 | Brushless DC, auto restart, impedance and polarity protected |   |  |
| Bearing System        | Ball bearing   |   |  |
| Insulation Resistance | 10M ohm between leadwire and frame (500VDC)                  |   |  |
| Dielectric Strength   | 1 second at 500 VAC, max leakage < 500 MicroAmp              |   |  |
| Storage Temperature   | -40C ~ +90C  |   |  |

| Model Number  | Speed (RPM) | Airflow (CFM) | Noise (dB) | Volts DC | Voltage Range (VDC) | Input Power (Watt) | Amps | Max. Static Pressure ("H <sub>2</sub> O) |
|---------------|-------------|---------------|------------|----------|---------------------|--------------------|------|--|
| OD254AP-12H * | 2400        | 830           | 60         | 12       | 9~13                | 65                 | 5.4  | 0.78                                     |
| OD254AP-12M * | 2000        | 690           | 47         | 12       | 9~13                | 23                 | 4.2  | 0.58                                     |
| OD254AP-12L * | 1650        | 550           | 39         | 12       | 8~14                | 13                 | 1.9  | 0.37                                     |
| OD254AP-24H * | 2500        | 850           | 64         | 24       | 16~27               | 64                 | 2.65 | 0.83                                     |
| OD254AP-24M * | 2000        | 690           | 47         | 24       | 16~27               | 24                 | 2.1  | 0.58                                     |
| OD254AP-24L * | 1650        | 550           | 39         | 24       | 16~27               | 16.7               | 0.97 | 0.37                                     |
| OD254AP-48H * | 2500        | 850           | 64         | 48       | 24~53               | 62                 | 1.3  | 0.83                                     |
| OD254AP-48M * | 2000        | 690           | 47         | 48       | 24~53               | 24                 | 1.03 | 0.58                                     |
| OD254AP-48L * | 1650        | 550           | 39         | 48       | 24~56               | 15                 | 0.48 | 0.37                                     |

\* Indicate "B" for wire leads or "TB" for Terminals

# Mouser Electronics

Authorized Distributor

Click to View Pricing, Inventory, Delivery & Lifecycle Information:

## Orion Fans:

[OD254AP-24HB](#) [OD254AP-12HB](#) [OD254AP-24MB](#) [OD254AP-48MB](#) [OD254AP-24LB](#) [OD254AP-24HTB](#)  
[OD254AP-24MTB](#) [OD254AP-12LB](#) [OD254AP-48HB](#) [OD254AP-12MB](#) [OD254AP-12HTB](#) [OD254AP-12LTB](#)  
[OD254AP-12MTB](#) [OD254AP-24LTB](#) [OD254AP-48HTB](#) [OD254AP-48LB](#) [OD254AP-48LTB](#) [OD254AP-48MTB](#)  
[OD254AP-24LB01A](#) [OD254AP-12LB01A](#) [OD254AP-12HB10A](#) [OD254AP-24HB10A](#) [OD254AP-48HB10A](#)