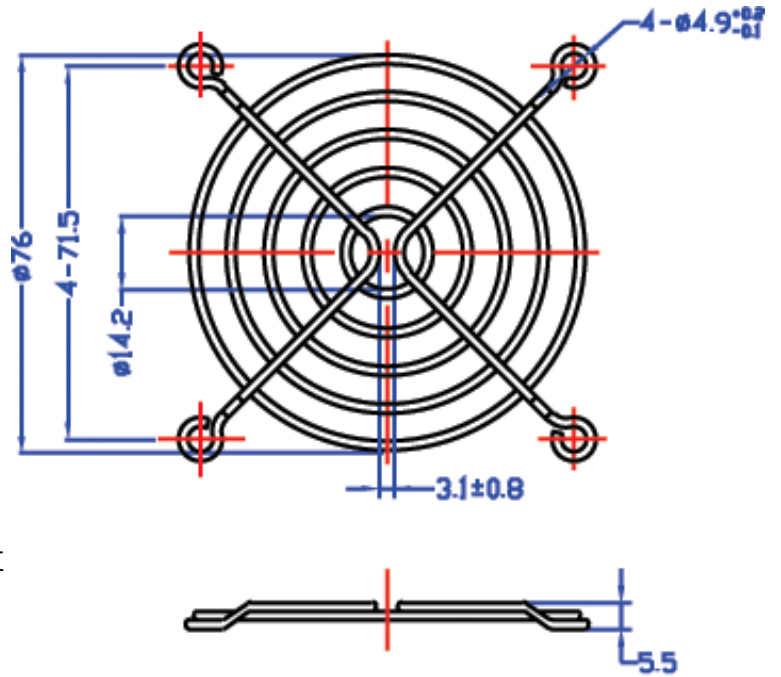
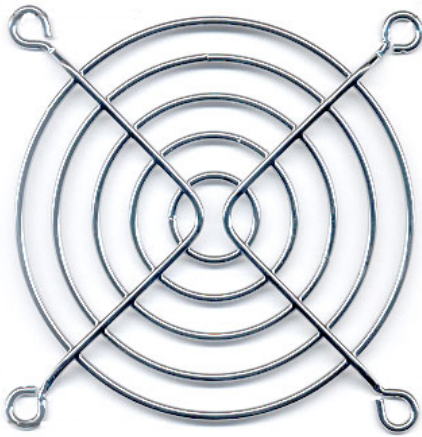


Part Nos. G80-18, G80-18B



Fan Guard for 80mm Fan



NOTES:

1. MATERIAL: C1008 BRIGHT BASIC WIRE
2. FINISH: BRIGHT NICKEL CHROME OR BLACK
3. RINGS: 1.8MM DIA / RIBS: 1.8MM DIA
4. WELDS TO WITHSTAND 88LBS PULL FORCE
5. SPACING BETWEEN RINGS: EQUIDISTANT
6. GENERAL TOLERANCE UNLESS NOTED +/-0.5MM
7. PART MEETS 6.35MM PLUG GAUGE TEST
8. UNIT: MM

Part Number	Description
G80-18	80mm fan guard, nickel chrome
G80-18B	80mm fan guard, black finish
G80-18/PK	10-Pack G80-18, Boxed
G80-18B/PK	10-Pack G80-18B, Boxed

Mouser Electronics

Authorized Distributor

Click to View Pricing, Inventory, Delivery & Lifecycle Information:

[Orion Fans:](#)

[G80-18](#) [G80-18B](#)