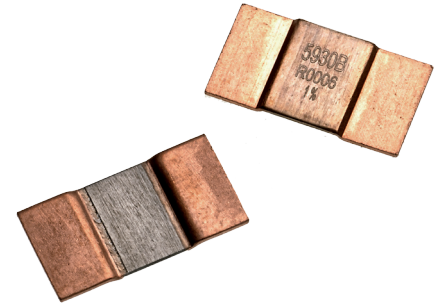


Low Resistance Metal Alloy Power Resistors

LRMAP5930

- Resistance range 0.1mΩ to 2mΩ
- Excellent long term stability
- High power rating up to 15W
- Current sensing for power electronics
- AEC-Q200 qualified



All parts are Pb-free and comply with EU Directive 2011/65/EU amended by (EU) 2015/863 (RoHS3)

Electrical Data

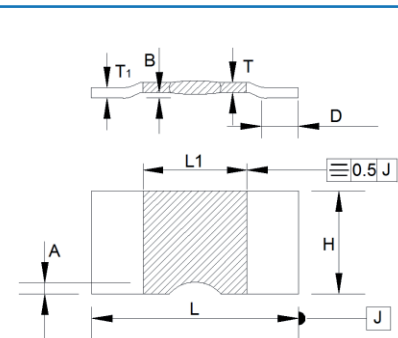
		LRMAP5930							
Alloy type		A		B			D	C	
Resistance value	mΩ	0.1	0.2	0.3	0.5	0.6	0.5	1	2
Power rating, P _{r140°C} ¹	W	10	10	7	6	5	7	6	4
Power rating, P _{rs70°C} ²	W	15	15	10	8	8	10	9	7
Overload rating (5s) ¹	W	50	50	35	30	25	35	30	20
Continuous pulse energy	J	15	19	13	7.5	6	19	13	6.5
Internal thermal impedance, R _{thi}	°C/W	3	3	4	6	6	4	7	13
Resistance tolerance	%	1							
TCR (20 to 60°C)	ppm/°C	±350	±100		±75			±50	
Thermal EMF	μV/°C	<2							
Inductance	nH	<3							
Ambient temperature	°C	-55 to 170							

Note 1: Mounted on FR4 board. See Thermal Data and Mounting section for details.

Note 2: Mounted on thermal substrate. See Thermal Data and Mounting section for details.

Physical Data

Type	Dimensions in mm and weight in mg									
	L ±0.3	L1 +0.2 -0.3	H +0.3 -0.2	A max	D +0.1 -1.0	B ±0.1	T1 nom	T nom	Wt. nom	
LRMAP5930A-R0001FT	15.0	5.0	7.75	1.0	4.2	0.5	1.42	1.42	1460	
LRMAP5930B-R0002FT									1440	
LRMAP5930B-R0003FT									960	
LRMAP5930B-R0005FT									570	
LRMAP5930B-R0006FT									470	
LRMAP5930D-R0005FT									1250	
LRMAP5930C-R001FT									880	
LRMAP5930C-R002FT									610	



Marking

The component is laser marked with “5930”, alloy type, ohmic value and tolerance.

Solvent Resistance

The component is resistant to all normal industrial cleaning solvents suitable for printed circuits.

Construction

The component is formed from a continuous band of E-beam welded (EBW) precision resistive strip. Various alloys are used based on the resistance value.

General Note

TT Electronics reserves the right to make changes in product specification without notice or liability.

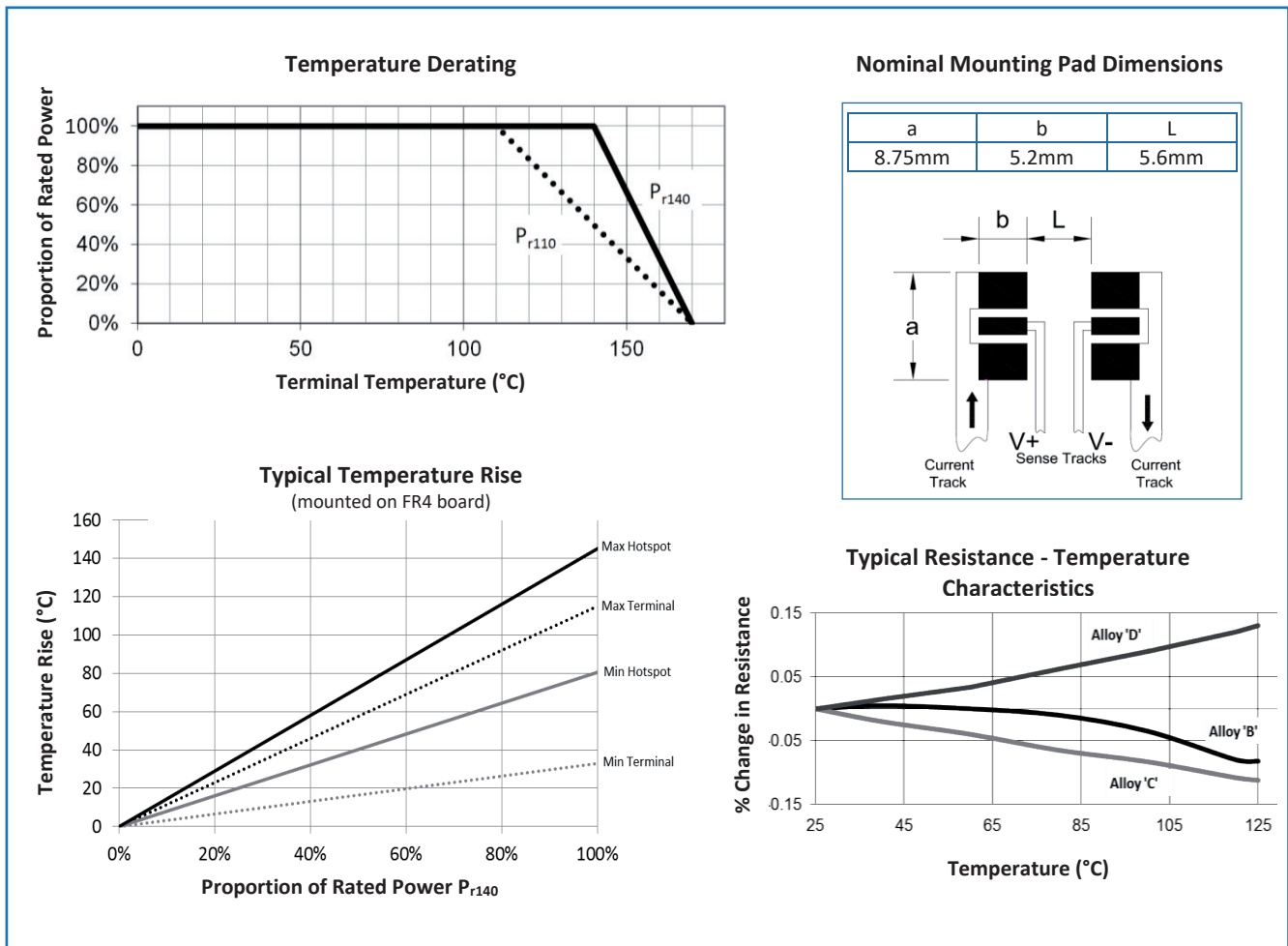
All information is subject to TT Electronics' own data and is considered accurate at time of going to print.

LRMAP5930

Performance Data

Test	Method	±ΔR%	
		Typical	Maximum
Load Life Stability	2000 hours, rated power, T _{terminal} = 110°C	0.3	0.5
	2000 hours, rated power, T _{terminal} = 140°C	0.7	1.0
Short Term Overload	5 seconds, 5 x rated power	0.3	1.0
High Temperature Exposure	1000 hours, 125°C	0.4	1.0
Mechanical Shock	MIL-STD-202 Method 213	0.1	0.2
Bias Humidity	1000 hours, 85°C, 85%RH	0.2	0.5
Moisture Resistance	MIL-STD-202 method 106	0.1	0.5
Temperature Cycle	1000 cycles, -55 to +125°C, 15 minute dwell	0.1	0.5
Resistance to Solder Heat	MIL-STD-202 Method 210	0.2	0.5
Vibration	MIL-STD-202 Method 204	0.1	0.2
Low Temperature Storage	1000 hours, -55°C	0.1	0.2
Resistance to Solvents	MIL-STD-202 Method 215	no damage	
Solderability	J-STD-002	>95% coverage	

Thermal Data & Mounting

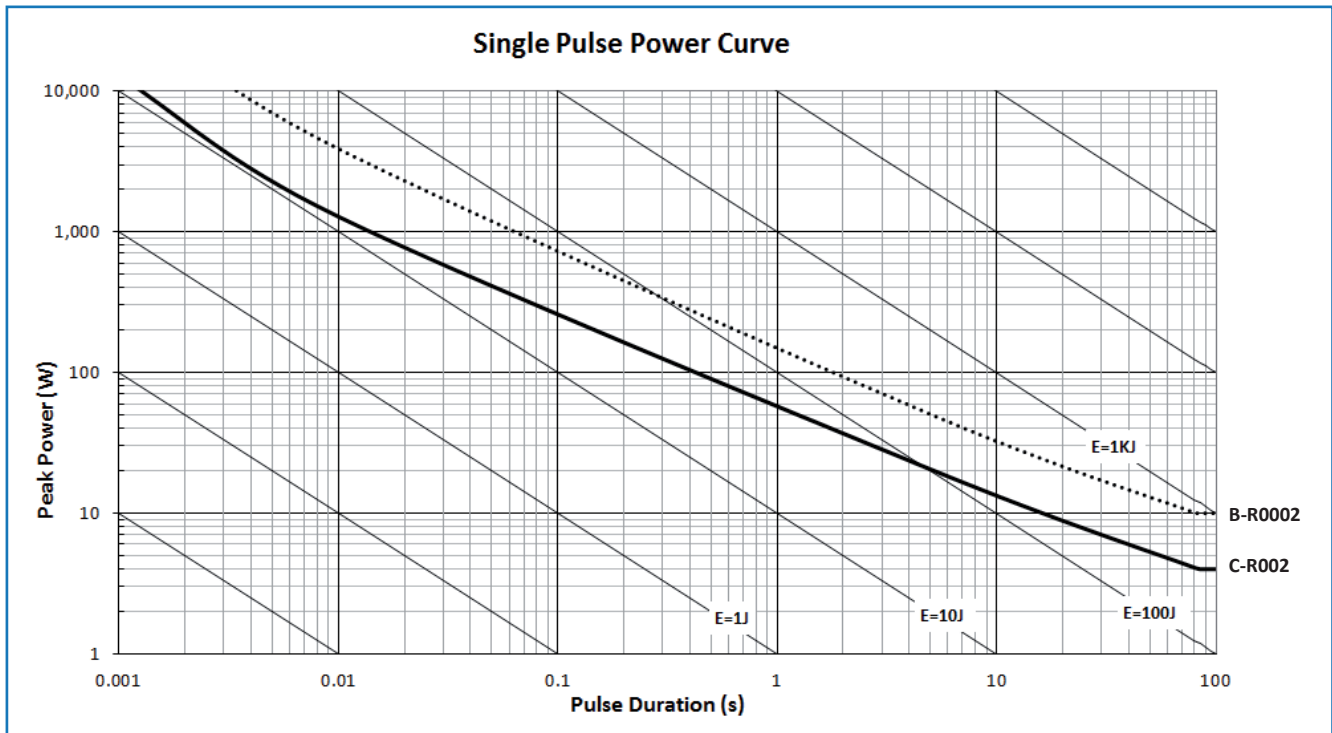


General Note

TT Electronics reserves the right to make changes in product specification without notice or liability. All information is subject to TT Electronics' own data and is considered accurate at time of going to print.

LRMAP5930

Pulse and Overload Performance



Measurement

Resistance testing for the LRMAP5930 is performed on the underside of the copper contacts using the following method.

Measurement current	2mΩ: 1A 0.2 to 1mΩ: 3A 0.1mΩ: 5A	<p>4-terminal ohm meter</p> <p>Resistor contact probes</p>
Probe spacing along component length	13.2mm	
Probe spacing across component width	3.65mm	
Probe tip diameter	≤0.5mm	

LRMAP5930 series resistors are suitable for IR reflow soldering. The recommended reflow profile for Pb-free soldering, for example using SAC387 alloy (Sn 95.5%, Ag 3.8%, Cu 0.7%), is as follows:

- Pre-heat:** 30s to 45s at 180°C
- Soldering:** 20s to 40s at 210°C
- Peak:** 260°C

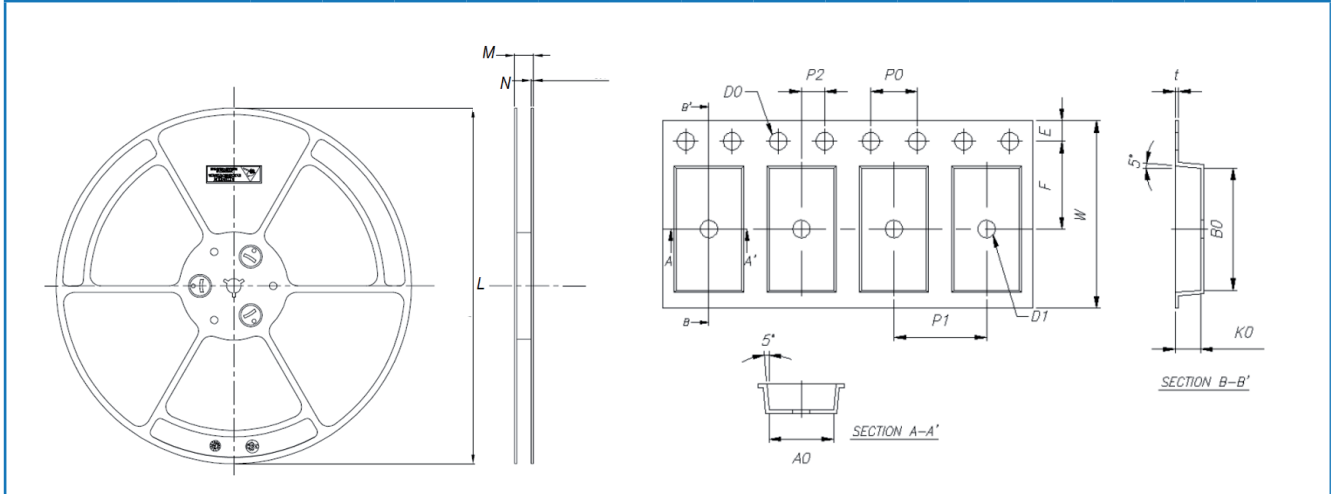
General Note

TT Electronics reserves the right to make changes in product specification without notice or liability. All information is subject to TT Electronics' own data and is considered accurate at time of going to print.

LRMAP5930

Packaging

LRMAP5930 resistors are packed in 24mm tape, 2000 pieces per reel.

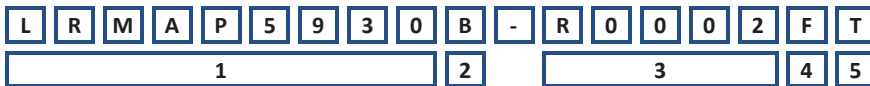


All dimensions in mm

LRMAP5930 Type	L	M	N	W	E	F	D0	D1	P0	P1	P2	P0x10	t	A0	B0	K0
	±1.00	±1.00	+0.30/ -0.10	±0.30	±0.10	+0.10	+0.10/ -0.0	+0.10/ -0.0	±0.10	±0.10	±0.10	±0.20	±0.05	+0.15/ -0.10	±0.12	±0.10
All remaining values	330	29	2.2	24	1.75	11.5	1.50	1.50	4.00	12.0	2.00	40.00	0.30	8.2	15.5	1.40
(B)-R0002, (D)-R0005																2.25

Ordering Procedure

Example: LRMAP5930B-R0002FT (0.2 milliohms ±1%, Pb-free)



1 Type	2 Alloy	3 Value	4 Tolerance	5 Packing
LRMAP5930	A	4 / 5 characters	F = ±1%	T = Plastic tape
	B	R = ohms		2000/reel
	C			
	D			

General Note

TT Electronics reserves the right to make changes in product specification without notice or liability. All information is subject to TT Electronics' own data and is considered accurate at time of going to print.

Mouser Electronics

Authorized Distributor

Click to View Pricing, Inventory, Delivery & Lifecycle Information:

[TT Electronics:](#)

[LRMAP5930C-R001FT](#) [LRMAP5930D-R0005FT](#) [LRMAP5930C-R002FT](#) [LRMAP5930B-R0006FT](#) [LRMAP5930B-R0002FT](#) [LRMAP5930B-R0003FT](#) [LRMAP5930B-R0005FT](#)