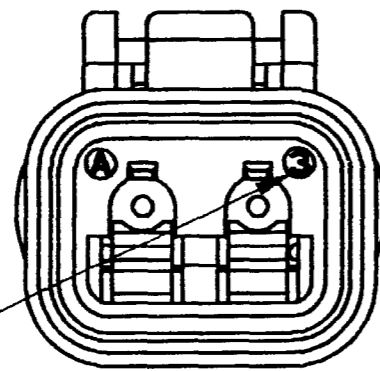
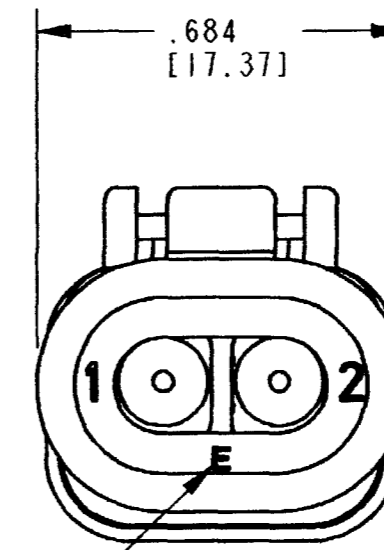
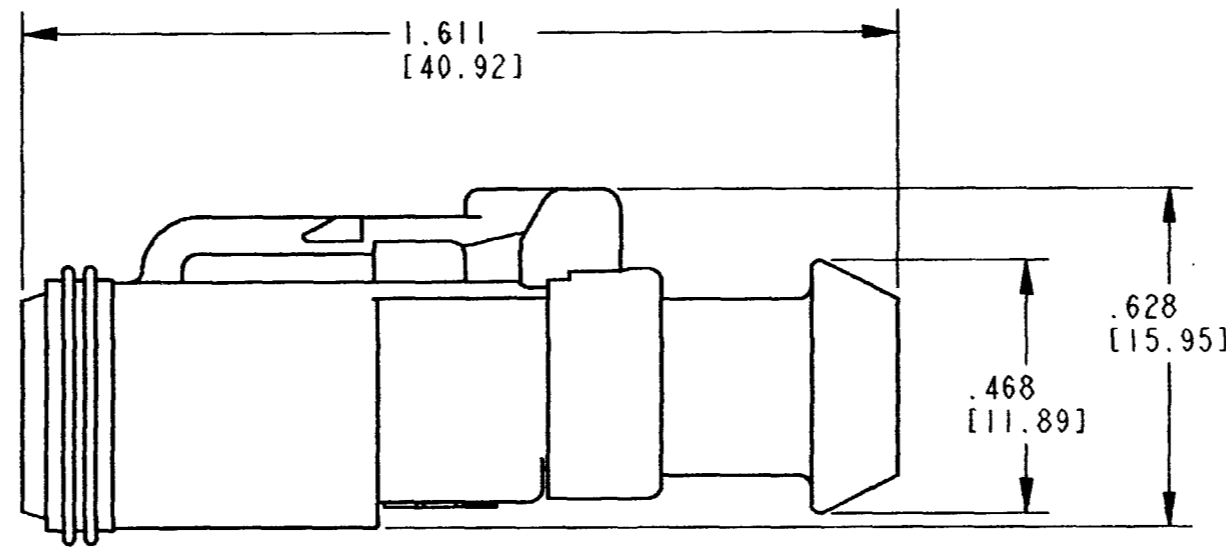


3D VIEW



DATE CODE: YEAR TO BE REPRESENTED BY LAST NUMERICAL DIGIT. EX: 3 = 2003
 MONTH USES SEQUENTIAL ALPHA CHARACTERS.
 EX: A = JANUARY.



E- SYMBOL DESIGNATES REDUCED WIRE SEAL

REV
A DT06-2S-CE13

REVISIONS			
SYM	DESCRIPTION	DATE	APPROVED
NC	NEW RELEASE PER E.O. P18612	3/31/05	R.D.R.
A	REVISED PER E.O. P19649	10-12-07	ADR

- 5. SHELL MATERIAL: PLASTIC; COLOR: BLACK
SEAL MATERIAL: RUBBER.
- 4. THIS PLUG MATES WITH THE DT04-2P-**** RECEPTACLE (**** = ALL MODIFICATIONS).
CONSULT FACTORY FOR MODIFICATIONS.

3 FOR CONTACTS AND WIRE PERFORMANCE AND APPLICATION CHARACTERISTICS
 SEE ENVELOPE DRAWING 0425-015-0000 AND 0425-017-0000.

2. DIMENSIONS ARE ±.025 [1.64] UNLESS OTHERWISE SPECIFIED.

1. DIMENSIONS ARE IN INCHES [MILLIMETERS].

NOTES:

CONTACT SIZE	MIN. INSUL. O.D.	MAX. INSUL. O.D.	WIRE RANGE 3 [mm ²] REF ONLY
16	.053 [1.35]	.120 [3.05]	14-20 AWG [2.0-0.5]

SIGNATURE & DATE	
DR	X. SANCHEZ 17 JUN 04
CHK	[Signature] 10/12/07
PE	R. MORGAN 01/20/07
APPD	[Signature] 10/10/07
SCALE	NONE
WT	

2 WAY PLUG WITH REDUCED WIRE SEAL AND WELD CAP -CE13 MOD. D.T. SERIES

ENVELOPE

EP	MATL CODE
3850 INDUSTRIAL AVE. HEMET, CA 92545	
DEUTSCH INDUSTRIAL	
B	DT06-2S-CE13
DWG SIZE	CODE 11139 SHEET 1 OF 1