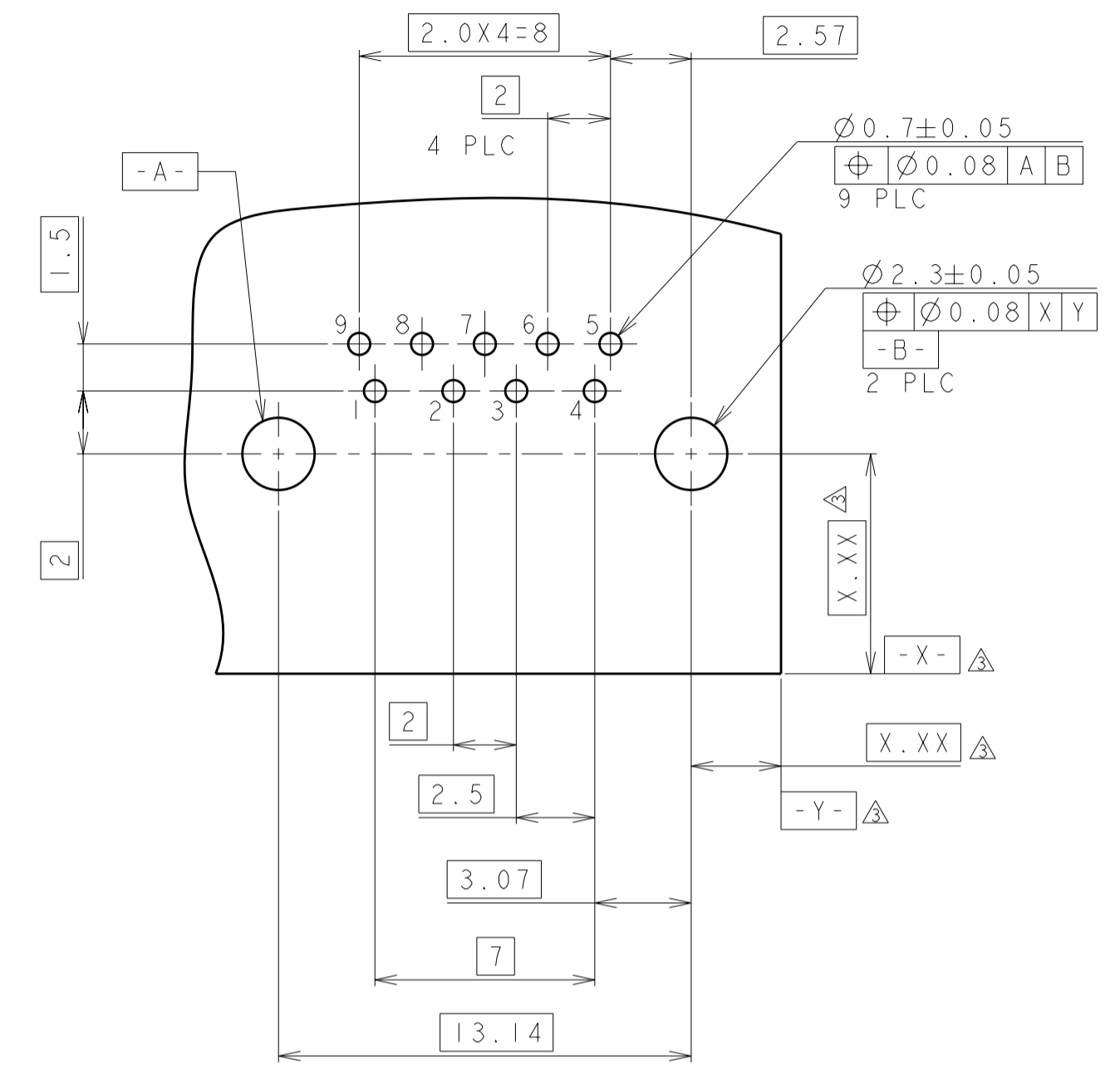
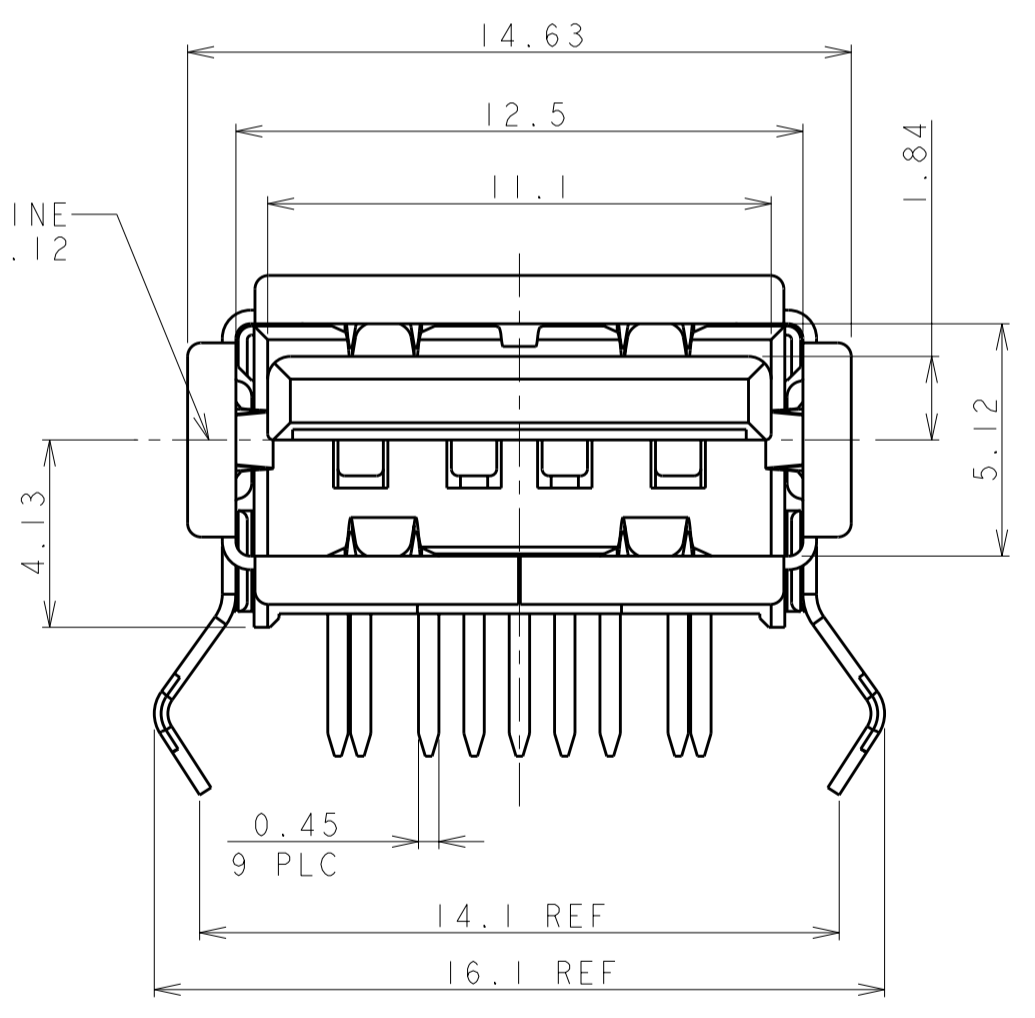
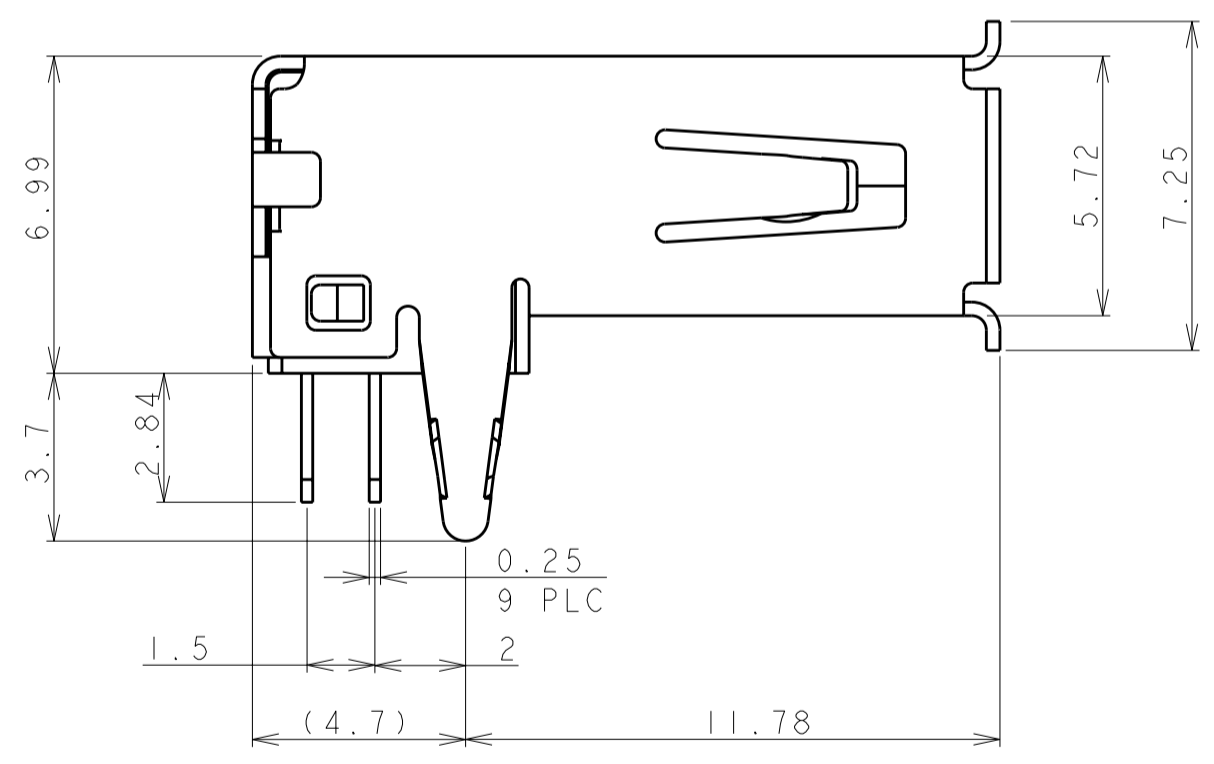
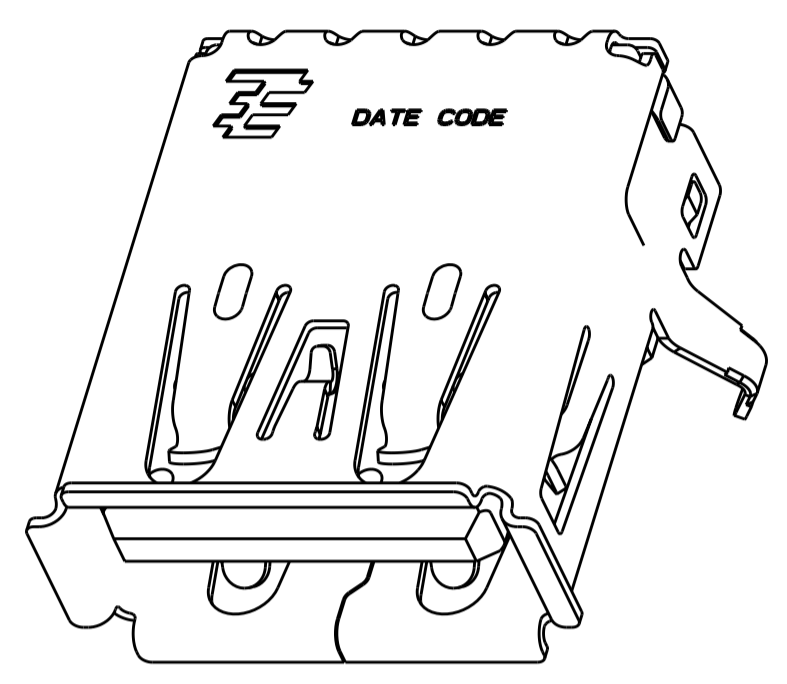
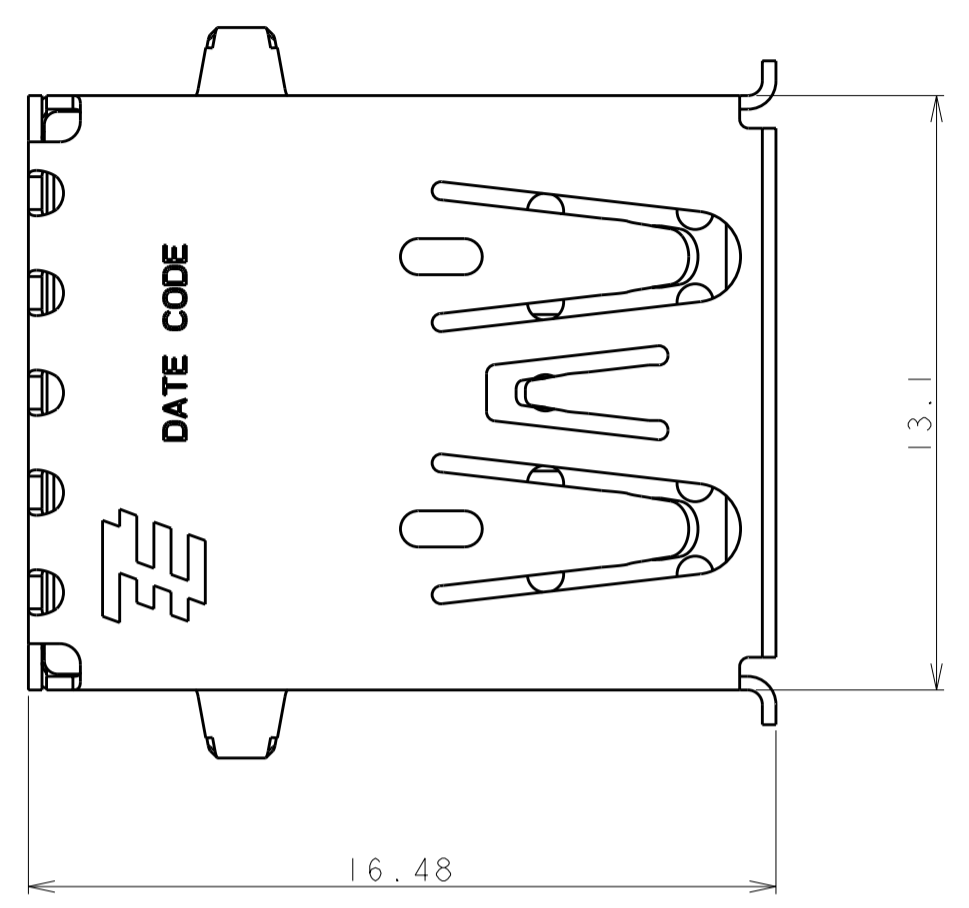


LOC		DIST		REVISIONS			
P	LTR	DESCRIPTION	DATE	DWN	APVD		
ES	00						
	A2	REVISED PER ECO-11-005033	16APR2011	RK	HMR		



△ RECOMMENDED PCB LAYOUT (CONNECTOR MOUNTING SIDE VIEW)

NOTE:  
 △ MATERIAL: SHELL AND CONTACTS: COPPER ALLOY  
 HOUSING: THERMOPLASTIC, BLUE  
 △ PLATING: CONTACT: 0.76um MIN GOLD OR GOLD FLASHED OVER 0.76um MIN Pd-Ni  
 ON MATING AREA, 2.54um MIN MATTE TIN ON SOLDER TAILS,  
 1.27um MIN NICKEL UNDER PLATING  
 SHELL: TIN OVER NICKEL PLATING  
 △ DATUM AND BASIC DIMENSIONS ESTABLISHED BY CUSTOMER  
 △ RECOMMENDED PC BOARD THICKNESS OF 1.60  
 5. PIN ASSIGNMENT:

PIN NO.	1	2	3	4	5	6	7	8	9
SIGNAL NAME	VBUS	D-	D+	GND	STDA_SSRX-	STDA_SSRX+	GND_DRAIN	STDA_SSTX-	STDA_SSTX+
REMARK	USB 2.0 CONTACT PIN				USB 3.0 CONTACT PIN				

P/N: 1932258-1

THIS DRAWING IS A CONTROLLED DOCUMENT.		DWN FRANCS.LEE 19SEP2010	TE Connectivity	
DIMENSIONS: mm		CHK MARTIN.LI 19SEP2010		
TOLERANCES UNLESS OTHERWISE SPECIFIED:		APVD STEVEN.YAO 19SEP2010	NAME	
0 PLC ±0.25		PRODUCT SPEC	USB 3.0 TYPE A RECEPTACLE STANDARD TYPE	
1 PLC ±0.25		108-115001	SIZE CAGE CODE DRAWING NO	
2 PLC ±0.25		APPLICATION SPEC	A200779C-1932258	
3 PLC ±		501-115002	RESTRICTED TO	
4 PLC ±		WEIGHT	-	
ANGLES ±3°		CUSTOMER DRAWING	SCALE NTS SHEET 1 OF 1 REV A2	
FINISH				