

SACC-CI-M12FSX-8CON-L90 - Device connector, rear mounting



1424180

<https://www.phoenixcontact.com/us/products/1424180>

Please be informed that the data shown in this PDF document is generated from our Online Catalog. Please find the complete data in the user documentation. Our General Terms of Use for Downloads are valid.



Device connector, rear mounting, Ethernet CAT6_A (10 Gbps), 8-position, Flush-type female connector, straight, M12, coding: X - data , Rear mounting, Wave soldering contacts, Alternative product in accordance with RoHS II without Exemption 6c (Pb <0.1%) item no.: 1237389

Your advantages

- Reduced mounting costs thanks to two-piece device connector
- All common pin assignments and codings available
- Easy device integration thanks to mechanical port screw connections with threaded attachment, press-in contour or direct integration in the front plate

Commercial Data

| | |
|--------------------------------------|--------------------|
| Item number | 1424180 |
| Packing unit | 1 pc |
| Minimum order quantity | 20 pc |
| Sales Key | AB23 |
| Product Key | ABQCBD |
| Catalog Page | Page 91 (C-2-2013) |
| GTIN | 4046356692663 |
| Weight per Piece (including packing) | 6.825 g |
| Weight per Piece (excluding packing) | 6.205 g |
| Customs tariff number | 85366990 |
| Country of origin | DE |

SACC-CI-M12FSX-8CON-L90 - Device connector, rear mounting



1424180

<https://www.phoenixcontact.com/us/products/1424180>

Technical Data

Notes

| | |
|--------------------|--|
| Notes on operation | The electrical and mechanical data specified assume that the connector pair is correctly locked and mounted. If the connector is unlocked and if there is a danger of contamination, the connector must be sealed using a protective cap > IP54. Influences arising from litz wires, cables or PCB assembly must also be taken into consideration. |
|--------------------|--|

Product properties

| | |
|---------------------|----------------------|
| Product type | Contact insert |
| Number of positions | 8 |
| Application | Railway applications |
| Coding | X |

Insulation characteristics

| | |
|----------------------|-----|
| Overvoltage category | III |
| Degree of pollution | 3 |

Electrical properties

| | |
|-----------------------|---------------------------|
| Rated surge voltage | 0.8 kV |
| Contact resistance | < 3 mΩ |
| Insulation resistance | > 100 MΩ |
| Nominal voltage U_N | 50 V AC (Data) 60 V DC |
| Nominal current I_N | 0.5 A (Data) |

Interfaces

| | |
|----------------------|--------------------------------------|
| Signal type/category | Ethernet CAT6 _A , 10 Gbps |
|----------------------|--------------------------------------|

Material specifications

| | |
|--|--------------|
| Flammability rating according to UL 94 | V0 |
| Contact material | Copper alloy |
| Contact surface material | Gold |
| Contact carrier material | PA6T/66 |

Connector

Connection 1

| | |
|-------------------|-----------------------------|
| Head design | Flush-type female connector |
| Head cable outlet | straight |
| Head thread type | M12 |
| Coding | X - data |

SACC-CI-M12FSX-8CON-L90 - Device connector, rear mounting



1424180

<https://www.phoenixcontact.com/us/products/1424180>

Cable/line

| | |
|----------------------|--------------------------------------|
| Signal type/category | Ethernet CAT6 _A , 10 Gbps |
| Signal type/category | Ethernet CAT6 _A , 10 Gbps |

Mechanical properties

Mechanical data

| | |
|-----------------------------|-------|
| Insertion/withdrawal cycles | ≥ 100 |
|-----------------------------|-------|

Environmental and real-life conditions

Ambient conditions

| | |
|---------------------------------|--|
| Degree of protection | IP67 (When plugged in) |
| | IP67, when plugged in |
| Ambient temperature (operation) | -40 °C ... 105 °C (Plug / socket) |
| | -40 °C ... 105 °C (without mechanical actuation) |
| | -25 °C ... 105 °C (Cable, flexible installation) |
| | -40 °C ... 105 °C (cable, fixed installation) |

Standards and regulations

| | |
|--------------------------|-----------------|
| Standards/specifications | IEC 61076-2-109 |
| Standards/specifications | EN 50155 |

Mounting

| | |
|---------------|---------------|
| Mounting type | Rear mounting |
|---------------|---------------|

Processing notes

| | |
|---------|----------------|
| Process | Wave soldering |
|---------|----------------|

Packaging specifications

| | |
|-------------------|------|
| Type of packaging | Tray |
|-------------------|------|

SACC-CI-M12FSX-8CON-L90 - Device connector, rear mounting

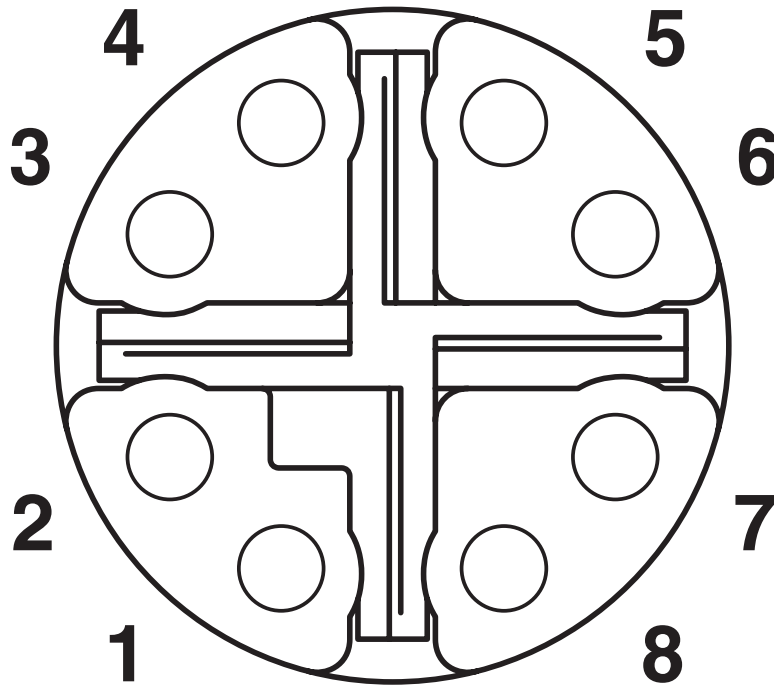


1424180

<https://www.phoenixcontact.com/us/products/1424180>

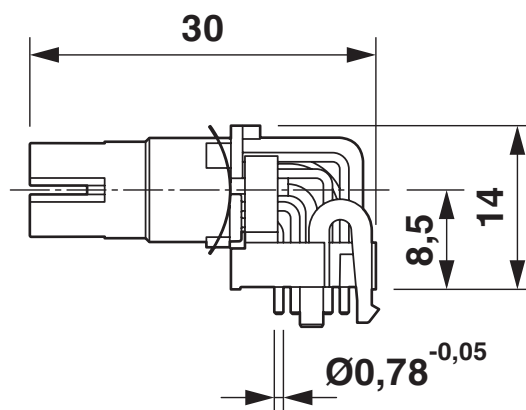
Drawings

Schematic diagram



Pin assignment M12 connector, 8-pos., view socket side

Dimensional drawing



Dimensional drawing

SACC-CI-M12FSX-8CON-L90 - Device connector, rear mounting



1424180

<https://www.phoenixcontact.com/us/products/1424180>

Approvals



cUL Recognized

Approval ID: E335024-20120308



UL Recognized

Approval ID: E335024-20120308



EAC

Approval ID: B.01687

SACC-CI-M12FSX-8CON-L90 - Device connector, rear mounting



1424180

<https://www.phoenixcontact.com/us/products/1424180>

Classifications

ECLASS

| | |
|---------------|----------|
| ECLASS-9.0 | 27440102 |
| ECLASS-10.0.1 | 27440102 |
| ECLASS-11.0 | 27440102 |
| ECLASS-12.0 | 27440116 |
| ECLASS-13.0 | 27440116 |

ETIM

| | |
|----------|----------|
| ETIM 8.0 | EC002635 |
|----------|----------|

UNSPSC

| | |
|-------------|----------|
| UNSPSC 21.0 | 39121400 |
|-------------|----------|

SACC-CI-M12FSX-8CON-L90 - Device connector, rear mounting



1424180

<https://www.phoenixcontact.com/us/products/1424180>

Environmental Product Compliance

| | |
|------------|--|
| REACH SVHC | Lead 7439-92-1 |
| China RoHS | Environmentally Friendly Use Period = 50 years |
| | For information on hazardous substances, refer to the manufacturer's declaration available under "Downloads" |

SACC-CI-M12FSX-8CON-L90 - Device connector, rear mounting



1424180

<https://www.phoenixcontact.com/us/products/1424180>

Accessories

PROT-M12 - Screw plug

1680539

<https://www.phoenixcontact.com/us/products/1680539>



An M12 screw plug for the unoccupied M12 sockets of the sensor/actuator cable, boxes and flush-type connectors

PROT-M12 SH - Screw plug

1503302

<https://www.phoenixcontact.com/us/products/1503302>



An M12 screw plug for the unoccupied M12 sockets of the shielded sensor/actuator cable, boxes and flush-type connectors

SACC-CI-M12FSX-8CON-L90 - Device connector, rear mounting



1424180

<https://www.phoenixcontact.com/us/products/1424180>

PROT-M12 FB - Screw plug

1555538

<https://www.phoenixcontact.com/us/products/1555538>



M12 high-grade steel screw plug, for unoccupied M12 sockets of the sensor/actuator cables, boxes and flush-type connectors for the food industry

SACC-M12-SCO NUT - Housing screw connection

1552243

<https://www.phoenixcontact.com/us/products/1552243>



Housing screw connection, Socket, M12-SPEEDCON, Front mounting, M12 x 1, Alternative product in accordance with RoHS II without Exemption 6c (Pb <0.1%) item no.: 1237399

SACC-CI-M12FSX-8CON-L90 - Device connector, rear mounting



1424180

<https://www.phoenixcontact.com/us/products/1424180>

SACC-DSIV-M12-NUT - Device connector front mounting

1416144

<https://www.phoenixcontact.com/us/products/1416144>



Device connector front mounting, Plug, M12, Front mounting, Alternative product in accordance with RoHS II without Exemption 6c (Pb <0.1%) item no.: 1239107

SACC-M12-SCO NUT L 90 - Housing screw connection

1432460

<https://www.phoenixcontact.com/us/products/1432460>



Housing screw connection, M12 x 1, Alternative product in accordance with RoHS II without Exemption 6c (Pb <0.1%) item no.: 1237409

SACC-CI-M12FSX-8CON-L90 - Device connector, rear mounting



1424180

<https://www.phoenixcontact.com/us/products/1424180>

SACC-BP-F-M12/M15-6-THR - Housing screw connection

1414004

<https://www.phoenixcontact.com/us/products/1414004>



Housing screw connection, Socket, M12, Rear mounting, M15 x 1, Alternative product in accordance with RoHS II without Exemption 6c (Pb <0.1%) item no.: 1239056

SACC-BP-F-M12/M15-7-THR - Housing screw connection

1414003

<https://www.phoenixcontact.com/us/products/1414003>



Housing screw connection, Socket, M12, Rear mounting, M15 x 1, Alternative product in accordance with RoHS II without Exemption 6c (Pb <0.1%) item no.: 1239055

SACC-CI-M12FSX-8CON-L90 - Device connector, rear mounting



1424180

<https://www.phoenixcontact.com/us/products/1424180>

SACC-BP-F-M12/M15-6-THR SCO - Housing screw connection

1414020

<https://www.phoenixcontact.com/us/products/1414020>



Housing screw connection, Socket, M12-SPEEDCON, Rear mounting, M15 x 1,
Alternative product in accordance with RoHS II without Exemption 6c (Pb <0.1%)
item no.: 1239057

SACC-BP-F-M12/M15-7-THR SCO - Housing screw connection

1414005

<https://www.phoenixcontact.com/us/products/1414005>



Housing screw connection, Socket, M12-SPEEDCON, Rear mounting, M15 x 1,
Alternative product in accordance with RoHS II without Exemption 6c (Pb <0.1%)
item no.: 1237398

SACC-CI-M12FSX-8CON-L90 - Device connector, rear mounting



1424180

<https://www.phoenixcontact.com/us/products/1424180>

SACC-M12 NUT PRESS - Housing screw connection

1437889

<https://www.phoenixcontact.com/us/products/1437889>



Housing screw connection, Socket, M12, Front mounting, THR solder connection, Alternative product in accordance with RoHS II without Exemption 6c (Pb <0.1%) item no.: 1237410

SACC-BP-F-M12-THR PP - Housing screw connection

1027662

<https://www.phoenixcontact.com/us/products/1027662>



Housing screw connection, Socket, M12-Push-Pull, Rear mounting, M16, THR- und Wellenlötkontakte, Item is lead-free in accordance with RoHS II without Exemption 6c (Pb <0.1%)

SACC-CI-M12FSX-8CON-L90 - Device connector, rear mounting



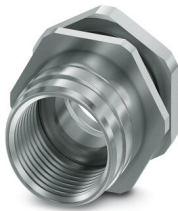
1424180

<https://www.phoenixcontact.com/us/products/1424180>

SACC-FP-F-M12-THR PP - Housing screw connection

1027678

<https://www.phoenixcontact.com/us/products/1027678>



Housing screw connection, Socket, M12-Push-Pull, Front mounting, M14 x 1, THR- und Wellenlötkontakte, Item is lead-free in accordance with RoHS II without Exemption 6c (Pb <0.1%)

Phoenix Contact 2023 © - all rights reserved
<https://www.phoenixcontact.com>

Phoenix Contact USA
586 Fulling Mill Road
Middletown, PA 17057, United States
(+717) 944-1300
info@phoenixcon.com